

## Cow Routing & Selection

The topic of parlour / cow management is of decisive importance in order to optimize the working processes in the parlour. The guiding of sick cows directly into a separate treatment area in the parlour, optimal guidance to the feed table or an orderly guidance system in the parlour are just some examples of good parlour / cow management. Efficiency in the parlour will be sustainably increased with good management in this area. This leads to the cows being exposed to less stress, which in the end has a positive effect on the yield from the herd. Below you will find a short extract from the GEA Farm Technologies program for the Royal De Boer product line which contains the following articles:



- Cow handling race
- Lift and tilt gates
- Partition barriers
- Hinges and catches parts
- One-way barriers

In this area GEA Farm Technologies does not simply offer very good, top-quality products, proven over a number of years from the Royal De Boer product range! Rather we provide you with suitable on-site solutions which are tailor-made to your special requirements, because each parlour and every herd is unique and thus always requires an individual onsite solution.

- Parlour optimisation
- Effectiveness
- Top quality
- Many years of experience



GEA Farm Technologies: Your partner for efficient parlour and cow management!

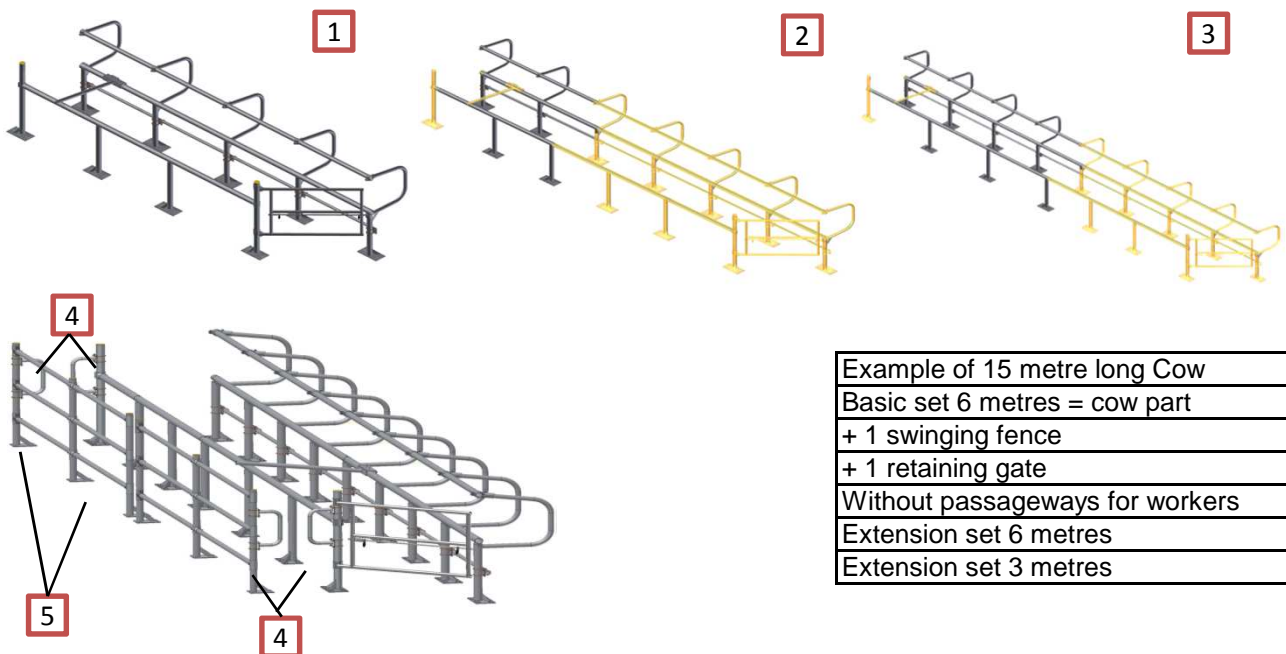
# Cow handling race

In order to be able to quickly treat cows when needed GEA Farm Technologies offers the cow handling race. The cow handling race is a specially designed fence construction to separate cows from the herd, individually or in groups – whether for insemination, treatment by a veterinarian, vaccination or periodic pregnancy control. With the handling race from Royal De Boer, handling cows is considerably easier, smoother and faster. The cow handling race is available for both concrete and slat floors. The standard handling race has a length of 6 metres and extensions are available in 3 and 6 metre lengths.



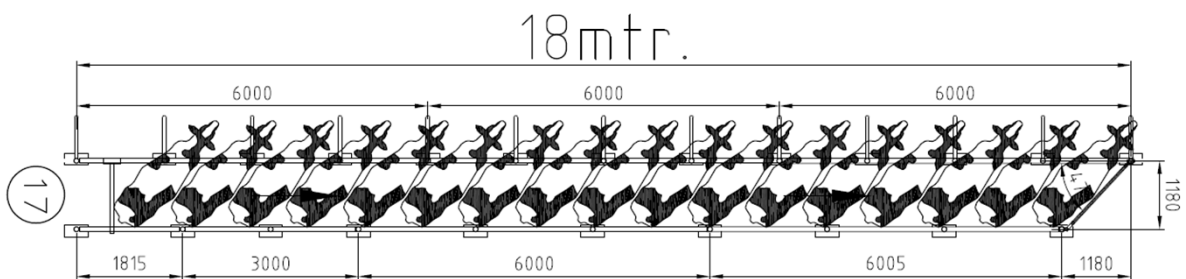
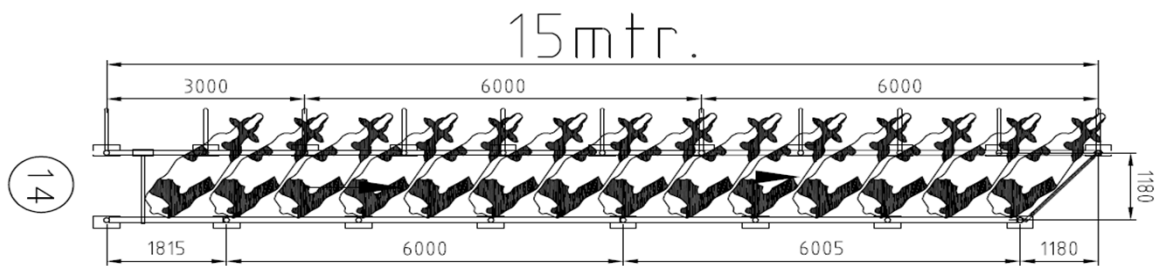
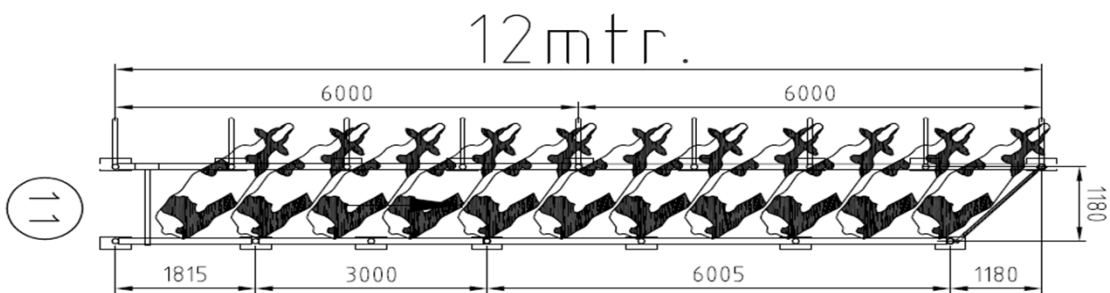
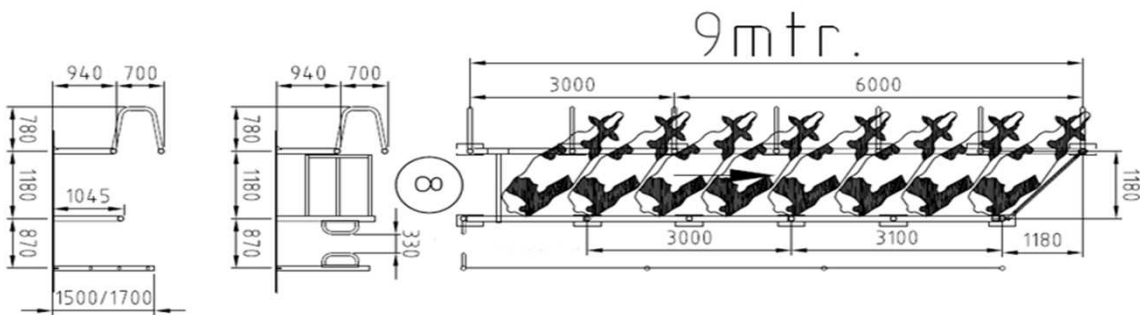
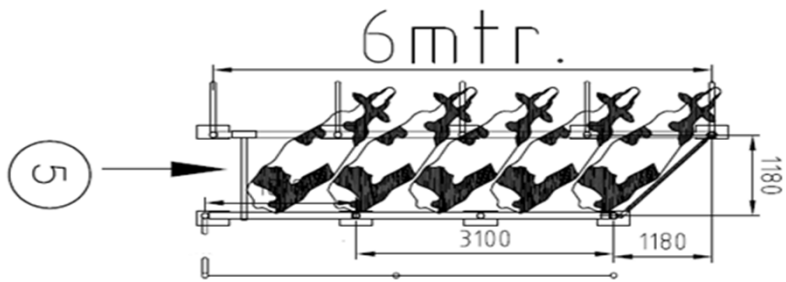
## Cow handling race

Fig.	Part number	Note	Description	Size/Dimensions
1	5550-5600-000		Handling race basic	600cm Concrete Floor
2	5550-5600-002		Handling race extension	300cm Concrete Floor
3	5550-5600-004		Handling race extension	600cm Concrete Floor
1	5550-5600-001		Handling race basic	600cm Slatted Floor
2	5550-5600-003		Handling race extension	300cm Slatted Floor
3	5550-5600-005		Handling race extension	600cm Slatted Floor
4	5550-5638-000		Passage bracket	Handling Race + Fixings
5	5510-0000-026		Support post on floor +double strut/cap	2.5" (76x3.7mm) L=150cm Hgalv.
	5580-4512-079		Anchor bolt express	M12x 80mm 1-clip Hgalv.
5	5530-1909-009		Support post on floor with double strut	2.5" (76x3.7mm) L=175cm Hgalv
	5550-1925-000		Slat anchor	Beam 160 + Bolt
	5550-1925-002		Slat anchor	Beam 90/190 + Bolt
	5510-6075-108		Tube galvanized	2" (60x2.9mm) L=600cm Hgalv.
	5510-1967-000		Cross Clamp	2" x2.5" (60x76mm) + Bolts
	5510-1476-000		T-Clamp in one piece	2.5" x2" (76x60mm) + 2 Bolts



Example of 15 metre long Cow
Basic set 6 metres = cow part
+ 1 swinging fence
+ 1 retaining gate
Without passageways for workers
Extension set 6 metres
Extension set 3 metres

# Cow handling race



# Lift gates

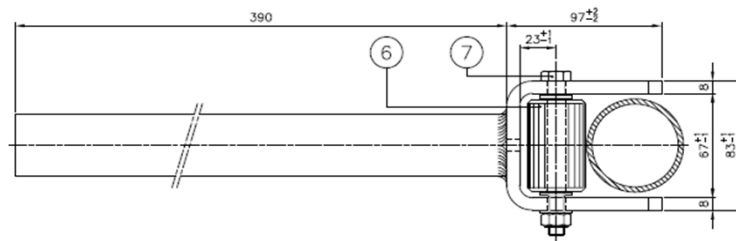
For the passageways, i.e. the areas where cows are driven lift gates have proven to be perfect tools. Their flexibility, robust nature and simple operation make quick and

Attachement to wall or support post



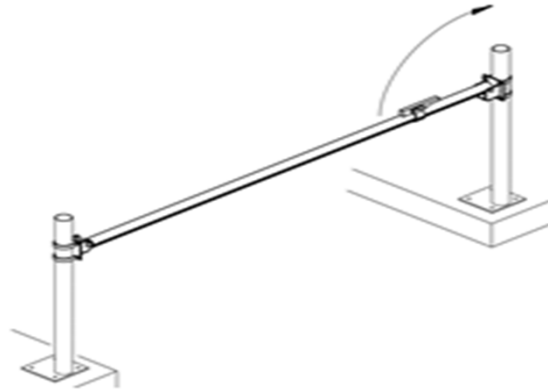
## Lift gates

Fig.	Part number	Note	Description	Size/Dimensions
<b>The Lift gates below are carried out using standard guiding. So without wheels</b>				
	5550-4297-001	Standard guiding	Lifting gate with support posts on floor	230-270cm
	5550-4297-002	Standard guiding	Lifting gate with support posts on floor	270-320cm
	5550-4297-003	Standard guiding	Lifting gate with support posts on floor	320-350cm
<b>The Lift gates below are carried out whit running wheels</b>				
	5550-4297-063	With rollers	Lifting gate with support posts on floor	230-270cm + Guidewheels
	5550-4297-064	With rollers	Lifting gate with support posts on floor	270-320cm + Guidewheels
	5550-4297-065	With rollers	Lifting gate with support posts on floor	320-350cm + Guidewheels
	5550-4297-061	With rollers	Lifting gate with support posts on floor	350-400cm + Guidewheels
	5550-4297-062	With rollers	Lifting gate with support posts on floor	400-440cm + Guidewheels
	5550-4297-053	With roller	Tube guide with guideroll	2" (60mm)
	5550-4297-030	With roller	Tube guide with locker	For 2" With Guideroll
	5550-4297-022	Without roller	Tube guide with locker	
	5550-4297-026	Without roller	Guide for Lifting gate	40x2.5 L=39cm



Wheels in the guide make operation even easier

# Barrier



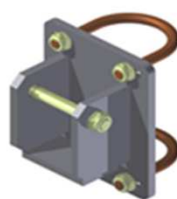
## Barrier

Fig.	Part number	Note	Description	Size/Dimensions	
1	5550-4151-000		Hinge part barrier	2" ( 60mm) Post	
1	5550-4151-001		Hinge part barrier	2.5" ( 76mm) Post	
1	5550-4151-002		Hinge part barrier	3" ( 89mm) Post	
1	5550-4151-003		Hinge part barrier	3.5" (101mm) Post	
1	5550-4151-004		Hinge part barrier	4" (114mm) Post	
2	5550-4155-000		Hinge part barrier	For Wall	
3	5550-4152-001		Catch part barrier	2" ( 60mm) Post	
3	5550-4152-002		Catch part barrier	2.5" ( 76mm) Post	
3	5550-4152-003		Catch part barrier	3" ( 89mm) Post	
3	5550-4152-004		Catch part barrier	3.5" (101mm) Post	
3	5550-4152-005		Catch part barrier	4" (114mm) Post	
4	5550-4156-000		Catch part barrier	For Wall	
5	5550-4155-001		Wall bracket Barrier		
6	5550-4151-006		Locking part Barrier		
	5510-6075-108		Tube galvanized	2" (60x2.9mm) L=600cm Hgalv.	
	5510-6040-013		Tube galvanized	2" (60x2.9mm) L=330cm Hgalv.	

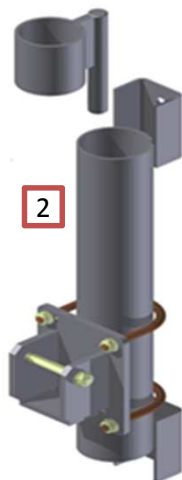
1



3



2



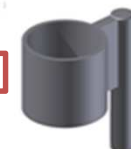
4



5



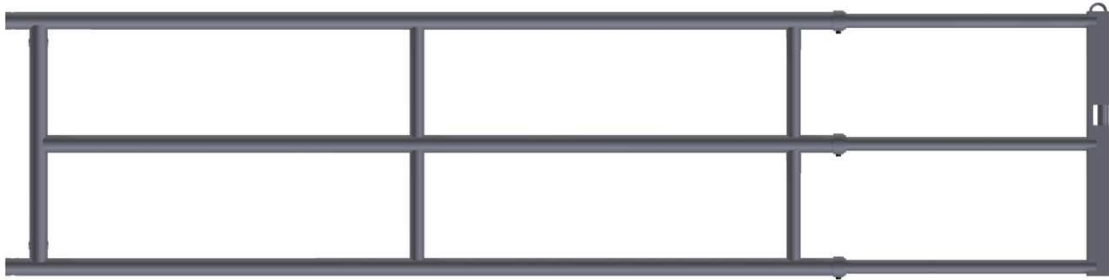
6



# Separations fences GEA Royal De Boer

## Overview separation fences

### Separation fence adjustable



### Separation fence extendable



### Separation fence adjustable with slide tubes



### Separation fence



# Separations fences GEA Royal De Boer

## Application Separation Fences GEA Royal de Boer

Age in months	Type	Dairy cows	Heifers	Young stock	Calving cows	Calves
		>22	19 t/m 22	7 t/m 18	>22	0,5 t/m 6
	H20	x	x			
	H30	x	x			
	H40	x	x	x		
	H50	x	x	x	x	x
	HV	x	x	x	x	x
		Dairy cows	Heifers	Young stock	Calving cows	Calves
Recommended fence height topside in cm Measured from the top of the bedding/floor	H20	120 - 130	120 - 130			
	H30	140 - 150	140 - 150			
	H40	140 - 150	140 - 150	140 - 150		
	H50	140 - 150	140 - 150	140 - 150	150	150
	HV	140 - 150	140 - 150	140 - 150	140	140
		Dairy cows	Heifers	Young stock	Calving cows	Calves
Recommended fence height topside in cm Measured from the top of the bedding/floor	H20	70 - 80	70 - 80			
	H30	50 - 60	50 - 60			
	H40	35 - 40	35 - 40	35 - 40		
	H50	20 - 30	20 - 30	20 - 30	20	20
	HV	30 - 40	30 - 40	30 - 40	20	20

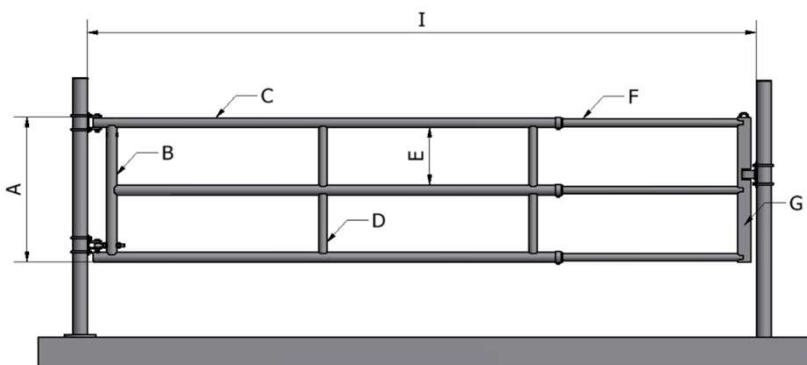
## Recommendations for partition fence Support posts

Adjustable	100-200cm	200-300cm	300-400cm	400-500cm	500-600cm	600-700cm
H20	ø76	ø76	ø76	ø76 + support / ø89	ø76 ø89 + support	
H30	ø76	ø76	ø76	ø76 + support / ø89	ø76 ø89 + support	ø76 ø89 + support
H40	ø76	ø76	ø76 + support / ø89	ø76 + support / ø89	ø76 ø89 + support	ø76 ø89 + support
H50	ø76	ø76	ø76 + support / ø89	ø76 ø89 + support	ø76 ø89 + support	ø76 ø89 + support
Extendable		200-300cm	300-450cm	400-550cm	500-650cm	
H20		ø76	ø76	ø76 + support / ø89	ø76 ø89 + support	
Extendable		200-300cm	300-500cm	400-600cm	500-700cm	600-800cm
H30		ø76	ø76 + support / ø89	ø76 ø89 + support	ø76 ø89 + support	ø76 ø89 + support
Economy	80cm	180cm	280cm	380cm	480cm	580cm
H20	ø76	ø76	ø76	ø76	ø76 + support / ø89	
H30	ø76	ø76	ø76	ø76	ø76 + support / ø89	ø76 ø89 + support
H40	ø76	ø76	ø76	ø76 + support / ø89	ø76 ø89 + support	ø76 ø89 + support
H50	ø76	ø76	ø76 + support / ø89	ø76 ø89 + support	ø76 ø89 + support	ø76 ø89 + support
Diameter in mm						

# Adjustable separation fences

## Adjustable separation fences

Fig.	Part number	Weight	Description	Size/Dimensions
<b>Warning! Order eye bolts separately, see hinges.</b>				
<b>with 2 horizontal bars</b>				
x	5550-8102-080	29,0kg	Separation fence adjustable + lockpin	H21S1: L=100-200cm H= 60cm
<b>x Warning! The minimum length given (100 cm) is after shortening the sliding part.</b>				
	5550-8102-180	39,5kg	Separation fence adjustable + lockpin	H22S1: L=200-300cm H= 60cm
	5550-8102-280	49,7kg	Separation fence adjustable + lockpin	H23S1: L=300-400cm H= 60cm
	5550-8102-380	60,1kg	Separation fence adjustable + lockpin	H24S1: L=400-500cm H= 60cm
	5550-8102-480	70,5kg	Separation fence adjustable + lockpin	H25S1: L=500-600cm H= 60cm
<b>with 3 horizontal bars</b>				
x	5550-8103-080	41,7kg	Separation fence adjustable + lockpin	H31S1: L=100-200cm H= 90cm
<b>x Warning! The minimum length given (100 cm) is after shortening the sliding part.</b>				
	5550-8103-180	54,7kg	Separation fence adjustable + lockpin	H32S1: L=200-300cm H= 90cm
	5550-8103-280	70,2kg	Separation fence adjustable + lockpin	H33S1: L=300-400cm H= 90cm
	5550-8103-380	83,2kg	Separation fence adjustable + lockpin	H34S1: L=400-500cm H= 90cm
	5550-8103-480	98,8kg	Separation fence adjustable + lockpin	H35S1: L=500-600cm H= 90cm
	5550-8103-580	111,9kg	Separation fence adjustable + lockpin	H36S1: L=600-700cm H= 90cm
<b>with 4 horizontal bars</b>				
x	5550-8104-080	52,2kg	Separation fence adjustable + lockpin	H41S1: L=100-200cm H=105cm
<b>x Warning! The minimum length given (100 cm) is after shortening the sliding part.</b>				
	5550-8104-180	69,6kg	Separation fence adjustable + lockpin	H42S1: L=200-300cm H=105cm
	5550-8104-280	89,8kg	Separation fence adjustable + lockpin	H43S1: L=300-400cm H=105cm
	5550-8104-380	107,2kg	Separation fence adjustable + lockpin	H44S1: L=400-500cm H=105cm
	5550-8104-480	127,4kg	Separation fence adjustable + lockpin	H45S1: L=500-600cm H=105cm
	5550-8104-580	144,7kg	Separation fence adjustable + lockpin	H46S1: L=600-700cm H=105cm
<b>with 5 horizontal bars</b>				
x	5550-8105-080	62,7kg	Separation fence adjustable + lockpin	H51S1: L=100-200cm H=120cm
<b>x Warning! The minimum length given (100 cm) is after shortening the sliding part.</b>				
	5550-8105-180	84,5kg	Separation fence adjustable + lockpin	H52S1: L=200-300cm H=120cm
	5550-8105-280	109,4kg	Separation fence adjustable + lockpin	H53S1: L=300-400cm H=120cm
	5550-8105-380	131,1kg	Separation fence adjustable + lockpin	H54S1: L=400-500cm H=120cm
	5550-8105-480	155,9kg	Separation fence adjustable + lockpin	H55S1: L=500-600cm H=120cm
	5550-8105-580	177,7kg	Separation fence adjustable + lockpin	H56S1: L=600-700cm H=120cm



Type	A	B	C	D	E	F	G	I
H20	60 cm	2" (60mm)	2" (60mm)	1,5" (48mm)	48 cm	1,5" (48mm)	80x50 mm	= L
H30	90 cm	2" (60mm)	2" (60mm)	1,5" (48mm)	36 cm	1,5" (48mm)	80x50 mm	= L
H40	105 cm	2" (60mm)	2" (60mm)	1,5" (48mm)	27 cm	1,5" (48mm)	80x50 mm	= L
H50	120 cm	2" (60mm)	2" (60mm)	1,5" (48mm)	22,5 cm	1,5" (48mm)	80x50 mm	= L

For application notes for support posts, please see table.



# Adjustable separation fences

## Hinges reajustable

Fig.	Part number	Note	Description	Size/Dimensions
<b>Including eye bolts.</b>				
1	5550-4285-420		Set hinges readjustable	For Wall
1	5550-4285-422		Set hinges readjustable	2,5"
1	5550-4285-424		Set hinges readjustable	3"
1	5550-4285-426		Set hinges readjustable	3,5"
1	5550-4285-428		Set hinges readjustable	4"

## Hinges

Fig.	Part number	Note	Description	Size/Dimensions
2	5550-4288-001		Set hinges	On wall
2	5550-4288-003		Combiscraper arm with flaps and ru	2" ( 60mm) + Fixings
2	5550-4288-004		Set hinges on post	2.5" ( 76mm) + Fixings
2	5550-4288-005		Set hinges on post	3" ( 89mm) + Fixings
2	5550-4288-006		Set hinges on post	3.5" (101mm) + Fixings
2	5550-4288-007		Set hinges on post	4" (114mm) + Fixings



## Catches

Fig.	Part number	Note	Description	Size/Dimensions
3	5550-4285-500		Locking Stirrup	For Wall
3	5550-4285-502		Locking Stirrup	2"
3	5550-4285-504		Locking Stirrup	2.5"
3	5550-4285-506		Locking Stirrup	3"



## Cable tensionset for separation fence

Fig.	Part number	Note	Description	Size/Dimensions	Price €
3	5550-4285-060		#N/B	#N/B	#N/B
4	5550-4285-065		#N/B	#N/B	#N/B
5	5550-4285-070		#N/B	#N/B	#N/B
6	5550-4285-075		#N/B	#N/B	#N/B
7	5550-4285-080		#N/B	#N/B	#N/B

## Support wheel

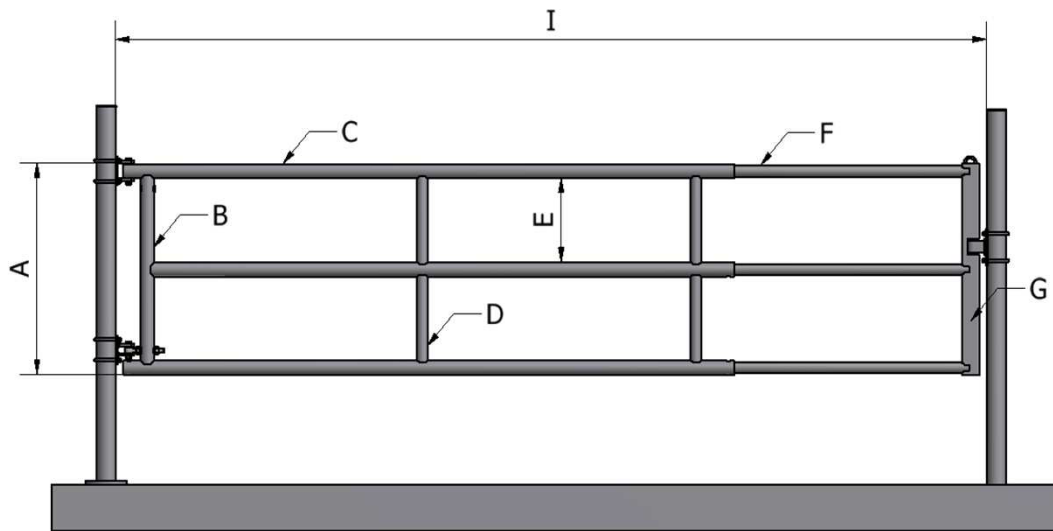
Fig.	Part number	Note	Description	Size/Dimensions
5	5550-7219-006		Support wheel for partition barrier	With Air Tire + Fixings



# Separation fences extendable

## Separation fences extendable

Fig.	Part number	Weight	Description	Size/Dimensions
<b>Warning! Order eye bolts separately, see hinges.</b>				
<b>with 2 horizontal bars</b>				
	5550-8112-180	45,5kg	Separation fence extendable + lockpin	H22S1: L=200-300cm H= 60cm
	5550-8112-280	55,8kg	Separation fence extendable + lockpin	H23S2: L=300-450cm H= 60cm
	5550-8112-380	66,2kg	Separation fence extendable + lockpin	H24S2: L=400-550cm H= 60cm
	5550-8112-480	76,6kg	Separation fence extendable + lockpin	H25S2: L=550-560cm H= 60cm
<b>with 3 horizontal bars</b>				
	5550-8113-180	64,3kg	Separation fence extendable + lockpin	H32S1: L=200-300cm H= 90cm
	5550-8113-280	79,7kg	Separation fence extendable + lockpin	H33S2: L=300-500cm H= 90cm
	5550-8113-380	92,8kg	Separation fence extendable + lockpin	H34S2: L=400-600cm H= 90cm
	5550-8113-480	108,4kg	Separation fence extendable + lockpin	H35S2: L=500-700cm H= 90cm
	5550-8113-580	121,4kg	Separation fence extendable + lockpin	H36S2: L=600-800cm H= 90cm



Type	A	B	C	D	E	F	G	I
H20	60 cm	2" (60mm)	2" (60mm)	1,5" (48mm)	48 cm	1,5" (48mm)	80x50 mm	= L
H30	90 cm	2" (60mm)	2" (60mm)	1,5" (48mm)	36 cm	1,5" (48mm)	80x50 mm	= L

For application notes for support posts, please see table.

# Separation fences extendable

## Hinges reajustable

Fig.	Part number	Note	Description	Size/Dimensions
<b>Including eye bolts.</b>				
1	5550-4285-420		Set hinges reajustable	For Wall
1	5550-4285-422		Set hinges reajustable	2,5"
1	5550-4285-424		Set hinges reajustable	3"
1	5550-4285-426		Set hinges reajustable	3,5"
1	5550-4285-428		Set hinges reajustable	4"

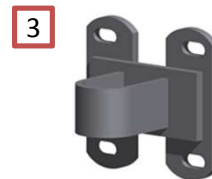
## Hinges

Fig.	Part number	Note	Description	Size/Dimensions
2	5550-4288-001		Set hinges	On wall
2	5550-4288-003		Combiscraper arm with flaps and rubber	2" ( 60mm) + Fixings
2	5550-4288-004		Set hinges on post	2.5" ( 76mm) + Fixings
2	5550-4288-005		Set hinges on post	3" ( 89mm) + Fixings
2	5550-4288-006		Set hinges on post	3.5" (101mm) + Fixings
2	5550-4288-007		Set hinges on post	4" (114mm) + Fixings



## Catches

Fig.	Part number	Note	Description	Size/Dimensions
3	5550-4285-500		Locking Stirrup	For Wall
3	5550-4285-502		Locking Stirrup	2"
3	5550-4285-504		Locking Stirrup	2.5"
3	5550-4285-506		Locking Stirrup	3"



## Support wheel

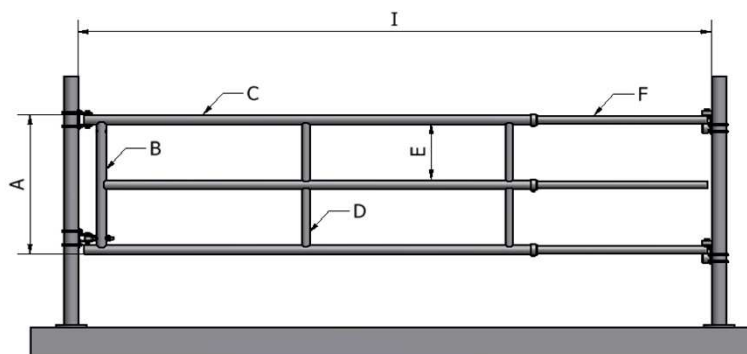
Fig.	Part number	Note	Description	Size/Dimensions
4	5550-7219-006		Support wheel for partition barrier	With Air Tire + Fixings



# Separation fences with catch lock

## Separation fences with catch lock

Fig.	Part number	Weight	Description	Size/Dimensions
<b>Warning! Order eye bolts separately, see hinges.</b>				
<b>with 2 horizontal bars</b>				
x	5550-8122-080	22,0kg	Separation fence adjustable + slidetubes	H21S1: L=100-200cm H= 60cm
<b>x Warning! The minimum length given (100 cm) is after shortening the sliding part.</b>				
	5550-8122-180	32,4kg	Separation fence adjustable + slidetubes	H22S1: L=200-300cm H= 60cm
	5550-8122-280	42,7kg	Separation fence adjustable + slidetubes	H23S1: L=300-400cm H= 60cm
	5550-8122-380	53,1kg	Separation fence adjustable + slidetubes	H24S1: L=400-500cm H= 60cm
	5550-8122-480	63,5kg	Separation fence adjustable + slidetubes	H25S1: L=500-600cm H= 60cm
<b>with 3 horizontal bars</b>				
x	5550-8123-080	32,7kg	Separation fence adjustable + slidetubes	H31S1: L=100-200cm H= 90cm
<b>x Warning! The minimum length given (100 cm) is after shortening the sliding part.</b>				
	5550-8123-180	48,5kg	Separation fence adjustable + slidetubes	H32S1: L=200-300cm H= 90cm
	5550-8123-280	61,2kg	Separation fence adjustable + slidetubes	H33S1: L=300-400cm H= 90cm
	5550-8123-380	74,3kg	Separation fence adjustable + slidetubes	H34S1: L=400-500cm H= 90cm
	5550-8123-480	89,9kg	Separation fence adjustable + slidetubes	H35S1: L=500-600cm H= 90cm
	5550-8123-580	102,9kg	Separation fence adjustable + slidetubes	H36S1: L=600-700cm H= 90cm
<b>with 4 horizontal bars</b>				
x	5550-8124-080	42,0kg	Separation fence adjustable + slidetubes	H41S1: L=100-200cm H=105cm
<b>x Warning! The minimum length given (100 cm) is after shortening the sliding part.</b>				
	5550-8124-180	59,3kg	Separation fence adjustable + slidetubes	H42S1: L=200-300cm H=105cm
	5550-8124-280	79,6kg	Separation fence adjustable + slidetubes	H43S1: L=300-400cm H=105cm
	5550-8124-380	97,0kg	Separation fence adjustable + slidetubes	H44S1: L=400-500cm H=105cm
	5550-8124-480	117,1kg	Separation fence adjustable + slidetubes	H45S1: L=500-600cm H=105cm
	5550-8124-580	134,5kg	Separation fence adjustable + slidetubes	H46S1: L=600-700cm H=105cm
<b>with 5 horizontal bars</b>				
x	5550-8125-080	51,3kg	Separation fence adjustable + slidetubes	H51S1: L=100-200cm H=120cm
<b>x Warning! The minimum length given (100 cm) is after shortening the sliding part.</b>				
	5550-8125-180	73,3kg	Separation fence adjustable + slidetubes	H52S1: L=200-300cm H=120cm
	5550-8125-280	134,2kg	Separation fence adjustable + slidetubes	H53S1: L=300-400cm H=120cm
	5550-8125-380	119,6kg	Separation fence adjustable + slidetubes	H54S1: L=400-500cm H=120cm
	5550-8125-480	144,5kg	Separation fence adjustable + slidetubes	H55S1: L=500-600cm H=120cm
	5550-8125-580	166,3kg	Separation fence adjustable + slidetubes	H56S1: L=600-700cm H=120cm



Type	A	B	C	D	E	F	G	I
H20	60 cm	2" (60mm)	2" (60mm)	1,5" (48mm)	48 cm	1,5" (48mm)	80x50 mm	= L
H30	90 cm	2" (60mm)	2" (60mm)	1,5" (48mm)	36 cm	1,5" (48mm)	80x50 mm	= L
H40	105 cm	2" (60mm)	2" (60mm)	1,5" (48mm)	27 cm	1,5" (48mm)	80x50 mm	= L
H50	120 cm	2" (60mm)	2" (60mm)	1,5" (48mm)	22,5 cm	1,5" (48mm)	80x50 mm	= L

For application notes for support posts, please see table.

# Separation fences with catch lock

## Hinges reajustable

Fig.	Part number	Note	Description	Size/Dimensions
<b>Including eye bolts.</b>				
1	5550-4285-420		Set hinges readjustable	For Wall
1	5550-4285-422		Set hinges readjustable	2,5"
1	5550-4285-424		Set hinges readjustable	3"
1	5550-4285-426		Set hinges readjustable	3,5"
1	5550-4285-428		Set hinges readjustable	4"

## Hinges

Fig.	Part number	Note	Description	Size/Dimensions
2	5550-4288-001		Set hinges	On wall
3	5550-4288-003		Combiscraper arm with flaps and	2" ( 60mm) + Fixings
2	5550-4288-004		Set hinges on post	2.5" ( 76mm) + Fixings
2	5550-4288-005		Set hinges on post	3" ( 89mm) + Fixings
2	5550-4288-006		Set hinges on post	3.5" (101mm) + Fixings
2	5550-4288-007		Set hinges on post	4" (114mm) + Fixings



## Catches

Fig.	Part number	Note	Description	Size/Dimensions
<b>At least 2 latches per separations fence.</b>				
3	5550-4289-012		Catch lock	On Wall
3	5550-4289-013		Catch with snapper on post	2" ( 60mm)
3	5550-4289-014		Catch with snapper on post	2.5" ( 76mm)
4	5550-4289-015		Catch with snapper on post	3" ( 89mm)
4	5550-4289-016		Catch with snapper on post	3.5" (101mm)
4	5550-4289-017		Catch with snapper on post	4" (114mm)
	5550-4289-010		Combiscraper arm with flaps and	61x13x3mm SSt.



## Support wheel

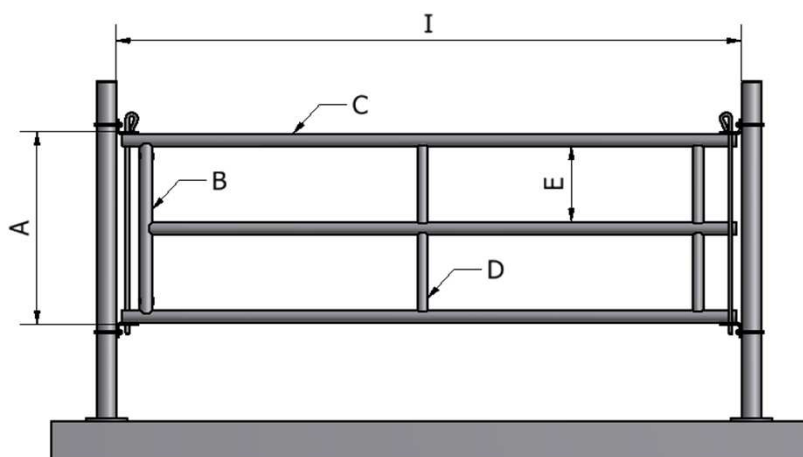
Fig.	Part number	Note	Description	Size/Dimensions
5	5550-7219-006		Support wheel for partition barrier	With Air Tire + Fixings



# Separation fences economy

## Separation fences economy

Fig.	Part number	Note	Description	Size/Dimensions
<b>with 2 horizontal bars</b>				
	5550-8221-080	11,2kg	Separation fence 2 horizontal bars	H21: L= 80cm H= 60cm Hgalv.
	5550-8222-180	21,6kg	Separation fence 2 horizontal bars	H22: L=180cm H= 60cm Hgalv.
	5550-8223-280	31,9kg	Separation fence 2 horizontal bars	H23: L=280cm H= 60cm Hgalv.
	5550-8224-380	42,3kg	Separation fence 2 horizontal bars	H24: L=380cm H= 60cm Hgalv.
	5550-8225-480	52,7kg	Separation fence 2 horizontal bars	H25: L=480cm H= 60cm Hgalv.
<b>with 3 horizontal bars</b>				
	5550-8231-080	16,5kg	Separation fence 3 horizontal bars	H31: L= 80cm H= 90cm Hgalv.
	5550-8232-180	29,6kg	Separation fence 3 horizontal bars	H32: L=180cm H= 90cm Hgalv.
	5550-8233-280	45,0kg	Separation fence 3 horizontal bars	H33: L=280cm H= 90cm Hgalv.
	5550-8234-380	58,1kg	Separation fence 3 horizontal bars	H34: L=380cm H= 90cm Hgalv.
	5550-8235-480	73,7kg	Separation fence 3 horizontal bars	H35: L=480cm H= 90cm Hgalv.
	5550-8236-580	86,7kg	Separation fence 3 horizontal bars	H36: L=580cm H= 90cm Hgalv.
<b>with 4 horizontal bars</b>				
	5550-8241-080	20,5kg	Separation fence 4 horizontal bars	H41: L= 80cm H=105cm Hgalv.
	5550-8242-180	37,8kg	Separation fence 4 horizontal bars	H42: L=180cm H=105cm Hgalv.
	5550-8243-280	58,1kg	Separation fence 4 horizontal bars	H43: L=280cm H=105cm Hgalv.
	5550-8244-380	75,5kg	Separation fence 4 horizontal bars	H44: L=380cm H=105cm Hgalv.
	5550-8245-480	95,6kg	Separation fence 4 horizontal bars	H45: L=480cm H=105cm Hgalv.
	5550-8246-580	113,0kg	Separation fence 4 horizontal bars	H46: L=580cm H=105cm Hgalv.
<b>with 5 horizontal bars</b>				
	5550-8251-080	24,4kg	Separation fence 5 horizontal bars	H51: L= 80cm H=120cm Hgalv.
	5550-8252-180	46,1kg	Separation fence 5 horizontal bars	H52: L=180cm H=120cm Hgalv.
	5550-8253-280	71,0kg	Separation fence 5 horizontal bars	H53: L=280cm H=120cm Hgalv.
	5550-8254-380	92,7kg	Separation fence 5 horizontal bars	H54: L=380cm H=120cm Hgalv.
	5550-8255-480	117,6kg	Separation fence 5 horizontal bars	H55: L=480cm H=120cm Hgalv.
	5550-8256-580	139,4kg	Separation fence 5 horizontal bars	H56: L=580cm H=120cm Hgalv.



Type	A	B	C	D	E	I
H20	60 cm	2" (60mm)	2" (60mm)	1,5" (48mm)	48 cm	= L+4,5cm
H30	90 cm	2" (60mm)	2" (60mm)	1,5" (48mm)	36 cm	= L+4,5cm
H40	105 cm	2" (60mm)	2" (60mm)	1,5" (48mm)	27 cm	= L+4,5cm
H50	120 cm	2" (60mm)	2" (60mm)	1,5" (48mm)	22,5 cm	= L+4,5cm

For application notes for support posts, please see table.

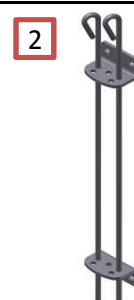
# Separation fences economy

## Hinges

Fig.	Part number	Note	Description	Size/Dimensions
<b>For 2 horizontal bars</b>				
1	5550-4285-126		Set hinges	H20 67cm For Wall
1	5550-4285-136		Set hinges	H20 67cm For 2" Tubes
1	5550-4285-146		Set hinges	H20 67cm For 2.5" Tubes
1	5550-4285-156		Set hinges	H20 67cm For 3" Tubes
<b>For 3 horizontal bars</b>				
1	5550-4285-124		Set hinges	H30 97cm For Wall
1	5550-4285-134		Set hinges	H30 97cm For 2" Tubes
1	5550-4285-144		Set hinges	H30 97cm For 2.5" Tubes
1	5550-4285-154		Set hinges	H30 97cm For 3" Tubes
<b>For 4 horizontal bars</b>				
1	5550-4285-122		Set hinges	H40/HV 115cm For Wall
1	5550-4285-132		Set hinges	H40/HV 115cm For 2" Tubes
1	5550-4285-142		Set hinges	H40/HV 115cm For 2.5" Tubes
1	5550-4285-152		Set hinges	H40/HV 115cm For 3" Tubes
<b>For 5 horizontal bars</b>				
1	5550-4285-120		Set hinges	H50 127cm For Wall
1	5550-4285-130		Set hinges	H50 127cm For 2" Tubes
1	5550-4285-140		Set hinges	H50 127cm For 2.5" Tubes
1	5550-4285-150		Set hinges	H50 127cm For 3" Tubes

## Catches

Fig.	Part number	Note	Description	Size/Dimensions
<b>For 2 horizontal bars</b>				
2	5550-4285-326		Set Lockingpieces	H20 67cm For Wall
2	5550-4285-336		Set Lockingpieces	H20 67cm For 2" Tubes
2	5550-4285-346		Set Lockingpieces	H20 67cm For 2.5" Tubes
2	5550-4285-356		Set Lockingpieces	H20 67cm For 3" Tubes
<b>For 3 horizontal bars</b>				
2	5550-4285-324		Set Lockingpieces	H30 97cm For Wall
2	5550-4285-334		Set Lockingpieces	H30 97cm For 2" Tubes
2	5550-4285-344		Set Lockingpieces	H30 97cm For 2.5" Tubes
2	5550-4285-354		Set Lockingpieces	H30 97cm For 3" Tubes
<b>For 4 horizontal bars</b>				
2	5550-4285-322		Set Lockingpieces	H40/HV 115cm For Wall
2	5550-4285-332		Set Lockingpieces	H40/HV 115cm For 2" Tubes
2	5550-4285-342		Set Lockingpieces	H40/HV 115cm For 2.5" Tubes
2	5550-4285-352		Set Lockingpieces	H40/HV 115cm For 3" Tubes
<b>For 5 horizontal bars</b>				
2	5550-4285-320		Set Lockingpieces	H50 127cm For Wall
2	5550-4285-330		Set Lockingpieces	H50 127cm For 2" Tubes
2	5550-4285-340		Set Lockingpieces	H50 127cm For 2.5" Tubes
2	5550-4285-350		Set Lockingpieces	H50 127cm For 3" Tubes

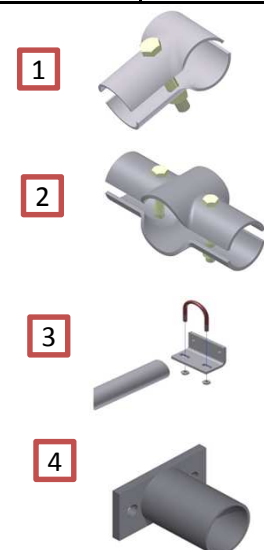
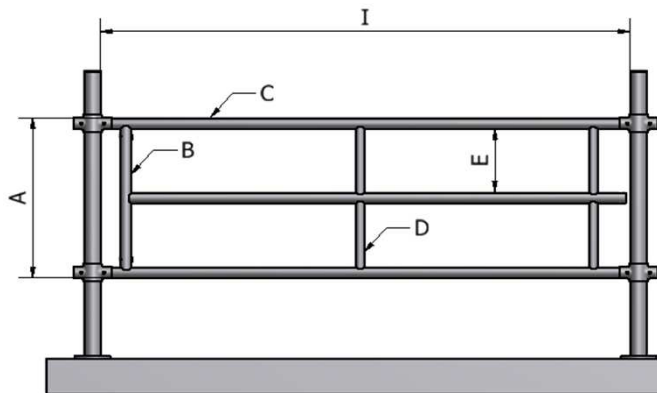


# Separations fences fixed

## Separations fences fixed

Fig.	Part number	Note	Description	Size/Dimensions
<b>with 2 horizontal bars</b>				
	5550-8221-080	11,2kg	Separation fence 2 horizontal bars	H21: L= 80cm H= 60cm Hgalv.
	5550-8222-180	21,6kg	Separation fence 2 horizontal bars	H22: L=180cm H= 60cm Hgalv.
	5550-8223-280	31,9kg	Separation fence 2 horizontal bars	H23: L=280cm H= 60cm Hgalv.
	5550-8224-380	42,3kg	Separation fence 2 horizontal bars	H24: L=380cm H= 60cm Hgalv.
	5550-8225-480	52,7kg	Separation fence 2 horizontal bars	H25: L=480cm H= 60cm Hgalv.
<b>with 3 horizontal bars</b>				
	5550-8231-080	16,5kg	Separation fence 3 horizontal bars	H31: L= 80cm H= 90cm Hgalv.
	5550-8232-180	29,6kg	Separation fence 3 horizontal bars	H32: L=180cm H= 90cm Hgalv.
	5550-8233-280	45,0kg	Separation fence 3 horizontal bars	H33: L=280cm H= 90cm Hgalv.
	5550-8234-380	58,1kg	Separation fence 3 horizontal bars	H34: L=380cm H= 90cm Hgalv.
	5550-8235-480	73,7kg	Separation fence 3 horizontal bars	H35: L=480cm H= 90cm Hgalv.
	5550-8236-580	86,7kg	Separation fence 3 horizontal bars	H36: L=580cm H= 90cm Hgalv.
<b>with 4 horizontal bars</b>				
	5550-8241-080	20,5kg	Separation fence 4 horizontal bars	H41: L= 80cm H=105cm Hgalv.
	5550-8242-180	37,8kg	Separation fence 4 horizontal bars	H42: L=180cm H=105cm Hgalv.
	5550-8243-280	58,1kg	Separation fence 4 horizontal bars	H43: L=280cm H=105cm Hgalv.
	5550-8244-380	75,5kg	Separation fence 4 horizontal bars	H44: L=380cm H=105cm Hgalv.
	5550-8245-480	95,6kg	Separation fence 4 horizontal bars	H45: L=480cm H=105cm Hgalv.
	5550-8246-580	113,0kg	Separation fence 4 horizontal bars	H46: L=580cm H=105cm Hgalv.
<b>with 5 horizontal bars</b>				
	5550-8251-080	24,4kg	Separation fence 5 horizontal bars	H51: L= 80cm H=120cm Hgalv.
	5550-8252-180	46,1kg	Separation fence 5 horizontal bars	H52: L=180cm H=120cm Hgalv.
	5550-8253-280	71,0kg	Separation fence 5 horizontal bars	H53: L=280cm H=120cm Hgalv.
	5550-8254-380	92,7kg	Separation fence 5 horizontal bars	H54: L=380cm H=120cm Hgalv.
	5550-8255-480	117,6kg	Separation fence 5 horizontal bars	H55: L=480cm H=120cm Hgalv.
	5550-8256-580	139,4kg	Separation fence 5 horizontal bars	H56: L=580cm H=120cm Hgalv.

Fig.	Part number	Note	Description	Size/Dimensions
1	5510-1666-000		T-Clamp	2" x2" (60x60mm) + Bolt
2	5510-1966-001		Cross Clamp	2" x2" (60x60mm) + Bolts
1	5510-1676-000		T-Clamp	2.5" x2" (76x60mm) + Bolt
2	5510-1967-000		Cross Clamp	2" x2.5" (60x76mm) + Bolts
3	5550-6039-002		Wallbracket for bar fixed	2 (60mm)
4	5550-4285-001		Wallbracket for bar fixed	2" (60mm)



Type	A	B	C	D	E	I
H20	60 cm	2" (60mm)	2" (60mm)	1,5" (48mm)	48 cm	= L+5,5cm
H30	90 cm	2" (60mm)	2" (60mm)	1,5" (48mm)	36 cm	= L+5,5cm
H40	105 cm	2" (60mm)	2" (60mm)	1,5" (48mm)	27 cm	= L+5,5cm
H50	120 cm	2" (60mm)	2" (60mm)	1,5" (48mm)	22,5 cm	= L+5,5cm



## Separations fences with vertical tubes

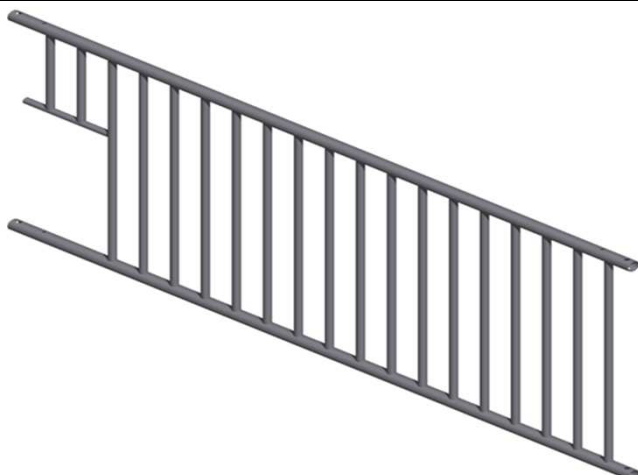
### Separations fences with vertical tubes

Fig.	Part number	Note	Description	Size/Dimensions
	5550-4294-004		Partition fence vertical bars	1.5" (48mm) 150cm H=109cm
	5550-4294-005		Partition fence vertical bars	1.5" (48mm) 250cm H=109cm
	5550-4294-007		Partition fence vertical bars	1.5" (48mm) 275cm H=109cm
	5550-4294-009		Partition fence vertical bars	1.5" (48mm) 325cm H=109cm
	5550-4294-010		Partition fence vertical bars	1.5" (48mm) 350cm H=109cm
	5550-4294-012		Partition fence vertical bars	1.5" (48mm) 400cm H=109cm
	5550-4294-013		Partition fence vertical bars	1.5" (48mm) 450cm H=109cm
	5550-4294-003		Locking tube for partition barriers	1.5" (48mm) For 3/4" Bars



### Partition fences with vertical bars and opening for drinking bowl

Fig.	Part number	Note	Description	Size/Dimensions
	5550-4294-006		Partition fence vertical bars	1.5" (48mm) 250cm H=109cm +Dr.op
	5550-4294-008		Partition fence vertical bars	1.5" (48mm) 275cm H=109cm +Dr.op
	5530-4294-000		Partition fence vertical bars	1.5" (48mm) 325cm H=109cm +Dr.op
	5550-4294-011		Partition fence vertical bars	1.5" (48mm) 350cm H=109cm +Dr.op
	5530-4294-001		Partition fence vertical bars	1.5" (48mm) 400cm H=109cm +Dr.op
	5530-4294-002		Partition fence vertical bars	1.5" (48mm) 450cm H=109cm +Dr.op
	5550-4294-003		Locking tube for partition barriers	1.5" (48mm) For 3/4" Bars



# Separations fences with vertical tubes

## Hinges

Fig.	Part number	Note	Description	Size/Dimensions
1	5550-4288-001		Set hinges	On wall
1	5550-4288-004		Set hinges on post	2.5" ( 76mm) + Fixings
1	5550-4288-005		Set hinges on post	3" ( 89mm) + Fixings
1	5550-4288-006		Set hinges on post	3.5" (101mm) + Fixings
1	5550-4288-007		Set hinges on post	4" (114mm) + Fixings

## Catches

Fig.	Part number	Note	Description	Size/Dimensions
2	5550-4289-012		Catch lock	On Wall
2	5550-4289-013		Catch with snapper on post	2" ( 60mm)
2	5550-4289-014		Catch with snapper on post	2.5" ( 76mm)
3	5550-4289-015		Catch with snapper on post	3" ( 89mm)
3	5550-4289-016		Catch with snapper on post	3.5" (101mm)
3	5550-4289-017		Catch with snapper on post	4" (114mm)
	5550-4289-010		Combiscraper arm with flaps and	61x13x3mm SSt.



## Economy hinges and catches

Fig.	Part number	Note	Description	Size/Dimensions
4	5550-4285-122		Set hinges	H40/HV 115cm For Wall
4	5550-4285-132		Set hinges	H40/HV 115cm For 2" Tubes
4	5550-4285-142		Set hinges	H40/HV 115cm For 2.5" Tubes
4	5550-4285-152		Set hinges	H40/HV 115cm For 3" Tubes
5	5550-4285-322		Set Lockingpieces	H40/HV 115cm For Wall
5	5550-4285-332		Set Lockingpieces	H40/HV 115cm For 2" Tubes
5	5550-4285-342		Set Lockingpieces	H40/HV 115cm For 2.5" Tubes
5	5550-4285-352		Set Lockingpieces	H40/HV 115cm For 3" Tubes

## Wall mounting strip

Fig.	Part number	Note	Description	Size/Dimensions
6	5550-7675-021		Wall hinge strip	For Fenceheight 109cm

## Hinges reajustable

Fig.	Part number	Note	Description	Size/Dimensions
7	5550-7675-016			0 Fenceheight 109cm On 2.5" Post

## Hinges reajustable

Fig.	Part number	Note	Description	Size/Dimensions
8	5550-4284-000		Adjustable hinge part	For Tube 1.5" (48mm)
	5550-4283-000		Set adjustable hinges	For Tube 1.5" (48mm)

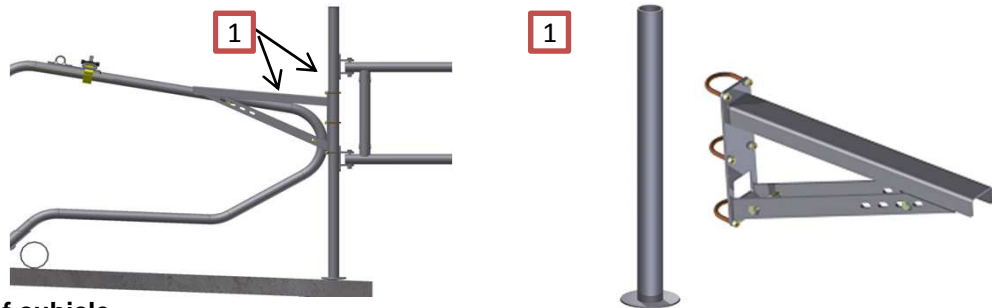


## Moveable bracket with connection to separation fences

Moveable and pivotable

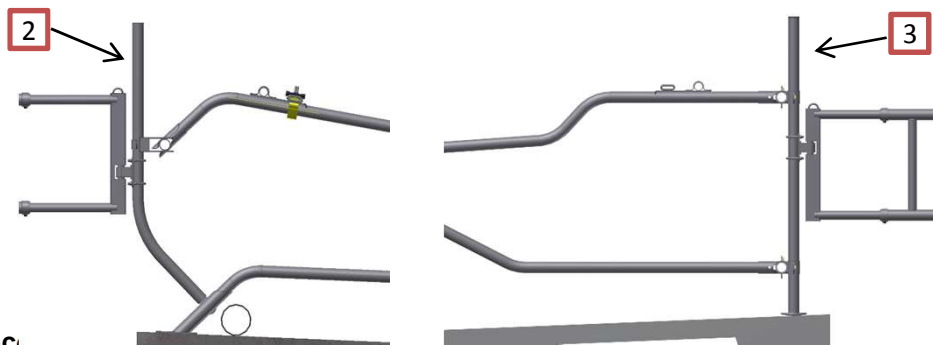
Coupling for back of cubicle

Fig.	Part number	Note	Description	Size/Dimensions
<b>Catches and hinges order separately (2" 60mm)</b>				
1	5550-4285-700		Coupling rear cubicle division	CC/2D/Floating R/Basic >170cm



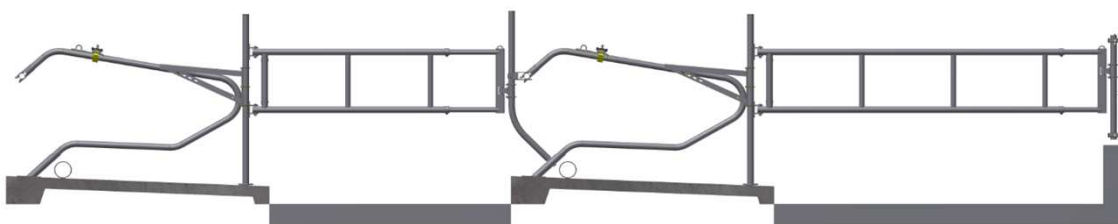
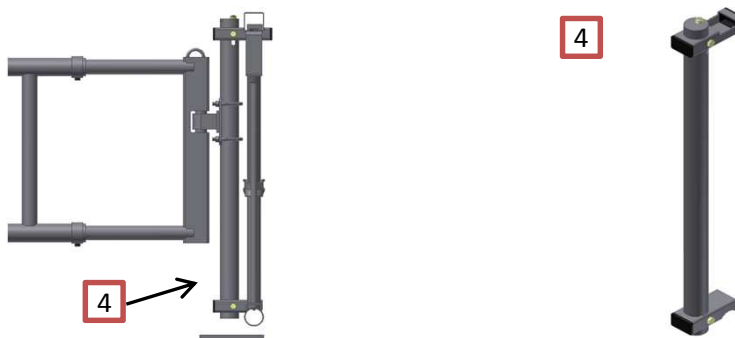
Coupling for front of cubicle

Fig.	Part number	Note	Description	Size/Dimensions
<b>Catches and hinges order separately (2" 60mm)</b>				
2	5550-4285-705		Coupling front cubicle division	2D Optima
	5550-4285-710		Coupling front cubicle division	2D High Neckrail
3	5550-4285-715	X	Coupling front cubicle division	Combi Comfort/Floating R/Basic
<b>X Cubicles mounted on horizontal bars.</b>				



Coupling for feedfence

Fig.	Part number	Note	Description	Size/Dimensions
<b>Separation fences and catches order separately (2" 60 mm). Warning: catches only.</b>				
4	5530-7000-095		Coupling feedfence	Twist&Lock And Classic Lock



**Moveable bracket is only suitable for separations fences with two and three horizontal bars. Max.length 400cm**

# Accessories

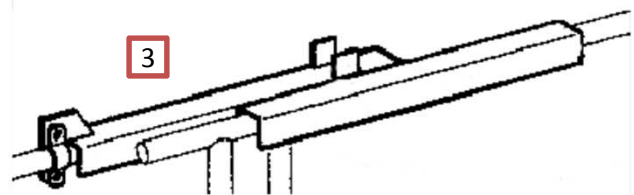
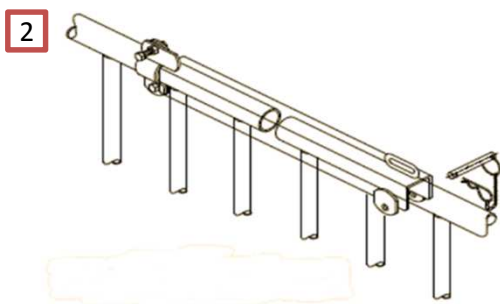
## Fall hooks

Fig.	Part number	Note	Description	Size/Dimensions
1	5550-4287-023		Combiscraper arm with flaps and rubber	For 1.5"/2" Tubes



## Hasps

Fig.	Part number	Note	Description	Size/Dimensions
2	5550-4281-000		Combiscraper arm with flaps and rubber	1.5" ( 48mm) In Line
3	5550-4281-001	= 2x 5550-4284-000	Combiscraper arm with flaps and rubber	1.5" ( 48mm) Parallel



## Mounting parts on Support posts

Fig.	Part number	Note	Description	Size/Dimensions
4	5550-4280-001		Combiscraper arm with flaps and rubber	1 Fence for 2.5" (76mm) Tube
5	5550-4280-003		Combiscraper arm with flaps and rubber	2 Fences 90° For 2.5" 76mm Tub
6	5550-4280-005		Combiscraper arm with flaps and rubber	2 Fences 180° For 2.5" 76mm Tut
7	5550-4280-007		Combiscraper arm with flaps and rubber	3 Fences For 2.5" (76mm) Tube
	5585-0116-070		Hex Head Bolt	M16x 70mm Duplex
	5585-1116-005		Hexagon Lock Nut	M16 Duplex NYLOC
8	5550-4285-008		Combiscraper arm with flaps and rubber	D=16mm L=115cm Hgalv.



Set of mounting parts

## Support wheel

Fig.	Part number	Note	Description	Size/Dimensions
9	5550-7219-006		Support wheel for partition barrier	With Air Tire + Fixings



# Support posts and accessories

## Support posts for partition fences

Fig.	Part number	Note	Description	Size/Dimensions
<b>On floor</b>				
1	5550-2515-150		Support post on floor +double strut/cap	2.5" (76x3.7mm) L=150cm Hgalv.
1	5550-3000-500		Standbuis op de vloer met schoor	3" (88.9x4.1) 159cm Hgalv.
	5580-4512-079	4 per post	Anchor bolt express	M12x 80mm 1-clip Hgalv.
	5580-4512-083	4 per post	Anchor bolt express	M12x126mm 1-clip Hgalv.
<b>On workfloor</b>				
2	5550-2505-170		Support post on workfloor + sleeve/cap	2.5" (76x3.7mm) L=170cm Hgalv.
2	5550-2505-180		Support post on workfloor + sleeve/cap	2.5" (76x3.7mm) L=180cm Hgalv.
2	5550-2505-200		Support post on workfloor + sleeve/cap	2.5" (76x3.7mm) L=200cm Hgalv.
	5580-4512-081	4 per post	Anchor bolt express	M10x 70mm 1-clip Hgalv.
2	5550-3000-122		Support post on workfloor + sleeve/cap	3" (89x4.1mm) L=170cm Hgalv.
2	5550-3000-123		Support post on workfloor + sleeve/cap	3" (89x4.1mm) L=180cm Hgalv.
2	5550-3000-124		Support post on workfloor + sleeve/cap	3" (89x4.1mm) L=200cm Hgalv.
	5580-4512-081	4 per post	Anchor bolt express	M10x 70mm 1-clip Hgalv.
<b>In concrete</b>				
3	5550-2500-175		Support post in floor + sleeve/cap	2.5" (76x3.7mm) L=175cm Hgalv.
3	5550-2500-185		Support post in floor + sleeve/cap	2.5" (76x3.7mm) L=185cm Hgalv.
3	5550-2500-200		Support post in floor + sleeve/cap	2.5" (76x3.7mm) L=200cm Hgalv.
3	5550-3000-120		Support post in floor + sleeve/cap	3" (89x4.1mm) L=185cm Hgalv.
3	5550-3000-121		Support post in floor + sleeve/cap	3" (89x4.1mm) L=200cm Hgalv.
4	5550-1925-000		Slat anchor	Beam 160 + Bolt
5	5550-1925-002		Slat anchor	Beam 90/190 + Bolt

1

2

3

4

4



Support posts partition fences	Length in cm					
	Support posts on the floor		Support posts on the workfloor Cellar wall (+20)		Support posts in floor	
	2.5"	3"	2.5"	3"	2.5"	3"
Partition fences	150		170	170	175	185
			180	180	185	200
			200	200	200	

# One-way barriers

The One-way barriers from GEA Farm-Technologies are very effective. They are robust and solid, and because of that an important element of the cow flow in the barn.



## One-way barriers

Fig.	Part number	Note	Description	Size/Dimensions
1	5550-4410-000		One way gate	110 cm For Wall Mounting
2	5550-3040-000		One way gate telescopic	90-155 cm For Post 60 Or 76 mm
3	5550-3045-000		One way gate 2-pieces	105 cm For Post 60 Or 76 mm

