

Cubicle Divisions

The cows' well-being and the stall efficiency are of significant importance for dairy farming. The positive effects of this lead to a long-term yield increase. The most important design requirement for cubicles is that they match the natural behaviour patterns of the cow. All our products are adapted to the animals' natural behaviour patterns and allow the cows to move in a natural manner. GEA Farm Technologies cubicles equally meet both the demands on animal comfort and those of the livestock customers in terms of hygiene.



In the interest of natural movement particular attention must be paid that the cubicle does not restrict the animals' natural movement pattern.

Plenty of room at the front for the ability to move forward.

No obstacles into which the animal could bump when moving forward.

Precise, animal-friendly guiding of the cow by a knee barrier and an optimal placement of the neck tube

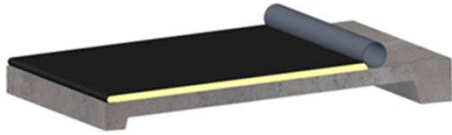
Recommended dimensions for cubicle divisions

Age in months	Product	Recommended length of wall row	Minimum length of wall row	Recommended length of double row	Minimum length of double row
> 22 months	2-D Optima, 2-D High Neckrail	> 250 cm	235 cm	> 480 cm	460 cm
> 22 months	Other Cubicles	> 250 cm	220 cm	> 430 cm	430 cm

Cubicle Divisions

Overview Bed Types

High bedding



Higher than the passageway (15 - 20 cm)
Slope of about 3-4 %.
Comfort mattress or rubber mat
Front knee barrier recommended
Little litter necessary

Combi bedding



Higher than the passageway (15 - 25 cm)
Rear edge made of wood, pipe or concrete
Optional rubber mat
Front knee barrier required
Uses various materials, such as straw, sand or sawdust as litter

Deep litter bedding with concrete wall in the front



Bedding Min 20 cm and max 30 cm high.
Rear edge made of concrete or wood
For a concrete base knee barrier required
Front knee barrier required
Hard bottom layer with fresh fill material asupper layer
Various litter materials possible, such as: dry manure, lime/straw mixture, sand or

Deep litter bedding without concrete wall in the front



Bedding Min 20 cm and max 30 cm high.
Rear edge made of concrete or wood
Deep litter without concrete wall in the front
Front knee barrier required
Hard bottom layer with fresh fill material asupper layer
Various litter materials possible, such as: dry manure, lime/straw mixture, sand or

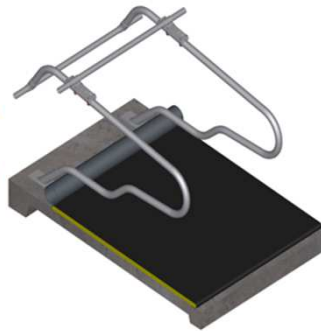
Cubicle Divisions

Overview Cubicles

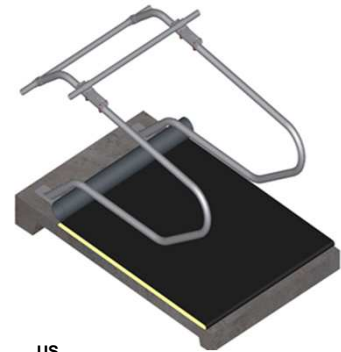
2-D Optima

For maximum hygiene

Provides plenty of freedom for sideways movement
Optima curve for perfect guiding of the cow.
With a comfort bend and as US-versions available
Ideal for renovation projects



Comfort

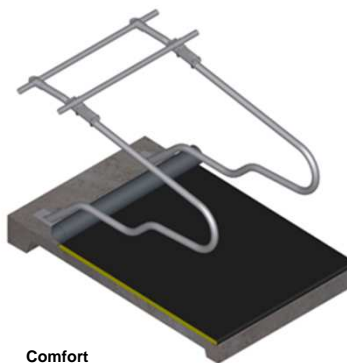


US

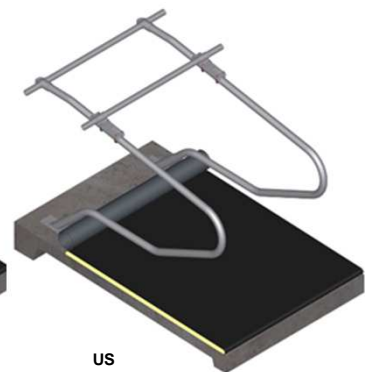
2-D High Neckrail

For perfect cow comfort

Provides plenty of freedom for sideways movement
Especially suited to large Holstein breeds
Available in Comfort and US versions



Comfort

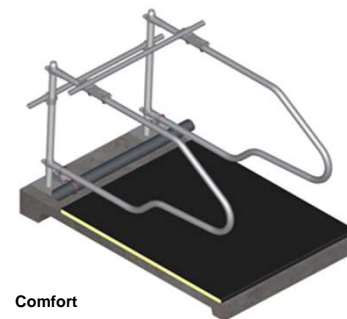


US

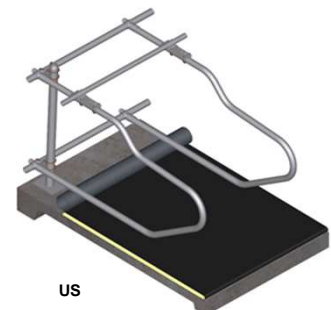
Combi Comfort

The flexible solution

Individual height- and width adjustable
Suspended mounting
Can be used with Comfort or US curve version
Ideal for deep litter beds
Various assembly variants



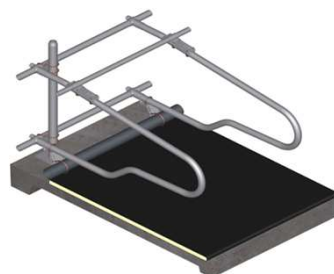
Comfort



US

Basic Cubicles 190 cm

For cows >18 months



2-D Optima

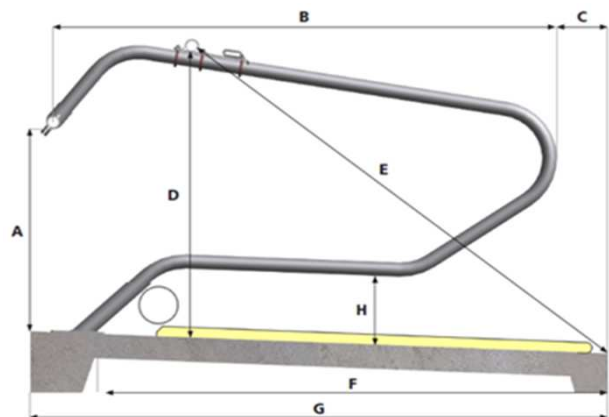
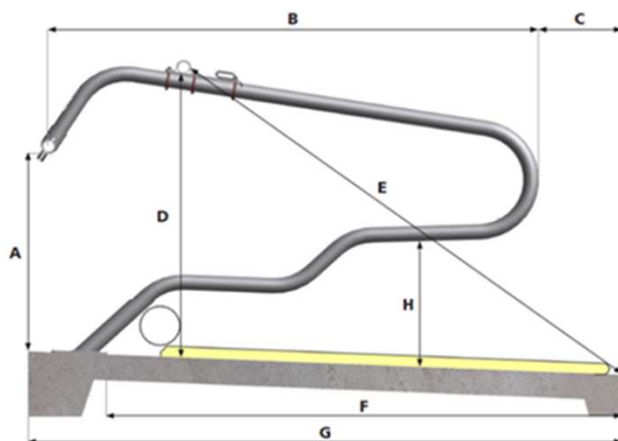
The 2-D Optima cubicles provides optimum freedom of movement and can be installed easily. In combination with original GEA Farm Technologies cow mattresses or rubber mats you can achieve an optimum level of comfort for the cows. As High Neckrail variant with raised neck tube the frame also provides optimum freedom of movement level and a maximum level of comfort even for large cattle.



"Comfortable
Easy Assembly
Best price"

Recommended dimensions

Cubicle Divisions		Recommended length of wall row	Minimum length of wall row	Box width Center to Center
2-D Optima		2500 mm	> 2350 mm	1100 - 1200 mm
2-D Optima US		2500 mm	> 2350 mm	1150 - 1200 mm
	5510-3720-003	5510-3720-004	High Neckrail 5510-3720-005	High Neckrail 5510-3720-006
A	± 93 cm	± 93 cm	± 100 cm	± 100 cm
B	200 cm	200 cm	205 cm	205 cm
C	± 25 cm	± 25 cm	± 25 cm	± 25 cm
D	± 123 cm	± 123 cm	± 131 cm	± 131 cm
E	215 - 225 cm	215 - 225 cm	215 - 225 cm	215 - 225 cm
F	± 207 cm	± 207 cm	± 207 cm	± 207 cm
G	> 235 cm	> 235 cm	> 235 cm	> 235 cm
H	± 54 cm	± 30 cm	± 54 cm	± 30 cm

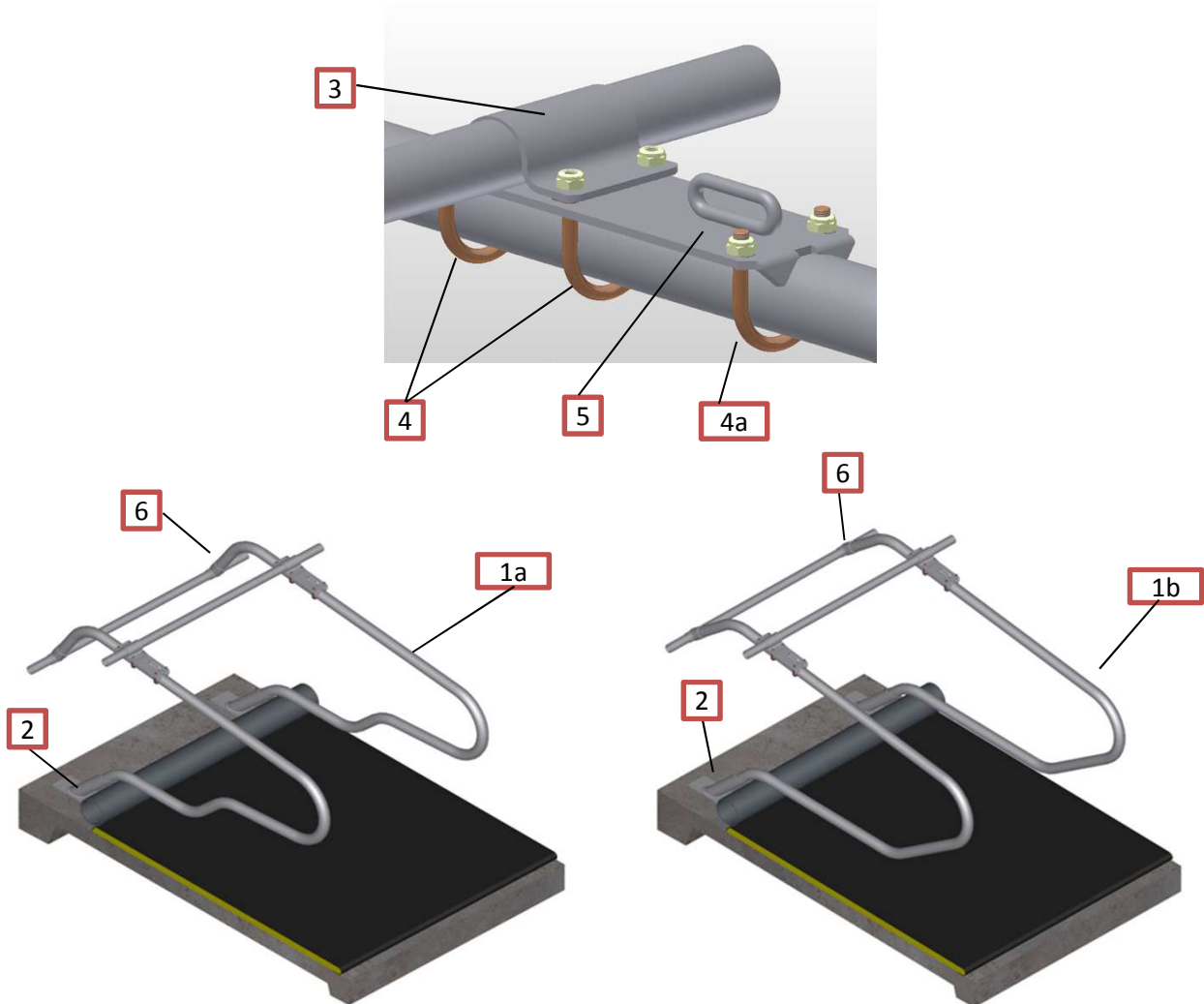


2-D Optima

Material for single row

Figur	Part number	Note	Description	Size / Dimensions
1a	5510-3720-003	1x	Cubicle division 2D Optima	200cm
1a	5510-3720-005	1x	Cubicle division 2D Optima	205cm HN
1b	5510-3720-004	1x	Cubicle division 2D Optima	200cm US
1b	5510-3720-006	1x	Cubicle division 2D Optima	205cm HN type US
2	5510-3600-000	1x	Floor holder cubicle division 2D	
	5580-4512-082	2x	Anchor bolt express	M16x110mm 1-clip Hgalv.
3	5510-3334-005	1x	Bow tube clamp	1.5" (48mm) x 2" (60mm)
4	5585-1610-065	2x	Wire bracket + Lock Nuts	2" (60mm) M10x 93 Duplex
5	5510-3334-001	Optional 1x	Bow tube clamp plate with eye	2" (60mm) Thickness=6mm
4a	5585-1610-065	Optional 1x extra	Wire bracket + Lock Nuts	2" (60mm) M10x 93 Duplex
6	5510-1756-000	1x	T-Clamp	1.5" x2" (48x60mm) + 2 Bolts
	5510-6075-106		Tube galvanized	1.5" (48x2.9mm) L=600cm Hgalv.
	5510-6031-000		Tube coupling	1.5" (48mm) + Bolt
	5510-0000-004	At Combi comfortbed	In-fill	2" (60mm) L=85mm

For double row, calculate 2 single rows together

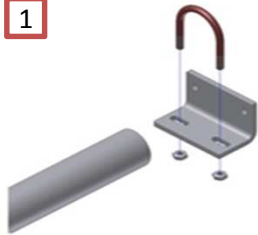


2-D Optima

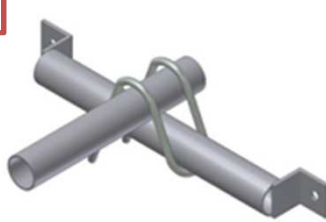
Wall mounting

Figure	Part number	Note	Description	Size / Dimensions
1	5550-6039-001		Wallbracket for bar fixed	1.5" (48mm)
2	5550-6039-000		Wallbracket for bar adjustable	1.5" (48mm)
3	5550-6039-004		Wallbracket high for bar adjustable	1.5" (48mm)
	5500-1200-165		Nylon plug	12mm
	5500-1000-188		Wood Screw	M10x 70mm Egalv.
	5580-4512-081		Anchor bolt express	M10x 70mm 1-clip Hgalv.

1



2



3



Clamping plates, nylon neck belts and wall mounting

Figure	Part number	Note	Description	Size / Dimensions
1	5510-3334-001		Bow tube clamp plate with eye	2" (60mm) Thickness=6mm
	5585-1610-065		Wire bracket + Lock Nuts	2" (60mm) M10x 93 Duplex
	5550-6035-013		Roll Nylon band	20m Yellow
	5550-6035-014		Roll Nylon band	40m Yellow
	5550-6035-015		Roll Nylon band	60m Yellow
	5550-6035-016		Roll Nylon band	80m Yellow
	5550-6035-012		Roll Nylon band	100m Yellow
2	5550-6035-006		Ratchet buckel with band and hook	Complete
	5550-6035-007	2x	Sliding buckle	50mm Coated
3	5510-3807-000	4 x each holde	Wallbracket for nylon band	2" (60 mm) tube or wall
	5500-1200-165	4 x each holde	Nylon plug	12mm
	5500-1000-188	4 x each holde	Wood Screw	M10x 70mm Egalv.
	5580-4512-081		Anchor bolt express	M10x 70mm 1-clip Hgalv.

1



2



3



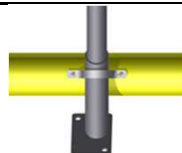
Knee barrier PVC tube

Figure	Part number	Note	Description	Size / Dimensions
1	5560-1512-003		Knee barrier PVC-Tube	160x6.2mm L=500cm
2	5550-5225-002		Bow bracket	2.5" (76mm) + Screws 6.5x32
3	5550-6037-004		Knee barrier tube mounting	6" (160mm)
	5580-4512-081		Anchor bolt express	M10x 70mm 1-clip Hgalv.

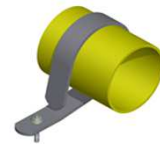
1



2



3



Knee barrier required!
*This price list concentrates on raised beds with a mattress.
 Dimensions and products for combined beds and deep litter beds are
 Recommendation: All galvanised materials which may possibly come into
 contact with bedding should be given an additional coating.*

2-D Optima cubicles for renovation barns

The 2D Optima 190 is a cubicle that is specially included in the pricelist for renovation-stables.

This cubicle gives a lot of maneuverability to a cow.

The Optima curve (the lowered tube in front)

is guiding the cow optimally. "

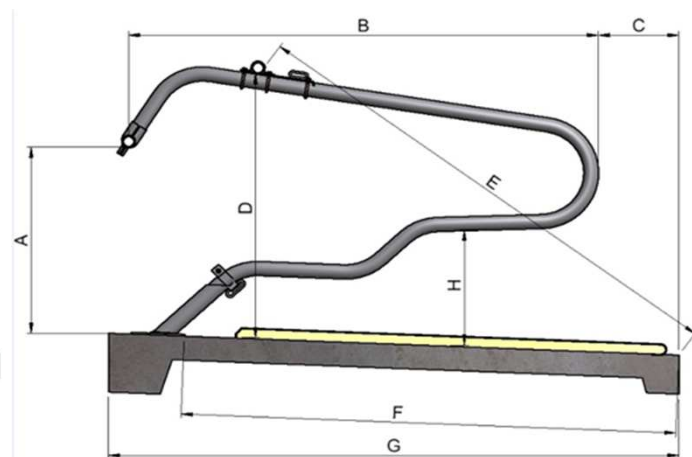
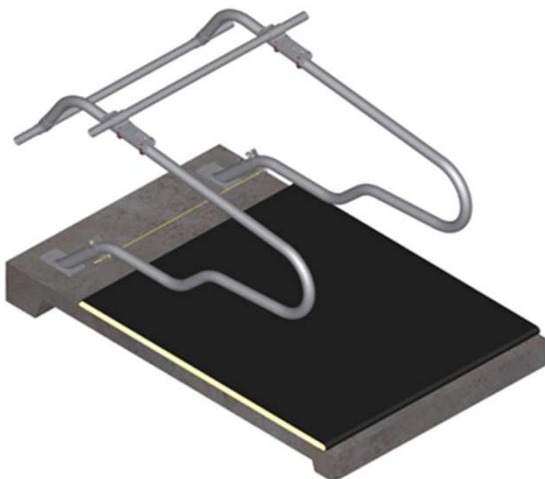


Recommended dimensions

Cubicle Divisions	Recommended length of wall row	Minimum length of wall row	Box width Center to Center
2-D Optima	> 2500 mm	> 2200 mm	1100 - 1200 mm

Cubicle Division	5510-3719-001
A	± 93 cm
B	190 cm
C	± 25 cm
D	± 116 cm
E	200 - 225 cm
F	± 195 cm
G	> 220 cm
H	± 55 cm

Suitable for short bedding



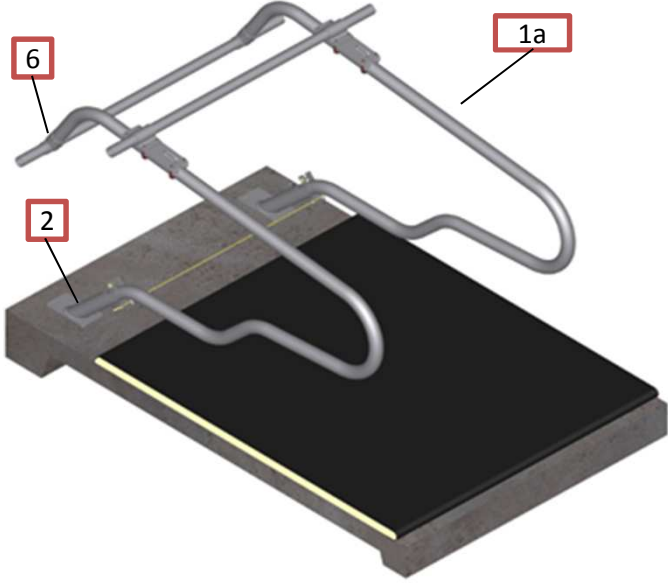
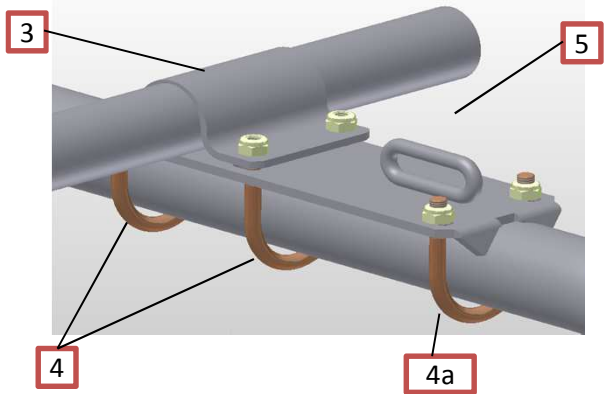
2-D Optima cubicles for renovation barns

Material for single row



Figure	Part number	Note	Description	Size / Dimensions
1a	5510-3719-001	1x	Cubicle division 2D Optima	190cm
2	5510-3600-000	1x	Floor holder cubicle division 2D	
	5580-4512-082	2x	Anchor bolt express	M16x110mm 1-clip Hgalv.
3	5510-3334-005	1x	Bow tube clamp	1.5" (48mm) x 2" (60mm)
4	5585-1610-065	2x	Wire bracket + Lock Nuts	2" (60mm) M10x 93 Duplex
5	5510-3334-001	Optional 1x	Bow tube clamp plate with eye	2" (60mm) Thickness=6mm
4a	5585-1610-065	Optional 1x extra	Wire bracket + Lock Nuts	2" (60mm) M10x 93 Duplex
6	5510-1756-000	1x	T-Clamp	1.5" x2" (48x60mm) + 2 Bolts
	5510-6075-106		Tube galvanized	1.5" (48x2.9mm) L=600cm Hgalv.
	5510-6031-000		Tube coupling	1.5" (48mm) + Bolt
	5510-0000-004	At Combi comfortbed	In-fill	2" (60mm) L=85mm

For double row, calculate 2 single



For accessories see chapter 2D Optima

2-D High Neckrail

The 2-D High Neckrail cubicle provides optimum freedom of movement and can be easily installed. In combination with original GEA Farm Technologies cow mattresses or rubber mats you can achieve an optimum level of comfort for the cows. The frame provides optimum freedom. The 220 cm cubicle divisions are suitable for double rows with a length of 480 cm or more. Guidelines are available for this cubicle which must be observed, since this division gives a great deal of freedom of movement. Inform your customers of the advantages and disadvantages of High Neckrail cubicle divisions.

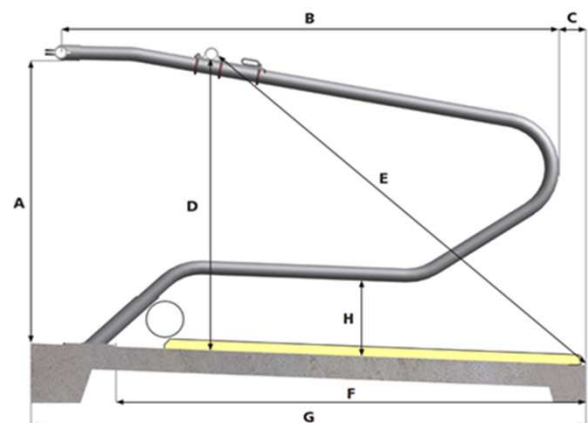
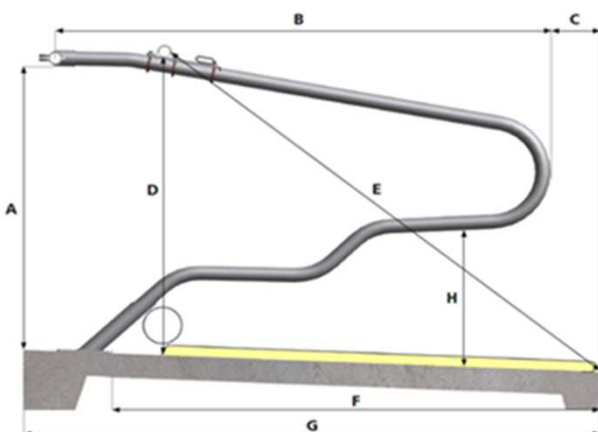


Recommended dimensions

2-D High Neckrail

Ligbox		Recommended length of wall row	Minimum length of wall row	Box width Center to Center
2-D High Neckrail		2500 mm	> 2350 mm	1100 - 1200 mm
2-D High Neckrail US		2500 mm	> 2350 mm	1150 - 1200 mm
	5510-3920-018	5510-3920-019	5510-3922-006	5510-3922-007
A	± 126 cm	± 126 cm	± 126 cm	± 126 cm
B	205 cm	205 cm	220 cm	220 cm
C	± 25 cm	± 25 cm	± 25 cm	± 25 cm
D	± 131 cm	± 131 cm	± 131 cm	± 131 cm
E	215 - 225 cm	215 - 225 cm	215 - 225 cm	215 - 225 cm
F	± 207 cm	± 207 cm	± 207 cm	± 207 cm
G	> 235 cm	> 235 cm	> 235 cm	> 235 cm
H	± 54 cm	± 30 cm	± 54 cm	± 30 cm

Kneebarrier and noseband required!

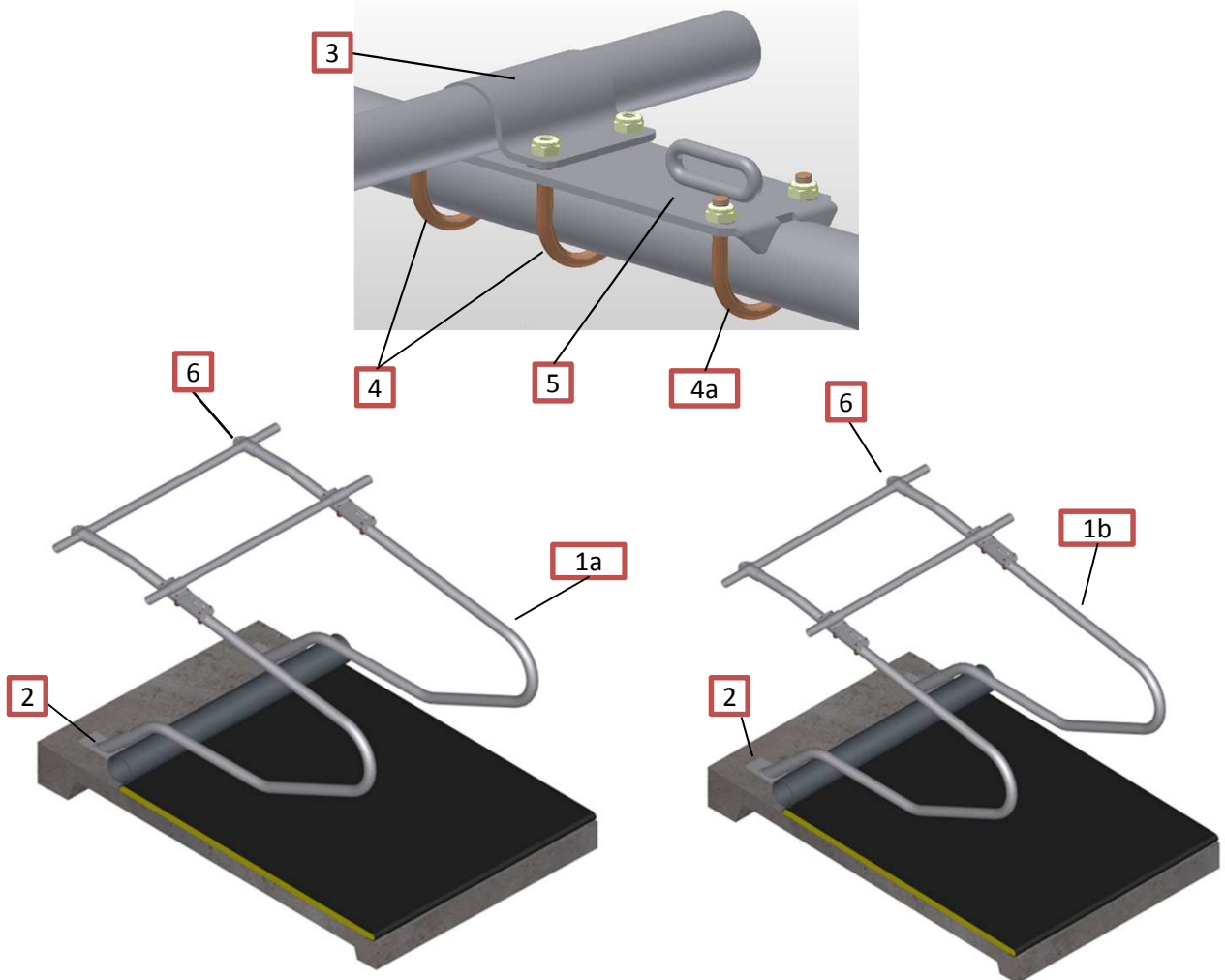


2-D High Neckrail

Material for single row

Figur	Part number	Note	Description	Size / Dimensions
1a	5510-3920-018		Cubicle division 2D High Neckrail	205cm HN
1b	5510-3920-019		Cubicle division 2D High Neckrail	205cm HN type US
2	5510-3600-000		Floor holder cubicle division 2D	
	5580-4512-082	2x	Anchor bolt express	M16x110mm 1-clip Hgalv.
3	5510-3334-005	1x	Bow tube clamp	1.5" (48mm) x 2" (60mm)
4	5585-1610-065	2x	Wire bracket + Lock Nuts	2" (60mm) M10x 93 Duplex
5	5510-3334-001	Optional 1x	Bow tube clamp plate with eye	2" (60mm) Thickness=6mm
4a	5585-1610-065	Optional 1x extra	Wire bracket + Lock Nuts	2" (60mm) M10x 93 Duplex
6	5510-1756-000	1x	T-Clamp	1.5" x2" (48x60mm) + 2 Bolts
	5510-6075-106		Tube galvanized	1.5" (48x2.9mm) L=600cm Hgalv.
	5510-6031-000		Tube coupling	1.5" (48mm) + Bolt
	5510-0000-004	At Combi comfortbed	In-fill	2" (60mm) L=85mm

Kneebarrier and noseband required!

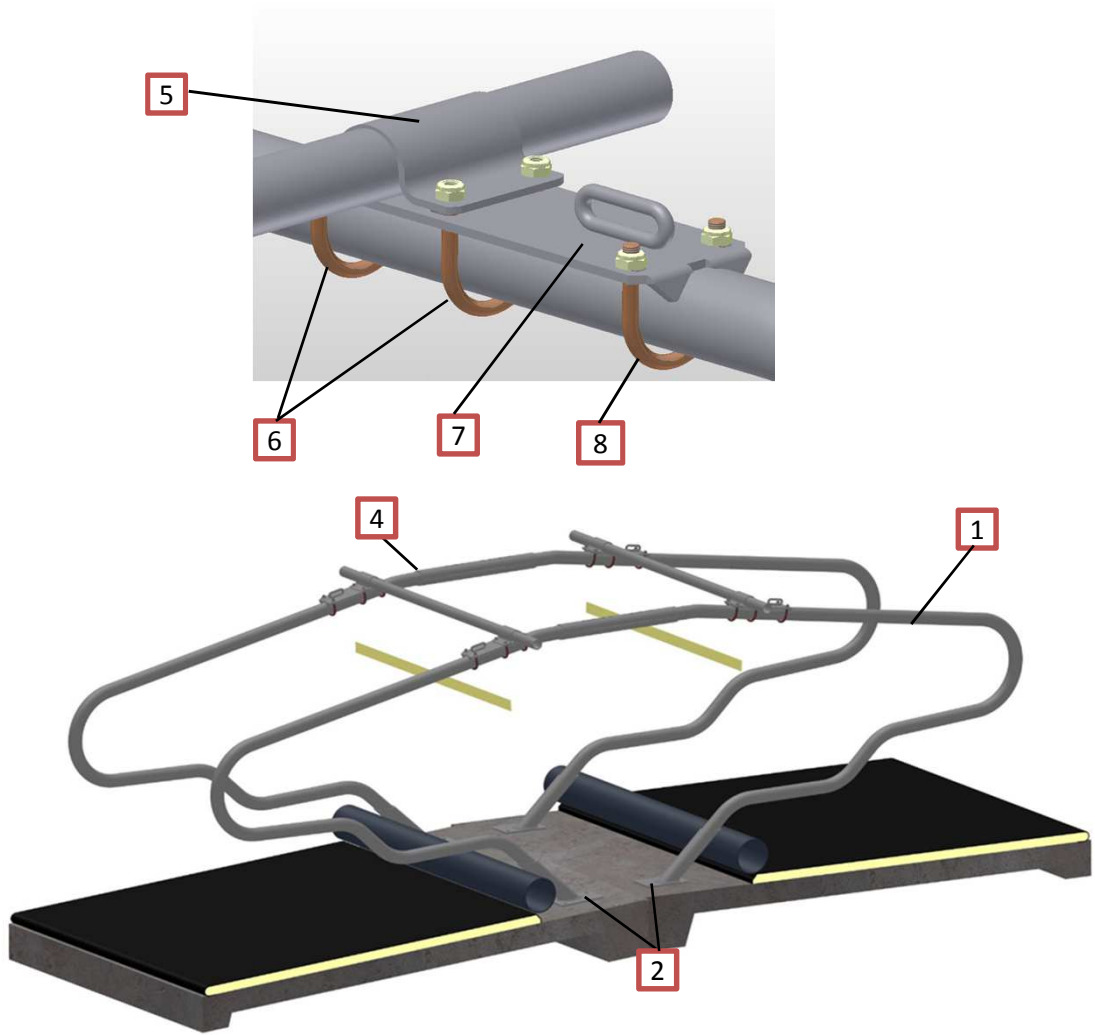


2-D High Neckrail

Material for double row

Figur	Part number	Note	Description	Size / Dimensions
1	5510-3920-018	Rows 460-480 cm	Cubicle division 2D High Neckrail	205cm HN
	5510-3920-019	Rows 460-480 cm	Cubicle division 2D High Neckrail	205cm HN type US
1	5510-3922-006	Rows 490-510 cm	Cubicle division 2D High Neckrail	220cm
	5510-3922-007	Rows 490-510 cm	Cubicle division 2D High Neckrail	220cm US
2	5510-3600-000		Floor holder cubicle division 2D	
	5580-4512-082	2x	Anchor bolt express	M16x110mm 1-clip Hgalv.
4	5510-3916-000	1 x per 2 brackets	Tube coupling	2" (60mm) 2D Double
5	5510-3334-005	1x	Bow tube clamp	1.5" (48mm) x 2" (60mm)
6	5585-1610-065	2x	Wire bracket + Lock Nuts	2" (60mm) M10x 93 Duplex
7	5510-3334-001	Optional 1x	Bow tube clamp plate with eye	2" (60mm) Thickness=6mm
8	5585-1610-065	Optional 1x extra	Wire bracket + Lock Nuts	2" (60mm) M10x 93 Duplex
	5510-6075-106		Tube galvanized	1.5" (48x2.9mm) L=600cm Hgalv.
	5510-6031-000		Tube coupling	1.5" (48mm) + Bolt
	5510-0000-004	At Combi comfortbed	In-fill	2" (60mm) L=85mm

Kneebarrier and noseband required!

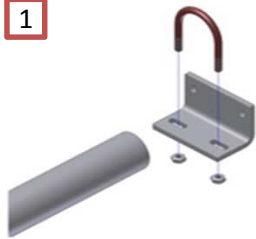


2-D High Neckrail

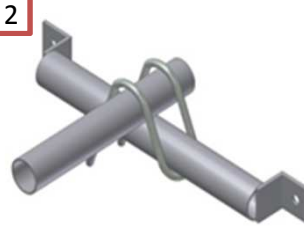
Wall mounting

Figure	Part number	Note	Description	Size / Dimensions
1	5550-6039-001		Wallbracket for bar fixed	1.5" (48mm)
2	5550-6039-000		Wallbracket for bar adjustable	1.5" (48mm)
3	5550-6039-004		Wallbracket high for bar adjustable	1.5" (48mm)
	5500-1200-165		Nylon plug	12mm
	5500-1000-188		Wood Screw	M10x 70mm Egalv.
	5580-4512-081		Anchor bolt express	M10x 70mm 1-clip Hgalv.

1



2



3



Clamping plates, nylon neck belts and wall mounting

Figure	Part number	Note	Description	Size / Dimensions
1	5510-3334-001		Bow tube clamp plate with eye	2" (60mm) Thickness=6mm
	5585-1610-065		Wire bracket + Lock Nuts	2" (60mm) M10x 93 Duplex
	5550-6035-013		Roll Nylon band	20m Yellow
	5550-6035-014		Roll Nylon band	40m Yellow
	5550-6035-015		Roll Nylon band	60m Yellow
	5550-6035-016		Roll Nylon band	80m Yellow
	5550-6035-012		Roll Nylon band	100m Yellow
2	5550-6035-006		Ratchet buckel with band and hook	Complete
	5550-6035-007	2x	Sliding buckle	50mm Coated
3	5510-3807-000	4 x each holde	Wallbracket for nylon band	2" (60 mm) tube or wall
	5500-1200-165	4 x each holde	Nylon plug	12mm
	5500-1000-188	4 x each holde	Wood Screw	M10x 70mm Egalv.
	5580-4512-081		Anchor bolt express	M10x 70mm 1-clip Hgalv.

1



2



3



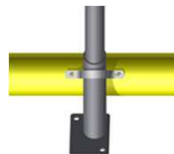
Knie barrier PVC tube

Figure	Part number	Note	Description	Size / Dimensions
1	5560-1512-003		Knee barrier PVC-Tube	160x6.2mm L=500cm
2	5550-5225-002		Bow bracket	2.5" (76mm) + Screws 6.5x32
3	5550-6037-004		Knee barrier tube mounting	6" (160mm)
	5580-4512-081		Anchor bolt express	M10x 70mm 1-clip Hgalv.

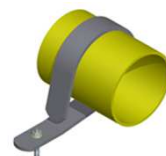
1



2



3



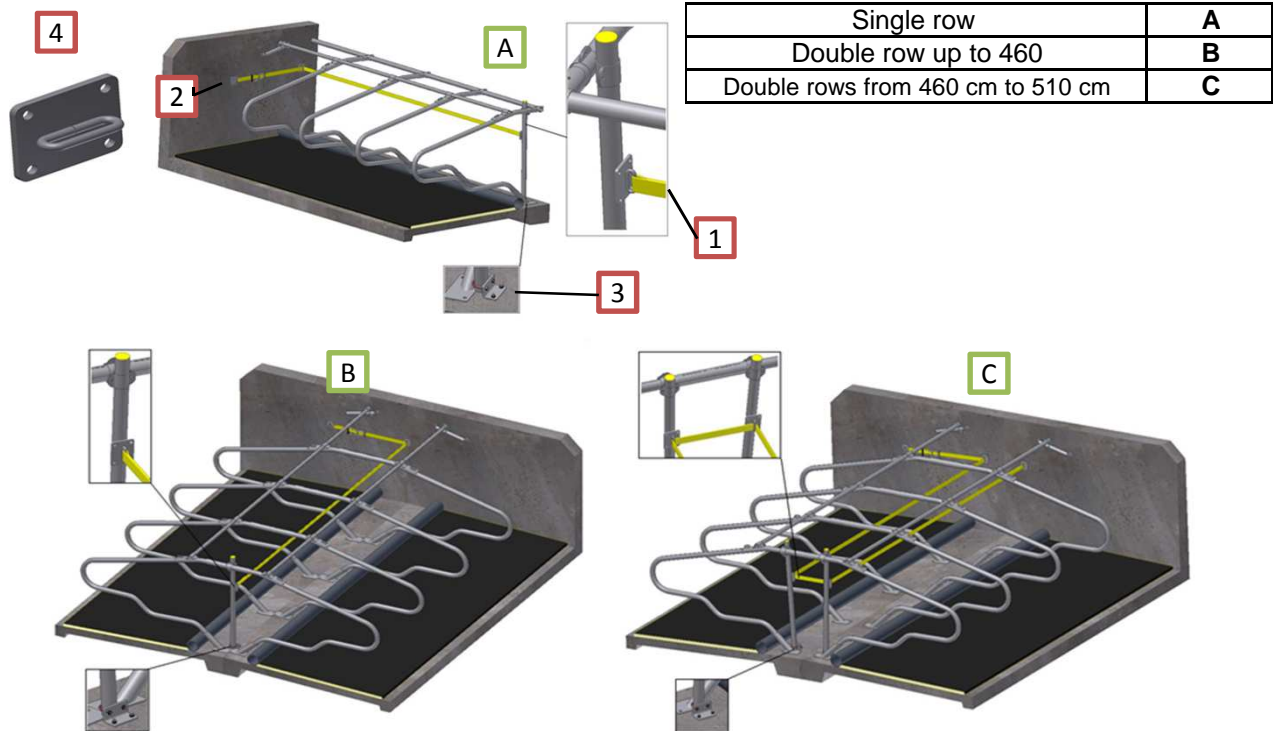
2-D High Neckrail

Noseband

Figur	Part number	Note	Description	Size / Dimensions
1	5550-6035-013		Roll Nylon band	20m Yellow
1	5550-6035-014		Roll Nylon band	40m Yellow
1	5550-6035-015		Roll Nylon band	60m Yellow
1	5550-6035-016		Roll Nylon band	80m Yellow
1	5550-6035-012		Roll Nylon band	100m Yellow
2	5550-6035-006		Ratchet buckel with band and hook	Complete
	5550-6035-007		Sliding buckle	50mm Coated
	5510-3807-000		Wallbracket for nylon band	2" (60 mm) tube or wall
	5585-1610-065		Wire bracket + Lock Nuts	2" (60mm) M10x 93 Duplex
	5580-4512-081		Anchor bolt express	M10x 70mm 1-clip Hgalv.
	5500-1400-013		Nylon plug	14mm
	5500-1000-187		Wood Screw	M10x 60mm Hgalv.

Nose band support

	5510-6040-006		Tube galvanized	2" (60x2.9mm) L=150cm Hgalv.
	5510-2566-000		Cap	2" (60mm) Grey
3	5550-6039-002		Wallbracket for bar fixed	2 (60mm)
	5580-4512-081		Anchor bolt express	M10x 70mm 1-clip Hgalv.
	5510-1266-000		Cross-over clamp with clamp brackets	2" x2" (60x60mm) + Bolts
	5510-1267-000		Cross-over clamp with clamp brackets	2.5" x2" (76x60mm) + Bolts
4	5510-3807-000		Wallbracket for nylon band	2" (60 mm) tube or wall
	5585-1610-065		Wire bracket + Lock Nuts	2" (60mm) M10x 93 Duplex



*The High Neckrail cubicle division is developed for large Holstein dairy cows.
Kneebarrier and noseband required!
We recommend use of a bow tube clamp plate with eye. (See cubicle division accessories)
This price list concentrates on raised beds with a mattress.
Dimensions and products for combined beds and deep litter beds are
Recommendation: All galvanised materials which may possibly come into
contact with bedding should be given an additional coating.*

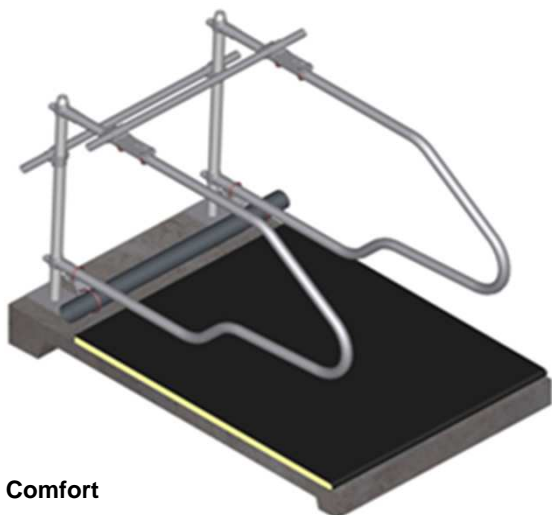
Combi Comfort cubicles

The Combi Comfort cubicles provides maximum flexibility combined with good cow comfort. The Combi Comfort can be adjusted to the situation and can be used with both Comfort and US curve versions. Depending on the customer requirements its height and width can be adjusted. Particularly well suited for deep litter and sand beds.

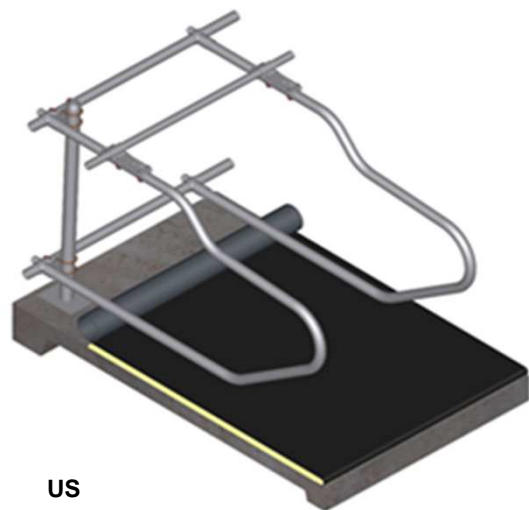


Recommended dimensions

Cubicle Divisions	Recommended length of wall row	Minimum length of wall row	Box width Center to Center
Combi Comfort curve down	2500 mm	> 2300 mm	1100 - 1200 mm
Combi Comfort US	2500 mm	> 2300 mm	1150 - 1200 mm
	Double row	Double row	
Combi Comfort curve down	2500 mm	> 2300 mm	1100 - 1200 mm
Combi Comfort US	2500 mm	> 2300 mm	1150 - 1200 mm

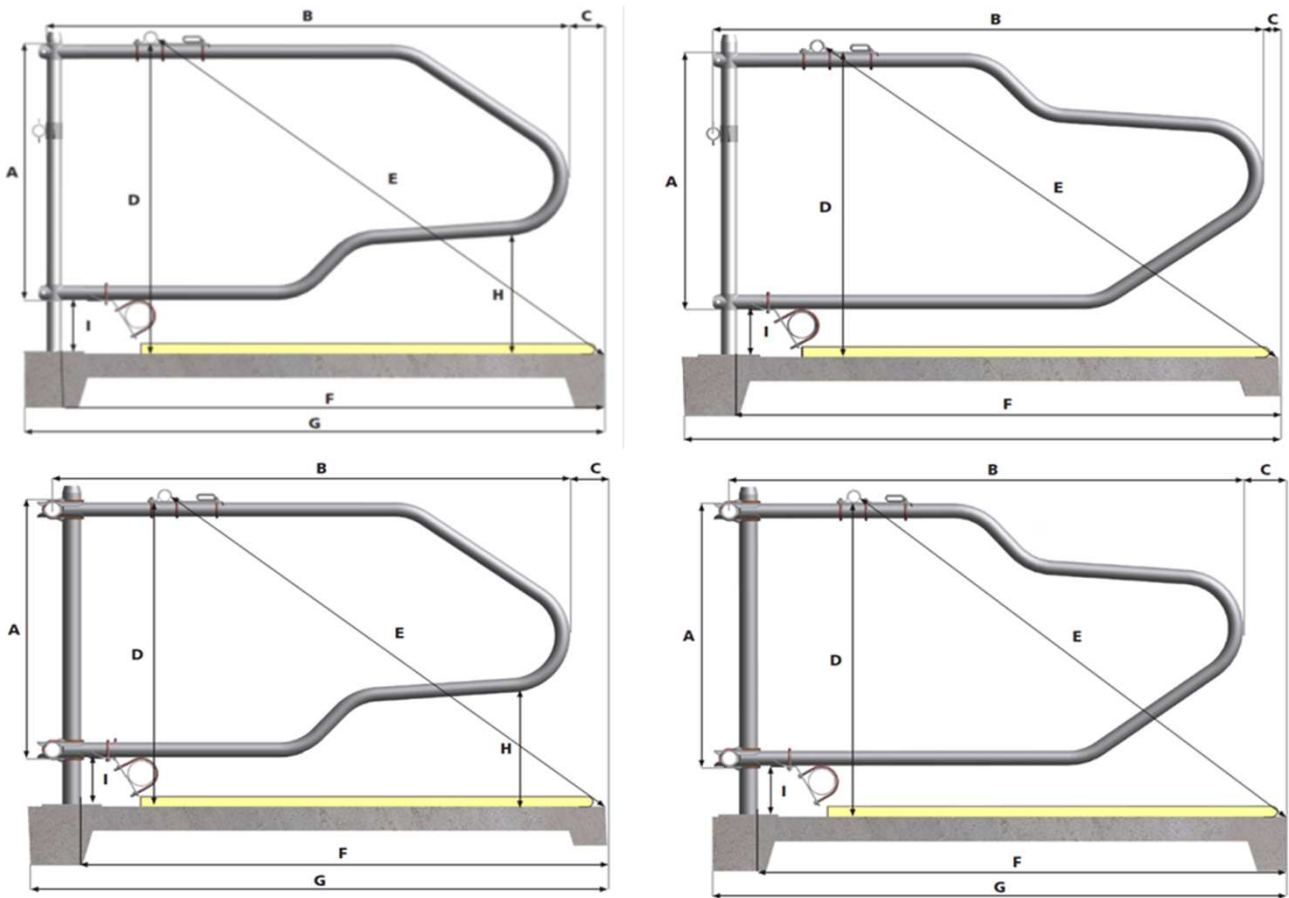


Comfort



US

Combi Comfort cubicles



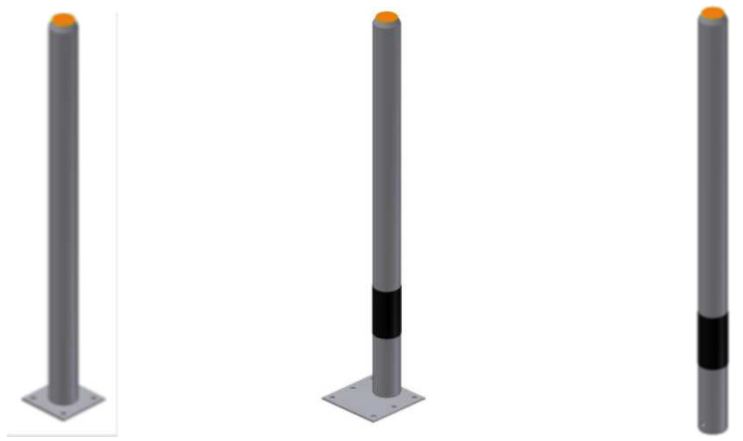
Recommended dimensions Combi Comfort

	5510-3319-010	5510-3320-016	5510-3321-013	5510-3322-005
A	± 97 cm	± 97 cm	± 97 cm	± 97 cm
B	190 cm	205 cm	215 cm	225 cm
C	± 25 cm	± 25 cm	± 25 cm	± 25 cm
D	± 121 cm	± 121 cm	± 121 cm	± 121 cm
E	205 - 215 cm	205 - 215 cm	205 - 215 cm	205 - 215 cm
F	± 211 cm	± 226 cm	± 236 cm	± 246 cm
G	> 230 cm	> 245 cm	> 255 cm	> 265 cm
H	± 55 cm	± 55 cm	± 55 cm	± 55 cm
I	± 23 cm	± 23 cm	± 23 cm	± 23 cm

Recommended dimensions Combi Comfort High Neckrail

	5510-3319-011	5510-3320-017	5510-3321-014	5510-3322-006
A	± 107 cm	± 107 cm	± 107 cm	± 107 cm
B	190 cm	205 cm	215 cm	225 cm
C	± 25 cm	± 25 cm	± 25 cm	± 25 cm
D	± 131 cm	± 131 cm	± 131 cm	± 131 cm
E	215 - 225 cm	215 - 225 cm	215 - 225 cm	215 - 225 cm
F	± 211 cm	± 226 cm	± 236 cm	± 246 cm
G	> 235 cm	> 245 cm	> 255 cm	> 265 cm
H	± 55 cm	± 55 cm	± 55 cm	± 55 cm
I	± 23 cm	± 23 cm	± 23 cm	± 23 cm

Combi Comfort cubicles



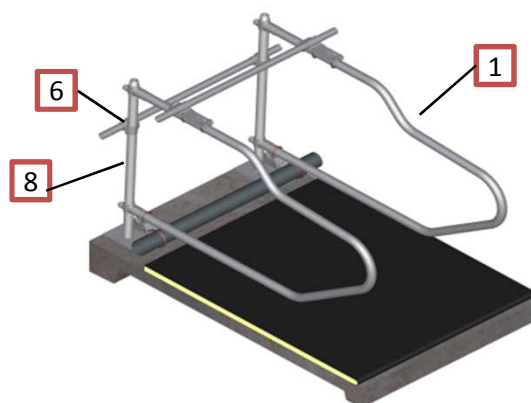
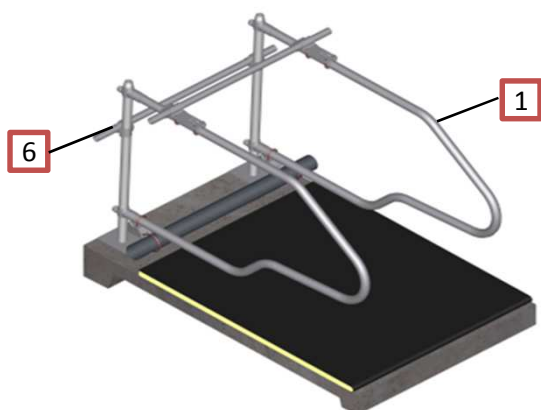
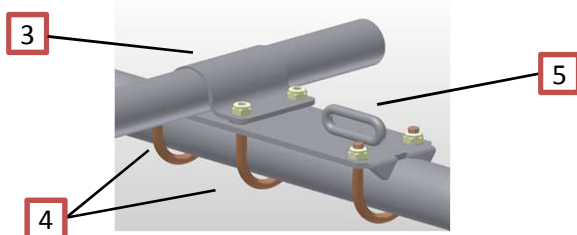
Support posts Combi Comfort				
Age	Bed Type	Support post on floor	Support post on workfloor	Support post in floor
		2,5"	2,5"	2.5
Large stock	High	135	160	160
Livestock HN > 150cm	High	135	160	160
Large stock	Combi	135	160	160
Livestock HN > 150cm	Combi	160	160	175
Large stock	Deep litter bedding with concrete wall	135	160	160
Livestock HN > 150cm	Deep litter bedding with concrete wall	135	160	160
Large stock	Deep litter bedding without concrete	160	160	175
Livestock HN > 150cm	Deep litter bedding without concrete	160	170	185
Double rows on horizontal tube on prefabfloor: Use Support post 2,5" on floor with double strut.				

Combi Comfort cubicles

Fitting directly to the support post

Material for single row

Figur	Part number	Note	Description	Size / Dimensions
1	5510-3319-010		Cubicle division Combi Comfort	190cm
1	5510-3320-016		Cubicle division Combi Comfort	205cm
1	5510-3321-013		Cubicle division Combi Comfort	215cm
1	5510-3322-005		Cubicle division Combi Comfort	225cm
1	5510-3319-011		Cubicle division Combi Comfort	190cm HN
1	5510-3320-017		Cubicle division Combi Comfort	205cm HN
1	5510-3321-014		Cubicle division Combi Comfort	215cm HN
1	5510-3322-006		Cubicle division Combi Comfort	225cm HN
2	5510-1776-000	2x	T-Clamp	2.5" x2" (76x60mm) + Bolt
3	5510-3334-005	1x	Bow tube clamp	1.5" (48mm) x 2" (60mm)
4	5585-1610-065	2x	Wire bracket + Lock Nuts	2" (60mm) M10x 93 Duplex
5	5510-3334-001	Optional 1x	Bow tube clamp plate with eye	2" (60mm) Thickness=6mm
4	5585-1610-065	Optional 1x extra	Wire bracket + Lock Nuts	2" (60mm) M10x 93 Duplex
6	5510-1266-002	Optional 1x	Cross-over clamp with clamp brackets	2.5" x1.5" (76x48mm) + Bolts
	5510-6075-106	Per 6 meters	Tube galvanized	1.5" (48x2.9mm) L=600cm Hgalv.
	5510-6031-000		Tube coupling	1.5" (48mm) + Bolt
8	5550-2510-135		Support post on floor + cap	2.5" (76x3.7mm) L=135cm Hgalv.
	5550-2515-150	Prefab Concrete	Support post on floor +double strut/cap	2.5" (76x3.7mm) L=150cm Hgalv.
	5550-2510-160		Support post on floor + cap	2.5" (76x3.7mm) L=160cm Hgalv.
	5580-4512-079	4x each post	Anchor bolt express	M12x 80mm 1-clip Hgalv.
	5550-2505-160		Support post on workflow + sleeve/cap	2.5" (76x3.7mm) L=160cm Hgalv.
	5550-2505-170		Support post on workflow + sleeve/cap	2.5" (76x3.7mm) L=170cm Hgalv.
	5580-4512-081	4x each post	Anchor bolt express	M10x 70mm 1-clip Hgalv.
	5550-2500-160		Support post in floor + sleeve/cap	2.5" (76x3.7mm) L=160cm Hgalv.
	5550-2500-175		Support post in floor + sleeve/cap	2.5" (76x3.7mm) L=175cm Hgalv.
	5550-2500-185		Support post in floor + sleeve/cap	2.5" (76x3.7mm) L=185cm Hgalv.

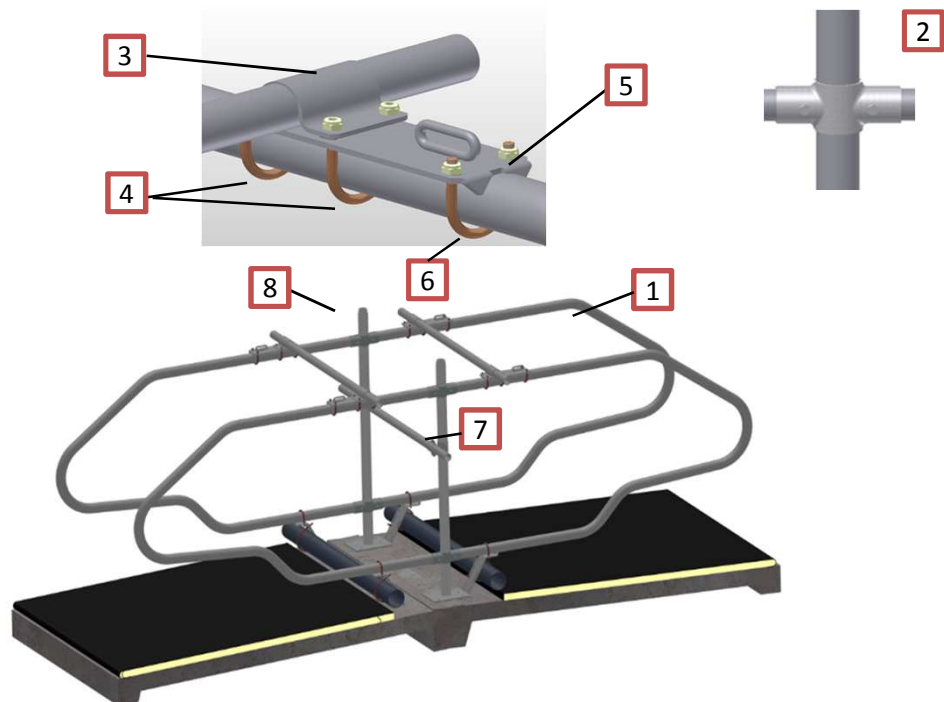


Combi Comfort cubicles

Fitting directly to the support post

Material for double row

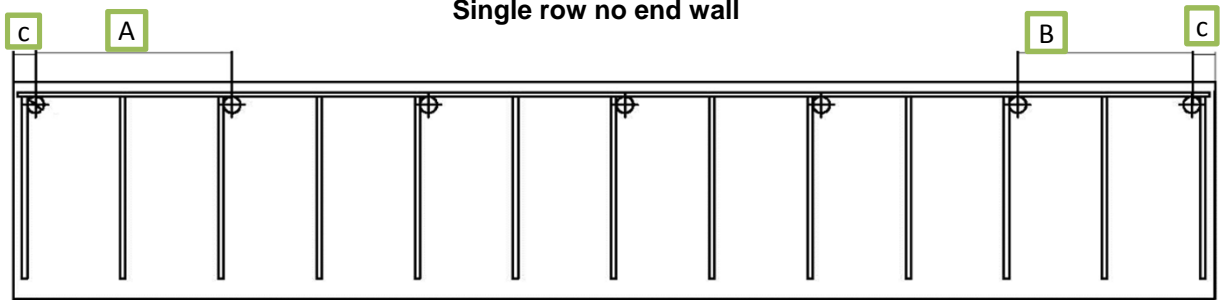
Figur	Part number	Note	Description	Size / Dimensions
1	5510-3319-010		Cubicle division Combi Comfort	190cm
1	5510-3320-016		Cubicle division Combi Comfort	205cm
1	5510-3321-013		Cubicle division Combi Comfort	215cm
1	5510-3322-005		Cubicle division Combi Comfort	225cm
1	5510-3319-011		Cubicle division Combi Comfort	190cm HN
1	5510-3320-017		Cubicle division Combi Comfort	205cm HN
1	5510-3321-014		Cubicle division Combi Comfort	215cm HN
1	5510-3322-006		Cubicle division Combi Comfort	225cm HN
2	5510-1231-003	2x each post	Cross Clamp	2" x2.5" (60x76mm) + Bolts
3	5510-3334-005	1x	Bow tube clamp	1.5" (48mm) x 2" (60mm)
4	5585-1610-065	2x	Wire bracket + Lock Nuts	2" (60mm) M10x 93 Duplex
5	5510-3334-001	Optional 1x	Bow tube clamp plate with eye	2" (60mm) Thickness=6mm
4	5585-1610-065	Optional 1x extra	Wire bracket + Lock Nuts	2" (60mm) M10x 93 Duplex
6	5510-1266-002	Optional 1x each post	Cross-over clamp with clamp brackets	2.5" x1.5" (76x48mm) + Bolts
	5510-6075-106	Per 6 meters	Tube galvanized	1.5" (48x2.9mm) L=600cm Hgalv.
	5510-6031-000		Tube coupling	1.5" (48mm) + Bolt
8	5550-2510-135		Support post on floor + cap	2.5" (76x3.7mm) L=135cm Hgalv.
	5550-2515-150	Prefab Concrete	Support post on floor +double strut/cap	2.5" (76x3.7mm) L=150cm Hgalv.
	5550-2510-160		Support post on floor + cap	2.5" (76x3.7mm) L=160cm Hgalv.
	5580-4512-079	4x each post	Anchor bolt express	M12x 80mm 1-clip Hgalv.
	5550-2505-160		Support post on workflow + sleeve/cap	2.5" (76x3.7mm) L=160cm Hgalv.
	5550-2505-170		Support post on workflow + sleeve/cap	2.5" (76x3.7mm) L=170cm Hgalv.
	5580-4512-081	4x each post	Anchor bolt express	M10x 70mm 1-clip Hgalv.
	5550-2500-160		Support post in floor + sleeve/cap	2.5" (76x3.7mm) L=160cm Hgalv.
	5550-2500-175		Support post in floor + sleeve/cap	2.5" (76x3.7mm) L=175cm Hgalv.
	5550-2500-185		Support post in floor + sleeve/cap	2.5" (76x3.7mm) L=185cm Hgalv.



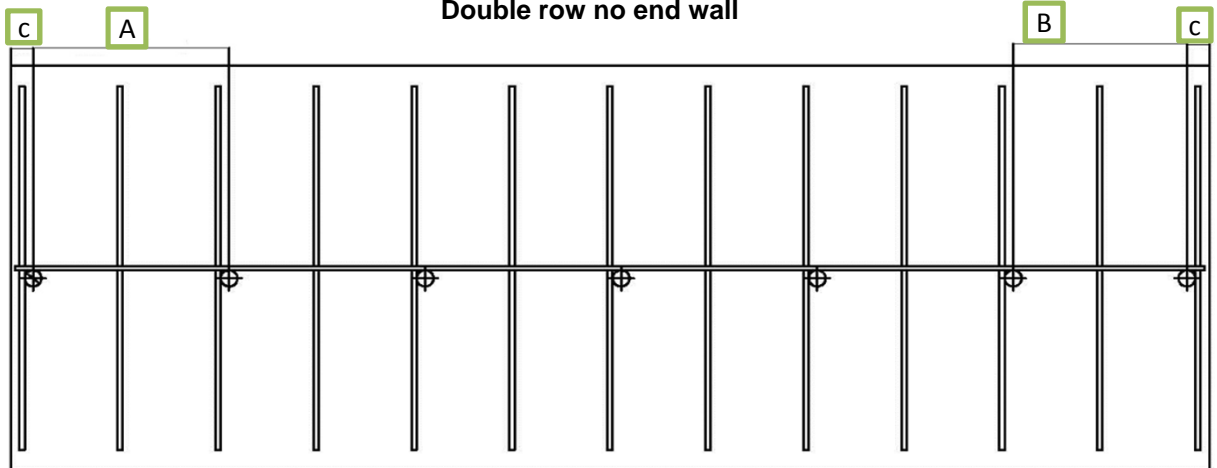
Combi Comfort cubicles

Fitting to the horizontal bar

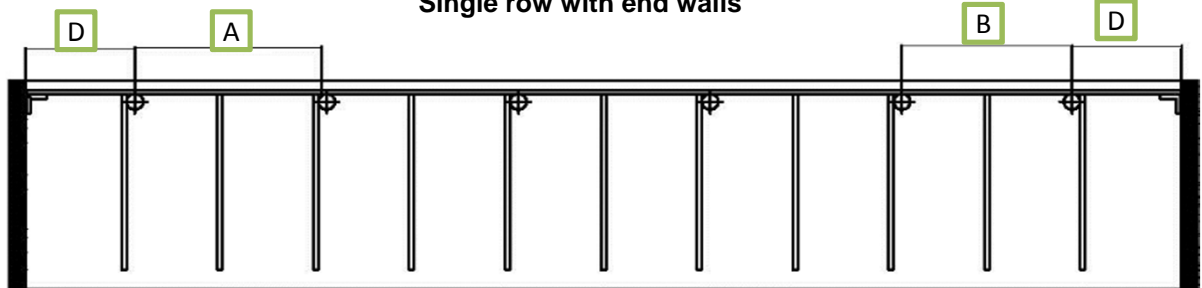
Single row no end wall



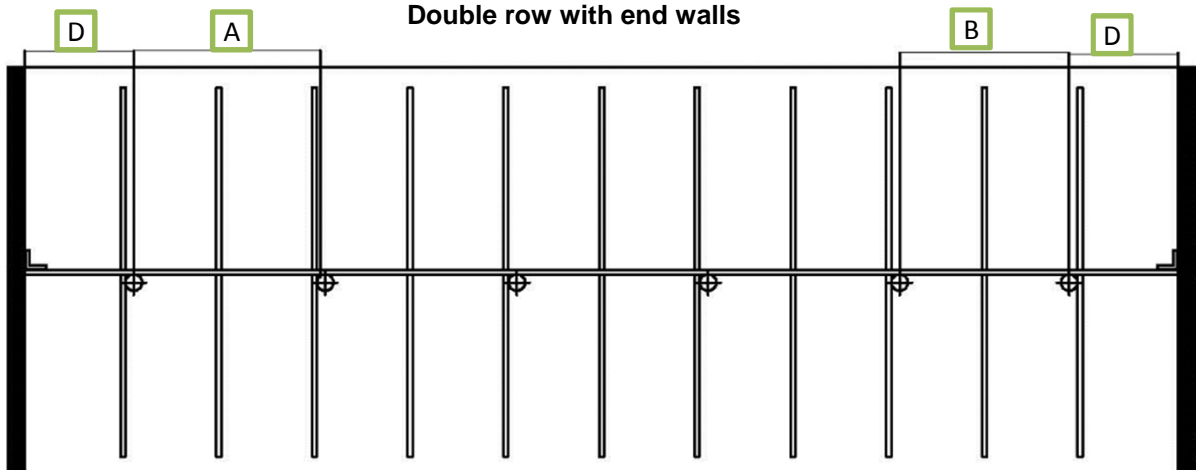
Double row no end wall



Single row with end walls



Double row with end walls



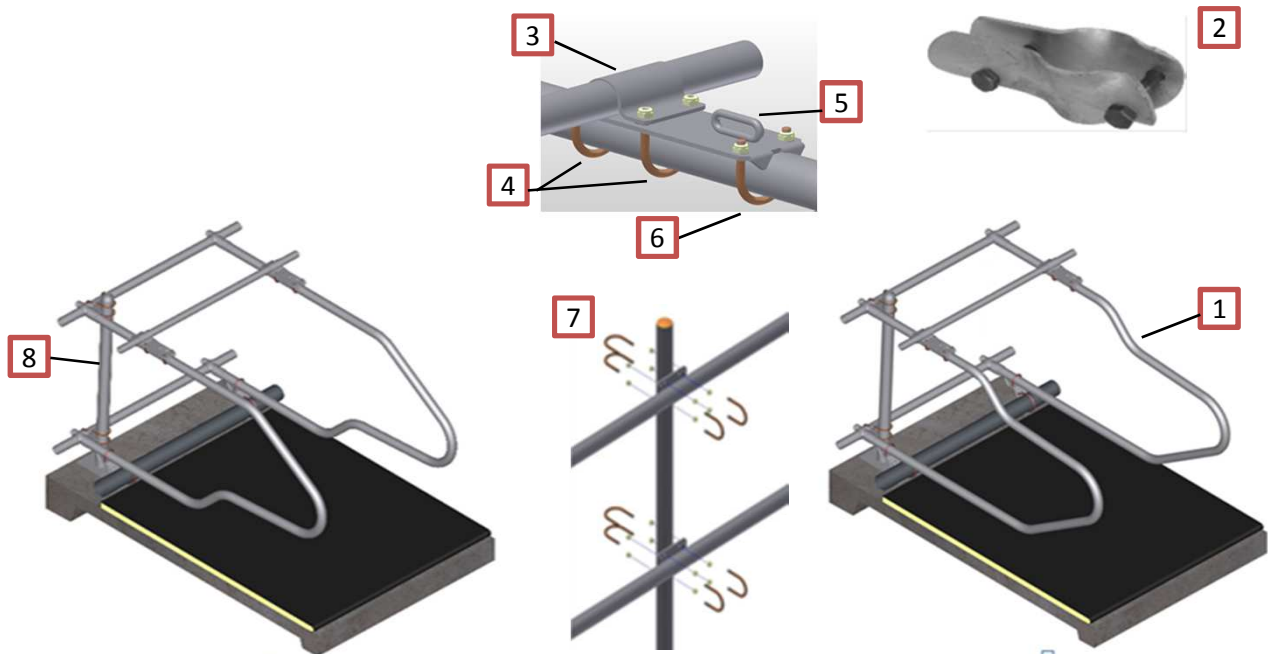
A	2x box width
B	Residual size
C	20 cm
D	Box width +20cm

Combi Comfort cubicles

Fitting to the horizontal bar

Material for single row

Figur	Part number	Note	Description	Size / Dimensions	Price€
1	5510-3319-010		Cubicle division Combi Comfort	190cm	
1	5510-3320-016		Cubicle division Combi Comfort	205cm	
1	5510-3321-013		Cubicle division Combi Comfort	215cm	
1	5510-3322-005		Cubicle division Combi Comfort	225cm	
1	5510-3319-011		Cubicle division Combi Comfort	190cm HN	
1	5510-3320-017		Cubicle division Combi Comfort	205cm HN	
1	5510-3321-014		Cubicle division Combi Comfort	215cm HN	
1	5510-3322-006		Cubicle division Combi Comfort	225cm HN	
2	5510-1766-000	2x	T-Clamp	2" x2" (60x60mm) + Bolt	
3	5510-3334-005	1x	Bow tube clamp	1.5" (48mm) x 2" (60mm)	
4	5585-1610-065	2x	Wire bracket + Lock Nuts	2" (60mm) M10x 93 Duplex	
5	5510-3334-001	Optional 1x	Bow tube clamp plate with eye	2" (60mm) Thickness=6mm	
6	5585-1610-065	Optional 1x extra	Wire bracket + Lock Nuts	2" (60mm) M10x 93 Duplex	
	5510-6075-108		Tube galvanized	2" (60x2.9mm) L=600cm Hgalv.	
	5510-6031-003		Tubecoupling	2" (60mm) + Bolt	
	5510-6075-106		Tube galvanized	1.5" (48x2.9mm) L=600cm Hgalv.	
	5510-6031-000		Tubecoupling	1.5" (48mm) + Bolt	
7	5510-3335-002	1x each post	Tube mountingset	2" x2.5" (60x 76mm)	
8	5550-2510-135		Support post on floor + cap	2.5" (76x3.7mm) L=135cm Hgalv.	
	5550-2515-150	Prefab Concrete	Support post on floor +double strut/cap	2.5" (76x3.7mm) L=150cm Hgalv.	
	5550-2510-160		Support post on floor + cap	2.5" (76x3.7mm) L=160cm Hgalv.	
	5580-4512-079	4x each post	Anchor bolt express	M12x 80mm 1-clip Hgalv.	
	5550-2505-160		Support post on workfloor + sleeve/cap	2.5" (76x3.7mm) L=160cm Hgalv.	
	5550-2505-170		Support post on workfloor + sleeve/cap	2.5" (76x3.7mm) L=170cm Hgalv.	
	5580-4512-081	4x each post	Anchor bolt express	M10x 70mm 1-clip Hgalv.	
	5550-2500-160		Support post in floor + sleeve/cap	2.5" (76x3.7mm) L=160cm Hgalv.	
	5550-2500-175		Support post in floor + sleeve/cap	2.5" (76x3.7mm) L=175cm Hgalv.	
	5550-2500-185		Support post in floor + sleeve/cap	2.5" (76x3.7mm) L=185cm Hgalv.	

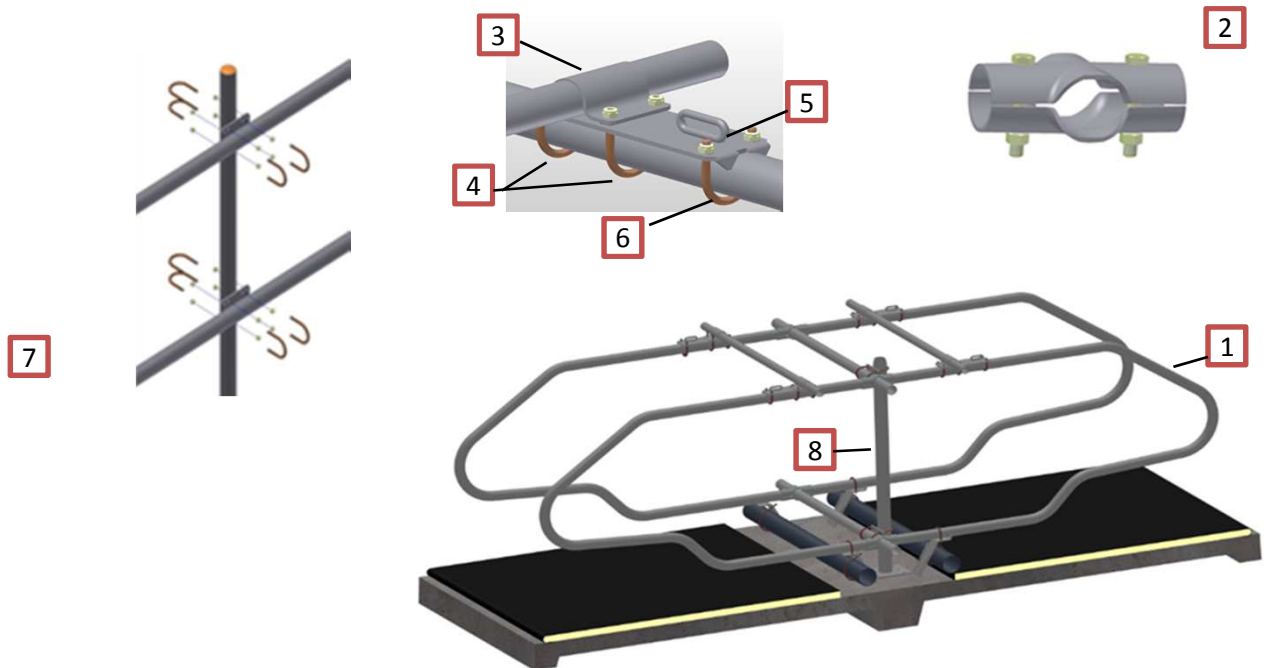


Combi Comfort cubicles

Fitting to the horizontal bar

Material for double row

Figur	Part number	Note	Description	Size / Dimensions
1	5510-3319-010		Cubicle division Combi Comfort	190cm
1	5510-3320-016		Cubicle division Combi Comfort	205cm
1	5510-3321-013		Cubicle division Combi Comfort	215cm
1	5510-3322-005		Cubicle division Combi Comfort	225cm
1	5510-3319-011		Cubicle division Combi Comfort	190cm HN
1	5510-3320-017		Cubicle division Combi Comfort	205cm HN
1	5510-3321-014		Cubicle division Combi Comfort	215cm HN
1	5510-3322-006		Cubicle division Combi Comfort	225cm HN
2	5510-1966-000	1 x each cubicle	Cross Clamp	2" x2" (60x60mm) + Bolts
3	5510-3334-005	1x	Bow tube clamp	1.5" (48mm) x 2" (60mm)
4	5585-1610-065	2x	Wire bracket + Lock Nuts	2" (60mm) M10x 93 Duplex
5	5510-3334-001	Optional 1x	Bow tube clamp plate with eye	2" (60mm) Thickness=6mm
6	5585-1610-065	Optional 1x extra	Wire bracket + Lock Nuts	2" (60mm) M10x 93 Duplex
	5510-6075-108		Tube galvanized	2" (60x2.9mm) L=600cm Hgalv.
	5510-6031-003		Tubecoupling	2" (60mm) + Bolt
	5510-6075-106		Tube galvanized	1.5" (48x2.9mm) L=600cm Hgalv.
	5510-6031-000		Tubecoupling	1.5" (48mm) + Bolt
7	5510-3335-002	1x each post	Tube mountingset	2" x2.5" (60x 76mm)
8	5550-2510-135		Support post on floor + cap	2.5" (76x3.7mm) L=135cm Hgalv.
	5550-2515-150	Prefab Concrete	Support post on floor +double strut/cap	2.5" (76x3.7mm) L=150cm Hgalv.
	5550-2510-160		Support post on floor + cap	2.5" (76x3.7mm) L=160cm Hgalv.
	5580-4512-079	4x each post	Anchor bolt express	M12x 80mm 1-clip Hgalv.
	5550-2505-160		Support post on workflow + sleeve/cap	2.5" (76x3.7mm) L=160cm Hgalv.
	5550-2505-170		Support post on workflow + sleeve/cap	2.5" (76x3.7mm) L=170cm Hgalv.
	5580-4512-081	4x each post	Anchor bolt express	M10x 70mm 1-clip Hgalv.
	5550-2500-160		Support post in floor + sleeve/cap	2.5" (76x3.7mm) L=160cm Hgalv.
	5550-2500-175		Support post in floor + sleeve/cap	2.5" (76x3.7mm) L=175cm Hgalv.
	5550-2500-185		Support post in floor + sleeve/cap	2.5" (76x3.7mm) L=185cm Hgalv.



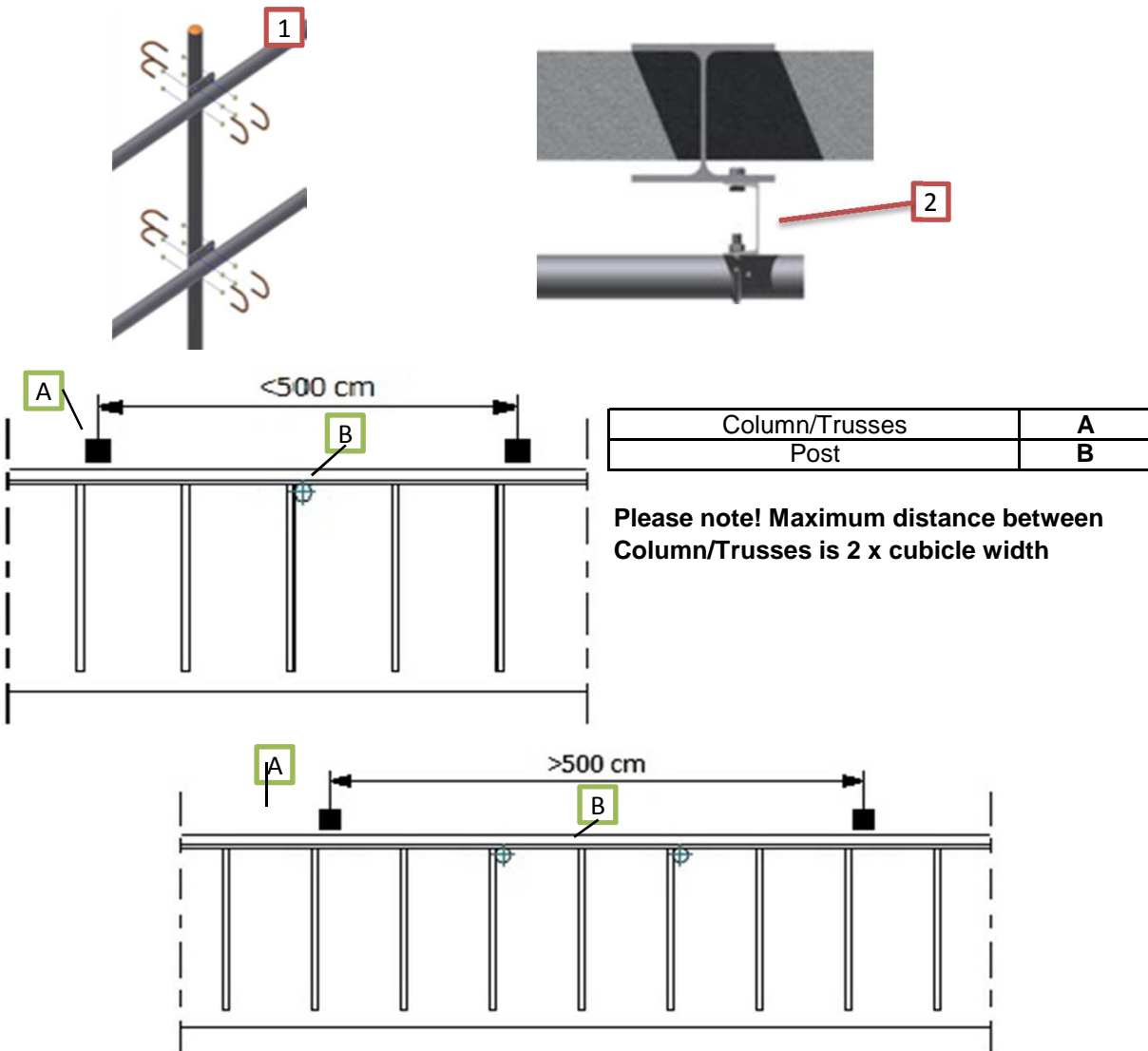
Combi Comfort cubicles

Tube mountingset

Figur	Part number	Note	Description	Size / Dimensions
1	5510-3335-002		Tube mountingset	2" x2.5" (60x 76mm)
1	5510-0001-002		Tube mountingset	2" x3" (60x 89mm)
1	5510-0001-003		Tube mountingset	2" x3.5" (60x102mm)
1	5510-0001-001		Tube mountingset	2" x4" (60x114mm)

Distanceholderset

Figur	Part number	Note	Description	Size / Dimensions
2	5510-3337-060		Distanceholderset tube on column	2" (60mm) 65mm
2	5510-3337-100		Distanceholderset tube on column	2" (60mm) 100mm
2	5510-3337-120		Distanceholderset tube on column	2" (60mm) 120mm
2	5510-3337-140		Distanceholderset tube on column	2" (60mm) 140mm
2	5510-3337-160		Distanceholderset tube on column	2" (60mm) 160mm
2	5510-3337-180		Distanceholderset tube on column	2" (60mm) 180mm
2	5510-3337-200		Distanceholderset tube on column	2" (60mm) 200mm
2	5510-3337-220		Distanceholderset tube on column	2" (60mm) 220mm



Combi Comfort cubicles

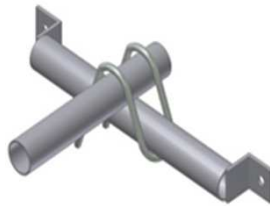
Wall mounting

Figur	Part number	Note	Description	Size / Dimensions
1	5550-6039-001		Wallbracket for bar fixed	1.5" (48mm)
2	5550-6039-000		Wallbracket for bar adjustable	1.5" (48mm)
3	5550-6039-004		Wallbracket high for bar adjustable	1.5" (48mm)
	5500-1200-165		Nylon plug	12mm
	5500-1000-188		Wood Screw	M10x 70mm Egalv.
	5580-4512-081		Anchor bolt express	M10x 70mm 1-clip Hgalv.

1



2



3



Clamping plates, nylon neck belts and wall mounting

Figur	Part number	Note	Description	Size / Dimensions
1	5510-3334-001		Bow tube clamp plate with eye	2" (60mm) Thickness=6mm
	5585-1610-065		Wire bracket + Lock Nuts	2" (60mm) M10x 93 Duplex
	5550-6035-013		Roll Nylon band	20m Yellow
	5550-6035-014		Roll Nylon band	40m Yellow
	5550-6035-015		Roll Nylon band	60m Yellow
	5550-6035-016		Roll Nylon band	80m Yellow
	5550-6035-012		Roll Nylon band	100m Yellow
2	5550-6035-006		Ratchet buckel with band and hook	Complete
	5550-6035-007	2x	Sliding buckle	50mm Coated
3	5510-3807-000		Wallbracket for nylon band	2" (60 mm) tube or wall
	5500-1200-165	4 x each holde	Nylon plug	12mm
	5500-1000-188	4 x each holde	Wood Screw	M10x 70mm Egalv.
	5580-4512-081	4 x each holde	Anchor bolt express	M10x 70mm 1-clip Hgalv.

1



2



3



Combi Comfort cubicles

Adjustable knee barrier

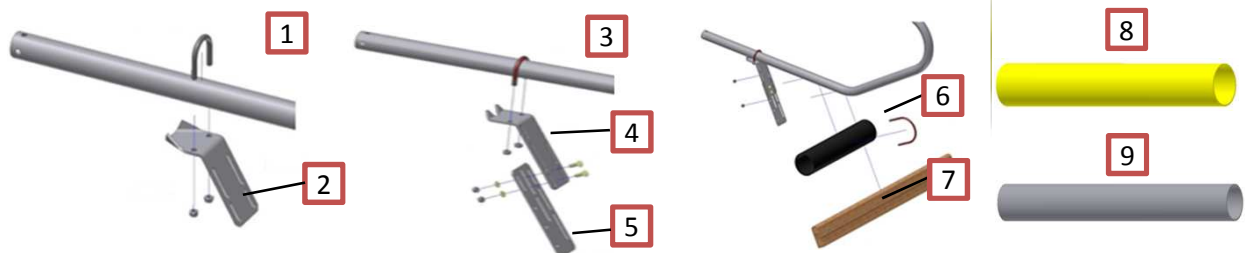
Fig	Part number	Note	Description	Size / Dimensions
1	5510-7110-005		Support Knee barrier	To 2" + Fixings, For Tube Max.110
2	5510-7110-003		Support knee barrier	2" (60 mm)
Attention! Wire Brackets for knee barrier must be ordered separately. Max ø110 mm tube				
6	5530-9660-010		Wire bracket + nuts	4" (114mm) M10x150 Hgalv.
6	5585-1510-055		Wire bracket	2" (60mm) M10x 85 Duplex
6	5585-1610-020		Wire bracket + Lock Nuts	1.5" (48mm) M10x 69 Duplex

Adjustable knee barrier

Fig	Part number	Note	Description	Size / Dimensions
3	5510-0000-101		Support knee barrier	To 2" + Fixings, Adjustable
4	5510-0000-062		Support knee barrier	To 2" + Fixings, For Tube Max.160
5	5510-0000-063		Adapter adjustable kneesupport universal	For Deepbedding / Combi / Flat
Attention! Wire Brackets for knee barrier must be ordered separately. Max ø160 mm tube				
6	5585-1612-030		Wire bracket + Lock Nuts	6" (159mm) M12x195 Duplex
6	5585-1512-000		Wire bracket + Lock Nuts	4.5" (127mm) M12x160 Duplex
6	5550-9660-003		Wire bracket + nuts	4" (114mm) M12x150 Hgalv.
6	5585-1612-015		Wire bracket + Lock Nuts	3" (89mm) M12x124 Duplex
6	5540-9660-007		Wire bracket + nuts	2.5" (76mm) M12x112 Hgalv.
6	5585-1612-010		Wire bracket + Lock Nuts	2" (60mm) M12x 90 Duplex
6	5585-1610-020		Wire bracket + Lock Nuts	1.5" (48mm) M10x 69 Duplex
	5585-3012-005	Optional 2x	Disk	M12 Duplex

Knee barrier

Fig	Part number	Note	Description	Size / Dimensions
8	5560-1512-003		Knee barrier PVC-Tube	160x6.2mm L=500cm
9	5510-3511-001		PE-Tube for Knee barrier	110x6.6mm L=600cm
	5510-7111-001		Tubecoupling Knee barrier	For PE-tube 110 mm
	5510-7111-007		Knee barrier endcap	PE 110 mm
	5510-6075-112		Tube galvanized	3" (89x3.3mm) L=600cm Hgalv.
	5510-6075-110		Tube galvanized	2.5" (76x3.3mm) L=600cm Hgalv.
	5510-6031-008		Tubecoupling	2.5" (76mm) + Bolt
	5510-6075-108		Tube galvanized	2" (60x2.9mm) L=600cm Hgalv.
	5510-6031-003		Tubecoupling	2" (60mm) + Bolt
7	5580-3300-002		Hardwood plank rounded on one side	375x14.3x2.7cm (LxWxH)
7	5580-3300-004		Hardwood plank rounded on one side	375x19.3x2.7cm (LxWxH)
	5585-1310-050	2 x each support	Coach Bolt with Nut	M10x 50mm Duplex
	5510-3335-000		Coupling plate	2.5" (76mm) x 2" (60mm)
	5585-1310-050	each coupling pl	Coach Bolt with Nut	M10x 50mm Duplex



Combi Comfort cubicles

Wall mounting bars

Fig	Part number	Note	Description	Size / Dimensions
1	5530-1907-090		Wallbracket for bar fixed	160mm
1a	5510-7111-005		Tube mounting rearbarrier	For PE-tube 110 mm To End Wall
2	5550-6039-003		Wallbracket for bar fixed	2.5" (76mm)
2	5550-6039-002		Wallbracket for bar fixed	2" (60mm)
3	5550-4285-001		Wallbracket for bar fixed	2" (60mm)
	5580-4512-081		Anchor bolt express	M10x 70mm 1-clip Hgalv.
	5500-1000-188		Wood Screw	M10x 70mm Egalv.
4	5550-5201-000		Board mounting rear barrier	90° 10x 5x13 cm (lwxh)



*The High Neckrail cubicle division is developed for large Holstein dairy cows.
Knee barrier required!*

We recommend use of a bow tube clamp plate with eye. (See cubicle division accessories)

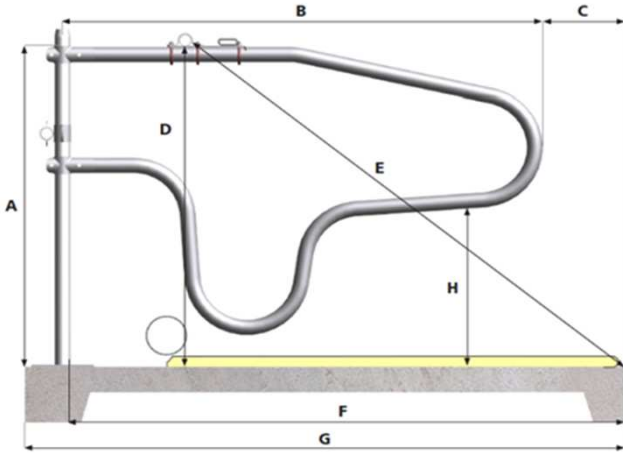
This price list concentrates on raised beds with a mattress.

Dimensions and products for combined beds and deep litter beds are

*Recommendation: All galvanised materials which may possibly come into
contact with bedding should be given an additional coating.*

Floating R-Cubicle

Floating R-cubicle division provides optimum freedom of movement and can be easily installed. Due to the special shape of the tube perfect guiding of the animals can be achieved. In combination with original GEA Farm Technologies cow mattresses or rubber mats you can achieve an optimum level of comfort for the cows.



Recommended dimensions

Cubicle Divisions	Recommended length of wall row	Minimum length of wall row	Box width Center to Center
Floating R-cubicle	2500 mm	> 2300 mm	1150 - 1200 mm
Floating R-cubicle	Double row > 2300 mm	Double row > 2300 mm	1150 - 1200 mm

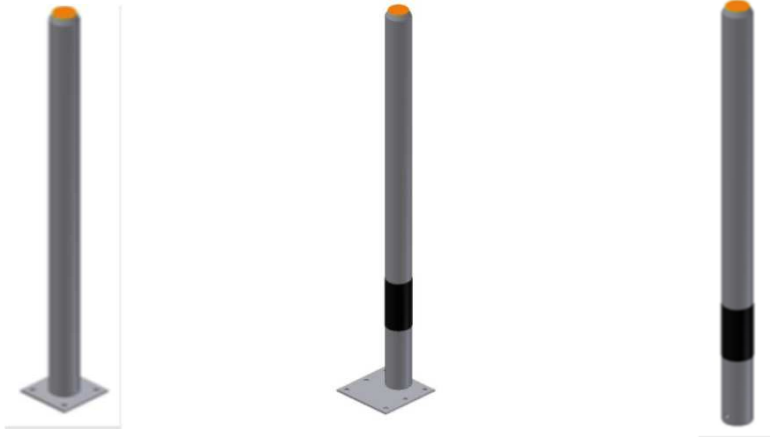
Recommended dimensions Floating R-Cubicle Fitting directly to the support post

	5510-8535-003	5510-8535-004	5510-8535-005	5510-8535-006
A	± 121 cm	± 121 cm	± 121 cm	± 121 cm
B	190 cm	200 cm	210 cm	220 cm
C	± 25 cm	± 25 cm	± 25 cm	± 25 cm
D	± 121 cm	± 121 cm	± 121 cm	± 121 cm
E	205 - 215 cm	205 - 215 cm	205 - 215 cm	205 - 215 cm
F	± 215 cm	± 225 cm	± 235 cm	± 245 cm
G	> 230 cm	> 240 cm	> 250 cm	> 260 cm
H	± 62 cm	± 62 cm	± 62 cm	± 62 cm

Recommended dimensions Floating R-Cubicle Fitting to the horizontal bar

	5510-8535-003	5510-8535-004	5510-8535-005	5510-8535-006
A	± 121 cm	± 121 cm	± 121 cm	± 121 cm
B	193 cm	203 cm	213 cm	223 cm
C	± 25 cm	± 25 cm	± 25 cm	± 25 cm
D	± 121 cm	± 121 cm	± 121 cm	± 121 cm
E	205 - 215 cm	205 - 215 cm	205 - 215 cm	205 - 215 cm
F	± 207 cm	± 217 cm	± 227 cm	± 237 cm
G	> 220 cm	> 230 cm	> 240 cm	> 250 cm
H	± 62 cm	± 62 cm	± 62 cm	± 62 cm

Floating R-Cubicle



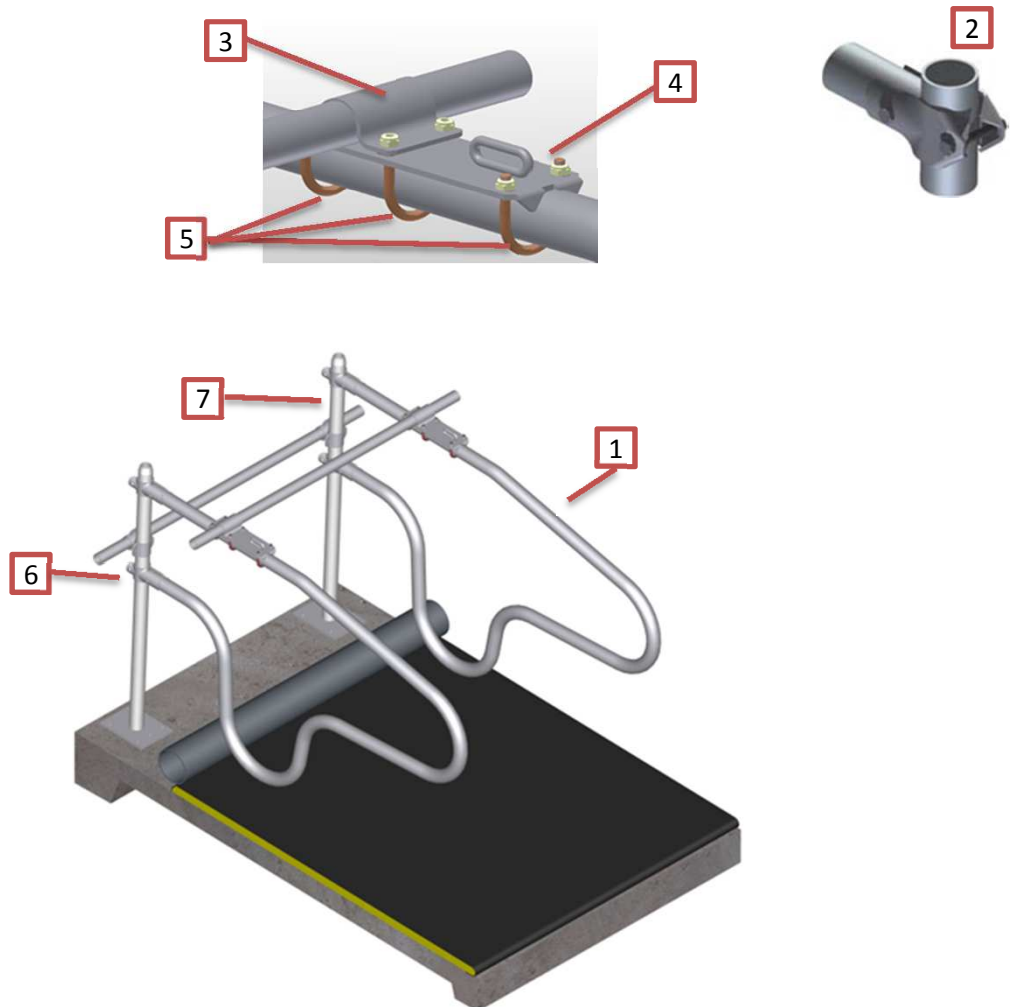
Support post Floating R				
Age	Bed Type	Support post on floor	Support post on workflow	Support post in floor
		2,5"	2,5"	2.5
Large stock	High	135	160	160
Large stock	Combi	135	160	160
Large stock	Deep litter bedding with concrete wall	135	160	160
Large stock	Deep litter bedding without concrete	160	160	175
Double rows on horizontal tube on prefabfloor: Use Support post 2,5" on floor with double strut.				

Floating R-Cubicle

Fitting directly to the support post

Material for single row

Figur	Part number	Note	Description	Size / Dimensions
1	5510-8535-003		Cubicle division Floating R	190cm (60x3.7mm)
2	5510-1776-000	2x	T-Clamp	2.5" x2" (76x60mm) + Bolt
3	5510-3334-005		Bow tube clamp	1.5" (48mm) x 2" (60mm)
4	5510-3334-001		Bow tube clamp plate with eye	2" (60mm) Thickness=6mm
5	5585-1610-065	3x	Wire bracket + Lock Nuts	2" (60mm) M10x 93 Duplex
	5510-6075-106	Per 6 meters	Tube galvanized	1.5" (48x2.9mm) L=600cm Hgalv.
	5510-6031-000		Tubecoupling	1.5" (48mm) + Bolt
6	5510-1266-002		Cross-over clamp with clamp brackets	2.5" x1.5" (76x48mm) + Bolts
7	5550-2510-135		Support post on floor + cap	2.5" (76x3.7mm) L=135cm Hgalv.
	5550-2515-150	Prefab Concrete	Support post on floor +double strut/cap	2.5" (76x3.7mm) L=150cm Hgalv.
	5550-2510-160		Support post on floor + cap	2.5" (76x3.7mm) L=160cm Hgalv.
	5580-4512-079	4x each post	Anchor bolt express	M12x 80mm 1-clip Hgalv.
	5550-2505-160		Support post on workflow + sleeve/cap	2.5" (76x3.7mm) L=160cm Hgalv.
	5550-2505-170		Support post on workflow + sleeve/cap	2.5" (76x3.7mm) L=170cm Hgalv.
	5580-4512-081	4x each post	Anchor bolt express	M10x 70mm 1-clip Hgalv.
	5550-2500-160		Support post in floor + sleeve/cap	2.5" (76x3.7mm) L=160cm Hgalv.
	5550-2500-175		Support post in floor + sleeve/cap	2.5" (76x3.7mm) L=175cm Hgalv.
	5550-2500-185		Support post in floor + sleeve/cap	2.5" (76x3.7mm) L=185cm Hgalv.

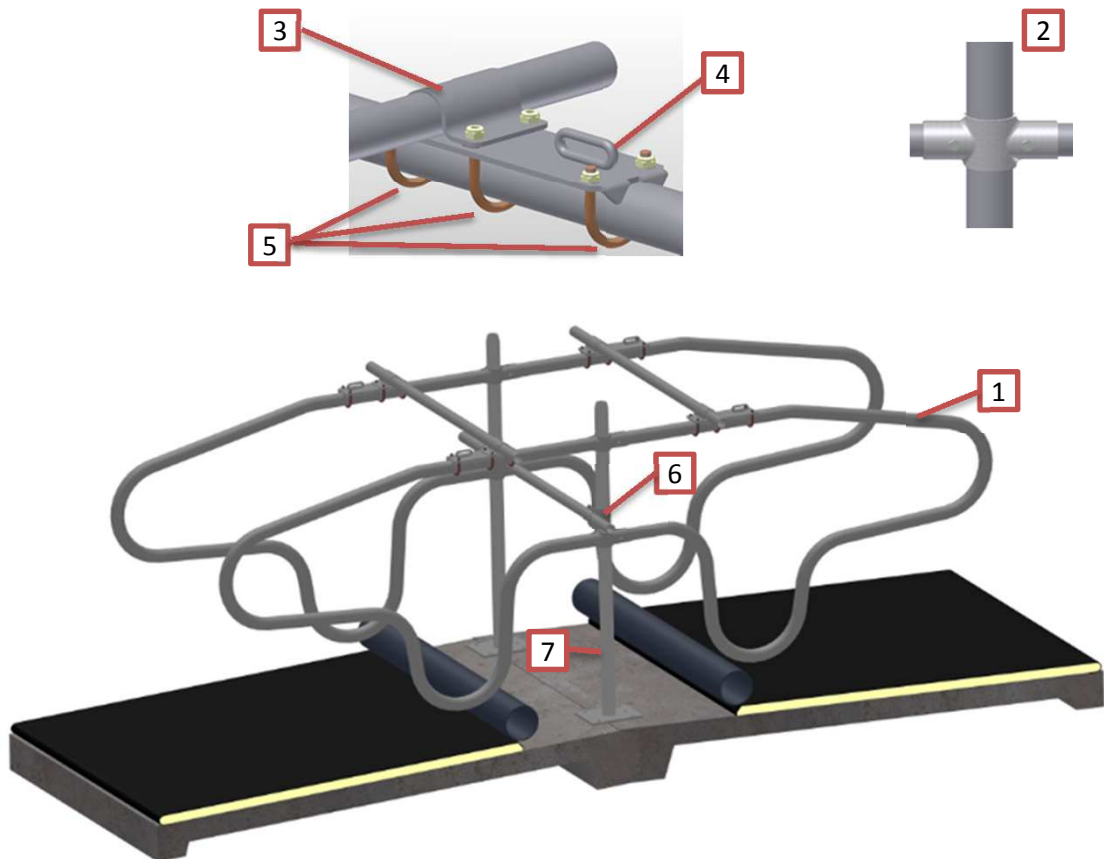


Floating R-Cubicle

Fitting directly to the support post

Material for double row

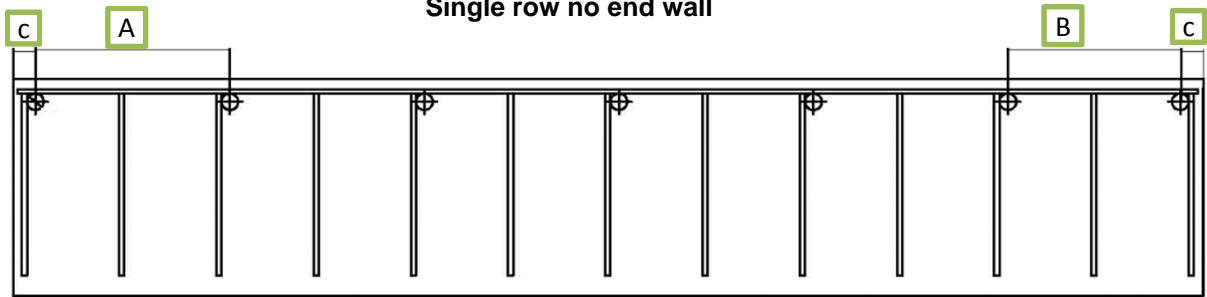
Figur	Part number	Note	Description	Size / Dimensions
1	5510-8535-003		Cubicle division Floating R	190cm (60x3.7mm)
1	5510-8535-004		Cubicle division Floating R	200cm (60x3.7mm)
1	5510-8535-005		Cubicle division Floating R	210cm (60x3.7mm)
1	5510-8535-006		Cubicle division Floating R	220cm (60x3.7mm)
2	5510-1231-003	2x	Cross Clamp	2" x2.5" (60x76mm) + Bolts
3	5510-3334-005		Bow tube clamp	1.5" (48mm) x 2" (60mm)
4	5510-3334-001		Bow tube clamp plate with eye	2" (60mm) Thickness=6mm
5	5585-1610-065	3x	Wire bracket + Lock Nuts	2" (60mm) M10x 93 Duplex
6	5510-1266-002	Optional 1x each post	Cross-over clamp with clamp brackets	2.5" x1.5" (76x48mm) + Bolts
	5510-6075-106	Per 6 meters	Tube galvanized	1.5" (48x2.9mm) L=600cm Hgalv.
	5510-6031-000		Tubecoupling	1.5" (48mm) + Bolt
7	5550-2510-135		Support post on floor + cap	2.5" (76x3.7mm) L=135cm Hgalv.
	5550-2515-150	Prefab Concrete	Support post on floor +double strut/cap	2.5" (76x3.7mm) L=150cm Hgalv.
	5550-2510-160		Support post on floor + cap	2.5" (76x3.7mm) L=160cm Hgalv.
	5580-4512-079	4x each post	Anchor bolt express	M12x 80mm 1-clip Hgalv.
	5550-2505-160		Support post on workflow + sleeve/cap	2.5" (76x3.7mm) L=160cm Hgalv.
	5550-2505-170		Support post on workflow + sleeve/cap	2.5" (76x3.7mm) L=170cm Hgalv.
	5580-4512-081	4x each post	Anchor bolt express	M10x 70mm 1-clip Hgalv.
	5550-2500-160		Support post in floor + sleeve/cap	2.5" (76x3.7mm) L=160cm Hgalv.
	5550-2500-175		Support post in floor + sleeve/cap	2.5" (76x3.7mm) L=175cm Hgalv.
	5550-2500-185		Support post in floor + sleeve/cap	2.5" (76x3.7mm) L=185cm Hgalv.



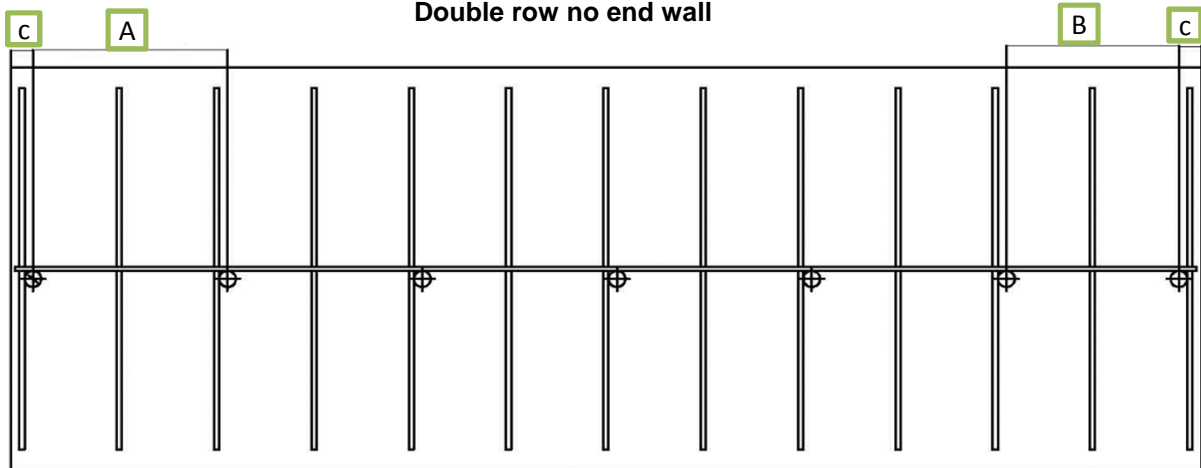
Floating R-Cubicle

Fitting to the horizontal bar

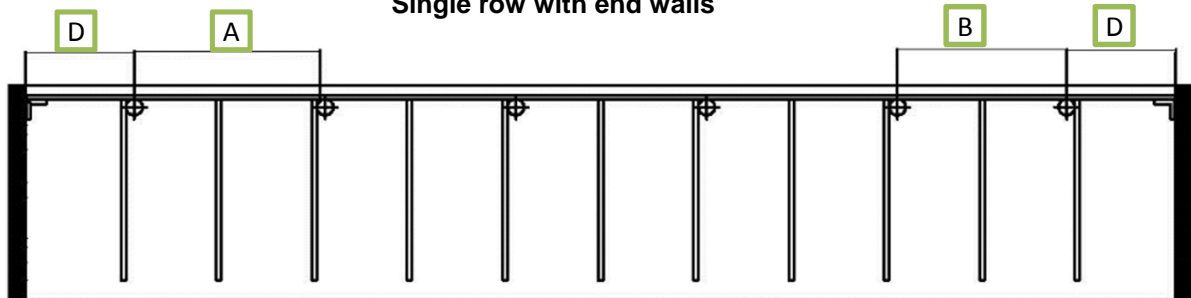
Single row no end wall



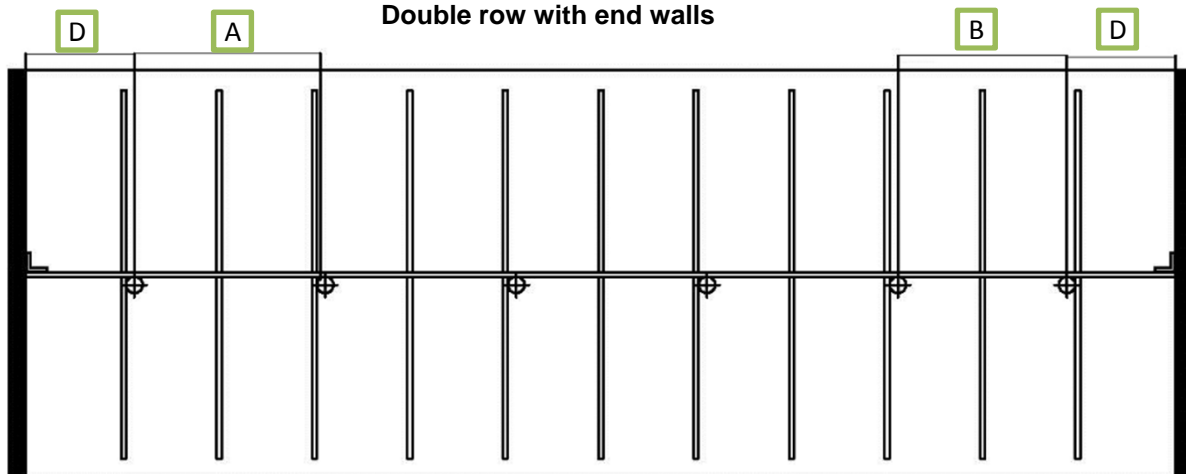
Double row no end wall



Single row with end walls



Double row with end walls



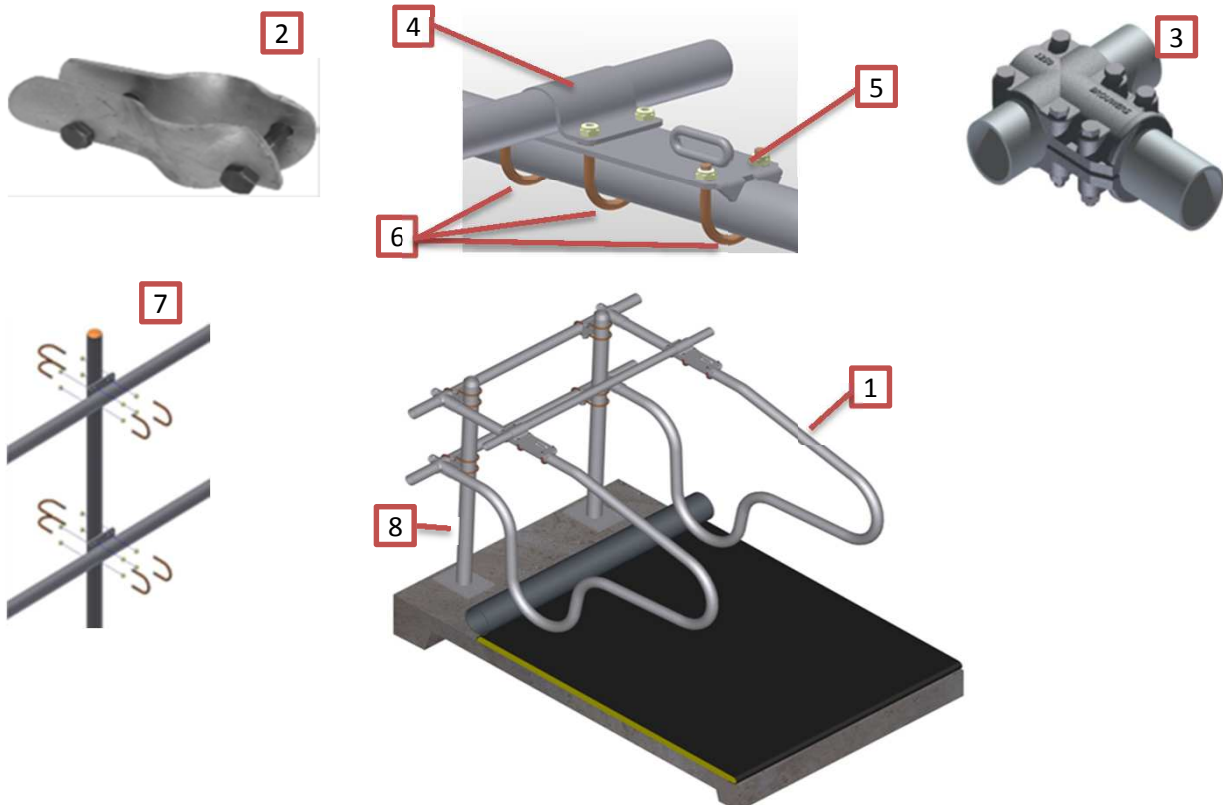
A	2x box width
B	Residual size
C	20 cm
D	Box width +20cm

Floating R-Cubicle

Fitting to the horizontal bar

Material for single row

Figur	Part number	Note	Description	Size / Dimensions
1	5510-8535-003		Cubicle division Floating R	190cm (60x3.7mm)
	5510-8535-004		Cubicle division Floating R	200cm (60x3.7mm)
	5510-8535-005		Cubicle division Floating R	210cm (60x3.7mm)
	5510-8535-006		Cubicle division Floating R	220cm (60x3.7mm)
2	5510-1766-000	1 x above	T-Clamp	2" x2" (60x60mm) + Bolt
3	5510-1250-000	1 x under	T-Clamp in two pieces cast-iron	2" x2" (60x60mm) + Bolts
4	5510-3334-005	1x	Bow tube clamp	1.5" (48mm) x 2" (60mm)
5	5510-3334-001	1x	Bow tube clamp plate with eye	2" (60mm) Thickness=6mm
6	5585-1610-065	3x	Wire bracket + Lock Nuts	2" (60mm) M10x 93 Duplex
	5510-6075-108		Tube galvanized	2" (60x2.9mm) L=600cm Hgalv.
	5510-6031-003		Tubecoupling	2" (60mm) + Bolt
	5510-6075-106		Tube galvanized	1.5" (48x2.9mm) L=600cm Hgalv.
	5510-6031-000		Tubecoupling	1.5" (48mm) + Bolt
7	5510-3335-002		Tube mountingset	2" x2.5" (60x 76mm)
8	5550-2510-135		Support post on floor + cap	2.5" (76x3.7mm) L=135cm Hgalv.
	5550-2515-150	Prefab Concrete	Support post on floor +double strut/cap	2.5" (76x3.7mm) L=150cm Hgalv.
	5550-2510-160		Support post on floor + cap	2.5" (76x3.7mm) L=160cm Hgalv.
	5580-4512-079	4x each post	Anchor bolt express	M12x 80mm 1-clip Hgalv.
	5550-2505-160		Support post on workfloor + sleeve/cap	2.5" (76x3.7mm) L=160cm Hgalv.
	5550-2505-170		Support post on workfloor + sleeve/cap	2.5" (76x3.7mm) L=170cm Hgalv.
	5580-4512-081	4x each post	Anchor bolt express	M10x 70mm 1-clip Hgalv.
	5550-2500-160		Support post in floor + sleeve/cap	2.5" (76x3.7mm) L=160cm Hgalv.
	5550-2500-175		Support post in floor + sleeve/cap	2.5" (76x3.7mm) L=175cm Hgalv.
	5550-2500-185		Support post in floor + sleeve/cap	2.5" (76x3.7mm) L=185cm Hgalv.

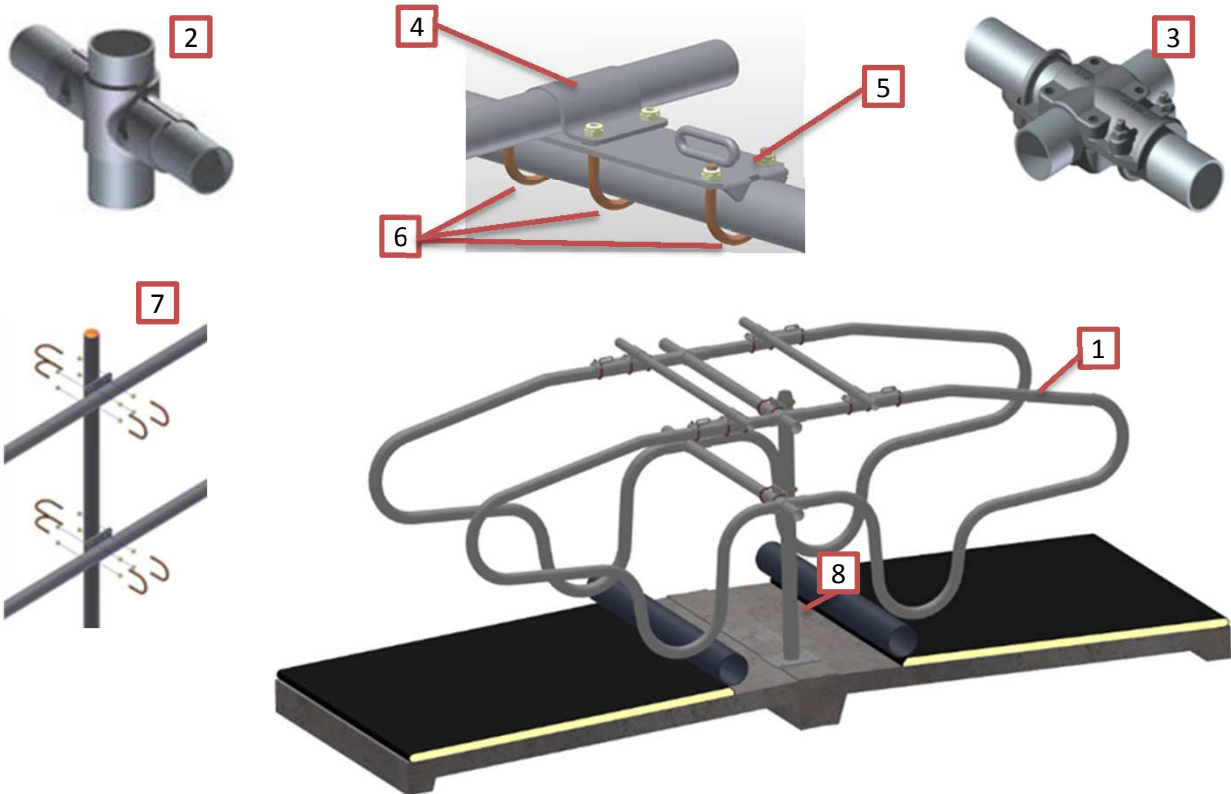


Floating R-Cubicle

Fitting to the horizontal bar

Material for double row

Figur	Part number	Note	Description	Size / Dimensions
1	5510-8535-003		Cubicle division Floating R	190cm (60x3.7mm)
	5510-8535-004		Cubicle division Floating R	200cm (60x3.7mm)
	5510-8535-005		Cubicle division Floating R	210cm (60x3.7mm)
	5510-8535-006		Cubicle division Floating R	220cm (60x3.7mm)
2	5510-1966-000	1 x above	Cross Clamp	2" x2" (60x60mm) + Bolts
3	5510-1252-000	1 x under	Cross Clamp cast iron	2" x2" (60x60mm)
4	5510-3334-005	1x	Bow tube clamp	1.5" (48mm) x 2" (60mm)
5	5510-3334-001	1x	Bow tube clamp plate with eye	2" (60mm) Thickness=6mm
6	5585-1610-065	3x	Wire bracket + Lock Nuts	2" (60mm) M10x 93 Duplex
	5510-6075-108		Tube galvanized	2" (60x2.9mm) L=600cm Hgalv.
	5510-6031-003		Tubecoupling	2" (60mm) + Bolt
	5510-6075-106		Tube galvanized	1.5" (48x2.9mm) L=600cm Hgalv.
	5510-6031-000		Tubecoupling	1.5" (48mm) + Bolt
7	5510-3335-002		Tube mountingset	2" x2.5" (60x 76mm)
8	5550-2510-135		Support post on floor + cap	2.5" (76x3.7mm) L=135cm Hgalv.
	5550-2515-150	Prefab Concrete	Support post on floor +double strut/cap	2.5" (76x3.7mm) L=150cm Hgalv.
	5550-2510-160		Support post on floor + cap	2.5" (76x3.7mm) L=160cm Hgalv.
	5580-4512-079	4x each post	Anchor bolt express	M12x 80mm 1-clip Hgalv.
	5550-2505-160		Support post on workflow + sleeve/cap	2.5" (76x3.7mm) L=160cm Hgalv.
	5550-2505-170		Support post on workflow + sleeve/cap	2.5" (76x3.7mm) L=170cm Hgalv.
	5580-4512-081	4x each post	Anchor bolt express	M10x 70mm 1-clip Hgalv.
	5550-2500-160		Support post in floor + sleeve/cap	2.5" (76x3.7mm) L=160cm Hgalv.
	5550-2500-175		Support post in floor + sleeve/cap	2.5" (76x3.7mm) L=175cm Hgalv.
	5550-2500-185		Support post in floor + sleeve/cap	2.5" (76x3.7mm) L=185cm Hgalv.



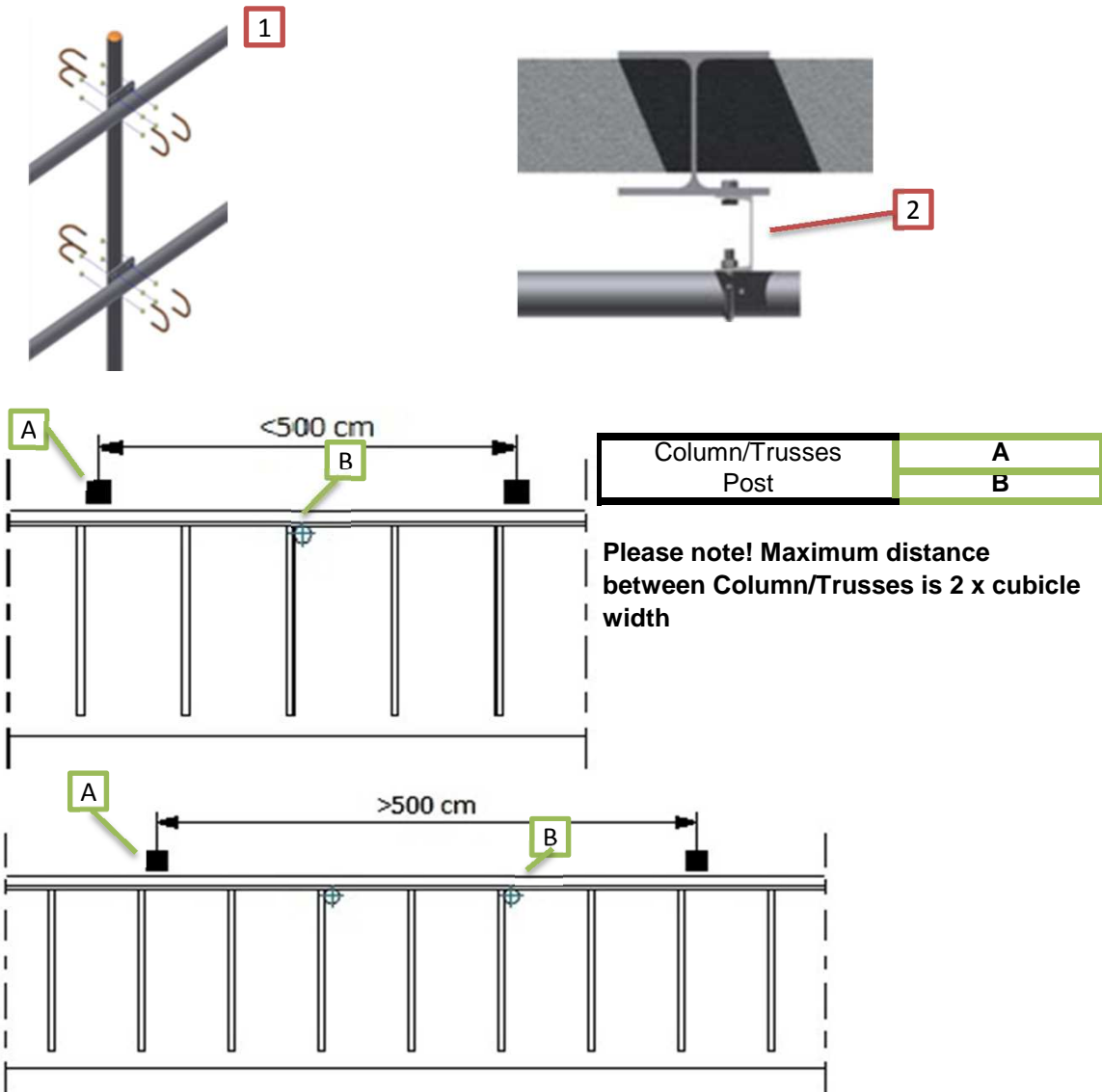
Floating R-Cubicle

Tube mountingset

Figur	Part number	Note	Description	Size / Dimensions	
1	5510-3335-002		Tube mountingset	2" x2.5" (60x 76mm)	
1	5510-0001-002		Tube mountingset	2" x3" (60x 89mm)	
1	5510-0001-003		Tube mountingset	2" x3.5" (60x102mm)	
1	5510-0001-001		Tube mountingset	2" x4" (60x114mm)	

Distanceholderset

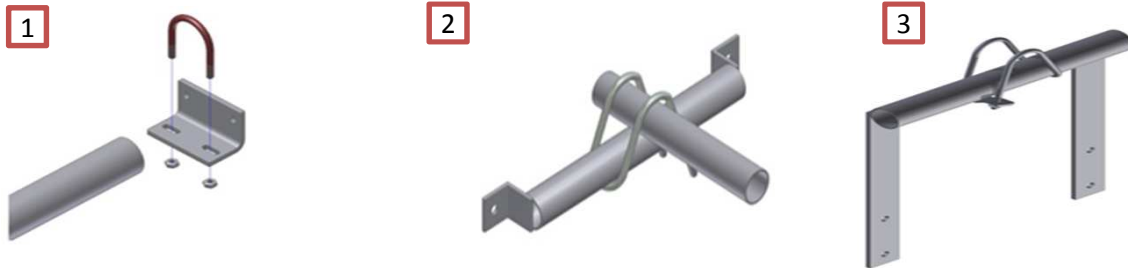
Figur	Part number	Note	Description	Size / Dimensions	
2	5510-3337-060		Distanceholderset tube on column	2" (60mm) 65mm	
2	5510-3337-100		Distanceholderset tube on column	2" (60mm) 100mm	
2	5510-3337-120		Distanceholderset tube on column	2" (60mm) 120mm	
2	5510-3337-140		Distanceholderset tube on column	2" (60mm) 140mm	
2	5510-3337-160		Distanceholderset tube on column	2" (60mm) 160mm	
2	5510-3337-180		Distanceholderset tube on column	2" (60mm) 180mm	
2	5510-3337-200		Distanceholderset tube on column	2" (60mm) 200mm	
2	5510-3337-220		Distanceholderset tube on column	2" (60mm) 220mm	



Floating R-Cubicle

Wall mounting

Figur	Part number	Note	Description	Size / Dimensions
1	5550-6039-001		Wallbracket for bar fixed	1.5" (48mm)
2	5550-6039-000		Wallbracket for bar adjustable	1.5" (48mm)
3	5550-6039-004		Wallbracket high for bar adjustable	1.5" (48mm)
	5500-1200-165		Nylon plug	12mm
	5500-1000-188		Wood Screw	M10x 70mm Egalv.
	5580-4512-081		Anchor bolt express	M10x 70mm 1-clip Hgalv.



Clamping plates, nylon neck belts and wall mounting

Figur	Part number	Note	Description	Size / Dimensions	Price €
1	5510-3334-001		Bow tube clamp plate with eye	2" (60mm) Thickness=6mm	7,20
	5585-1610-065		Wire bracket + Lock Nuts	2" (60mm) M10x 93 Duplex	0,90
	5550-6035-013		Roll Nylon band	20m Yellow	43,40
	5550-6035-014		Roll Nylon band	40m Yellow	87,00
	5550-6035-015		Roll Nylon band	60m Yellow	130,00
	5550-6035-016		Roll Nylon band	80m Yellow	174,00
	5550-6035-012		Roll Nylon band	100m Yellow	217,00
2	5550-6035-006		Ratchet buckel with band and hook	Complete	24,10
	5550-6035-007	2x	Sliding buckle	50mm Coated	3,85
3	5510-3807-000		Wallbracket for nylon band	2" (60 mm) tube or wall	7,00
	5500-1200-165	4 x each holder	Nylon plug	12mm	0,30
	5500-1000-188	4 x each holder	Wood Screw	M10x 70mm Egalv.	0,20
	5580-4512-081	4 x each holder	Anchor bolt express	M10x 70mm 1-clip Hgalv.	1,65

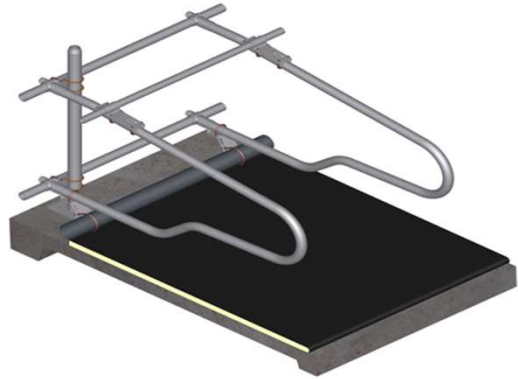
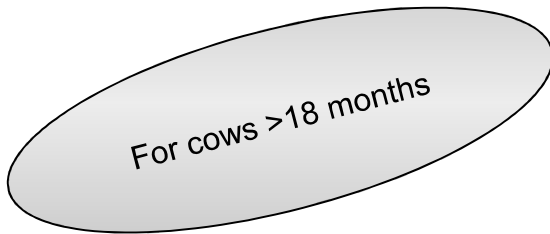


Bow tube clamp plate required. (See accessories cubicle)
This price list concentrates on raised beds with a mattress.
Dimensions and products for combined beds and deep litter beds are
Recommendation: All galvanised materials which may possibly come into
contact with bedding should be given an additional coating.

Basic Cubicles 190 cm

The self-supporting Basic cubicles provides optimum freedom of movement and can be easily installed. In combination with original GEA Farm Technologies cow mattresses or rubber mats you can achieve an optimum level of comfort for the cows.

Mounted

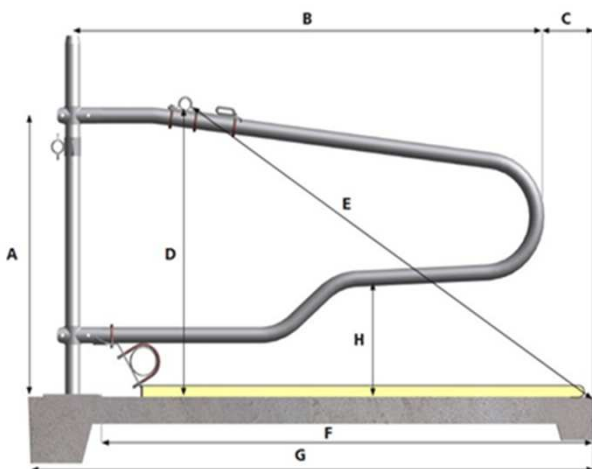


Recommended dimensions

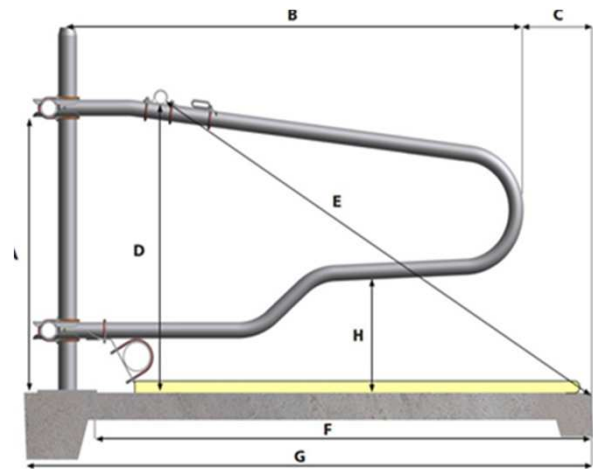
Cubicle Divisions	Recommended length of wall row	Minimum length of wall row	Box width Center to Center
Basic Cubicles 190 cm	2500 mm	> 2300 mm	1100 - 1200 mm
Basic Cubicles 190 cm	Double row > 2300 mm	Double row > 2300 mm	1100 - 1200 mm

Recommended dimensions Type R

	Fitting directly to the support post 5510--3319-000	Fitting to the horizontal bar 5510-3319-000
A	± 88 cm	± 88 cm
B	190 cm	190 cm
C	± 25 cm	± 25 cm
D	± 112 cm	± 112 cm
E	190 - 200 cm	191 - 200 cm
F	± 212 cm	± 204 cm
G	> 230 cm	> 220 cm
H	± 55 cm	± 55 cm

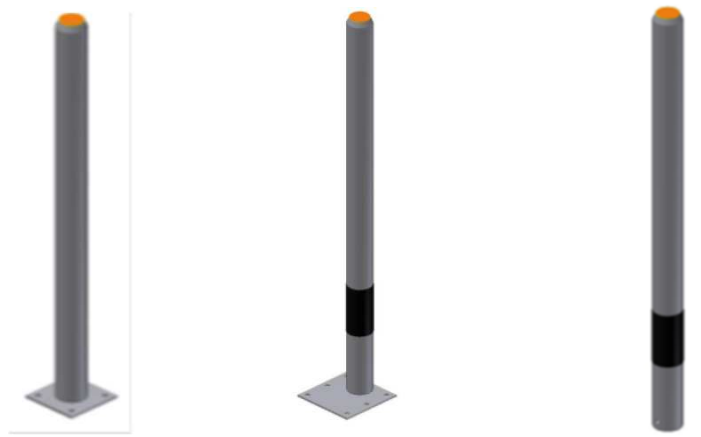


Fitting directly to the support post



Fitting to the horizontal bar

Basic Cubicles 190 cm



Support post Basic Cubicles

Age	Bed Type	Support post on floor 2,5"	Support post on workfloor 2,5"	Support post in floor 2.5
Large stock	High	135	160	160
Large stock	Combi	135	160	160
Large stock	Deep litter bedding with	135	160	160
Large stock	Deep litter bedding without	160	160	175
Double rows on horizontal tube on prefabfloor: Use Support post 2,5" on floor with double strut.				

Basic Cubicles 190 cm

Figure	Part number	Note	Description	Size / Dimensions	Price €
	5510-3319-000		Cubicle division Basic	190cm	53,00

For accessories see chapter Combi Comfort cubicles

English R-Cubicle



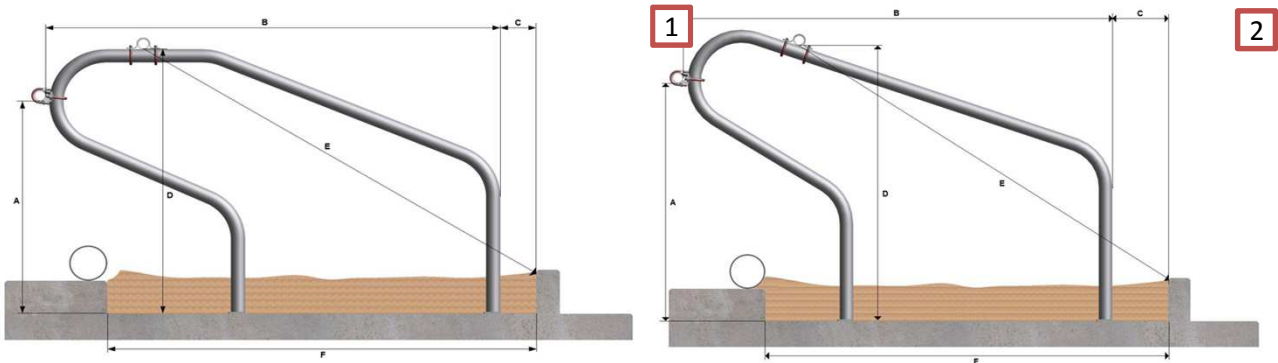
Recommended dimensions

Cubicle Divisions	Recommended length of wall row	Minimum length of wall row	Box width Center to
English R-Cubicle	2500 mm	> 2300 mm	1150 - 1200 mm
English R-Cubicle	Double row > 2300 mm	Double row > 2300 mm	1150 - 1200 mm

Recommended Dimensions English R-Cubicle

	5510-3419-002	5510-0000-050
A	90 cm	100-110 cm
B	190 cm	190 cm
C	± 20 cm	± 20 cm
D	± 120 cm	± 130 cm
E	190 - 200 cm	190 - 200 cm
F	180 cm	180 cm

Length between legs 100 cm



English R-Cubicle

Fig	Part number	Note	Description	Size / Dimensions	Price €
1	5510-3419-002		Cubicle division English R	190cm (60x3.7mm)	
2	5510-0000-050		Cubicle division English R	190cm HN (60x3.7mm)	
	5580-4512-079	4x	Anchor bolt express	M12x 80mm 1-clip Hgalv.	
	5510-3334-005		Bow tube clamp	1.5" (48mm) x 2" (60mm)	
	5585-1610-065		Wire bracket + Lock Nuts	2" (60mm) M10x 93 Duplex	
	5510-9620-007	2x	Cross-over clamp with wire brackets	2" x 1.5" (60x48mm)	

For double row, calculate 2

Recommendation: All galvanised materials which may possibly come into contact with bedding should be given an additional coating.

For accessories see chapter Combi Comfort cubicles

This cubicle is ideal for deeplitter and Combi- beddings.

The English R-cubicle High Neckrail is not recommended at a high bedding.

Support posts Cubicle



Support posts Cubicle				
Age	Bed Type	Support post on floor	Support post on workflow	Support post in floor
		2,5"	2,5"	2.5
Large stock	High	135	160	160
Livestock HN > 150cm	High	135	160	160
Large stock	Combi	135	160	160
Livestock HN > 150cm	Combi	160	160	175
Large stock	Deep litter bedding with	135	160	160
Livestock HN > 150cm	Deep litter bedding with	135	160	160
Large stock	Deep litter bedding without	160	160	175
Livestock HN > 150cm	Deep litter bedding without	160	170	185
Double rows on horizontal tube on prefabfloor: Use Support post 2,5" on floor with double strut.				

Support posts Cubicle

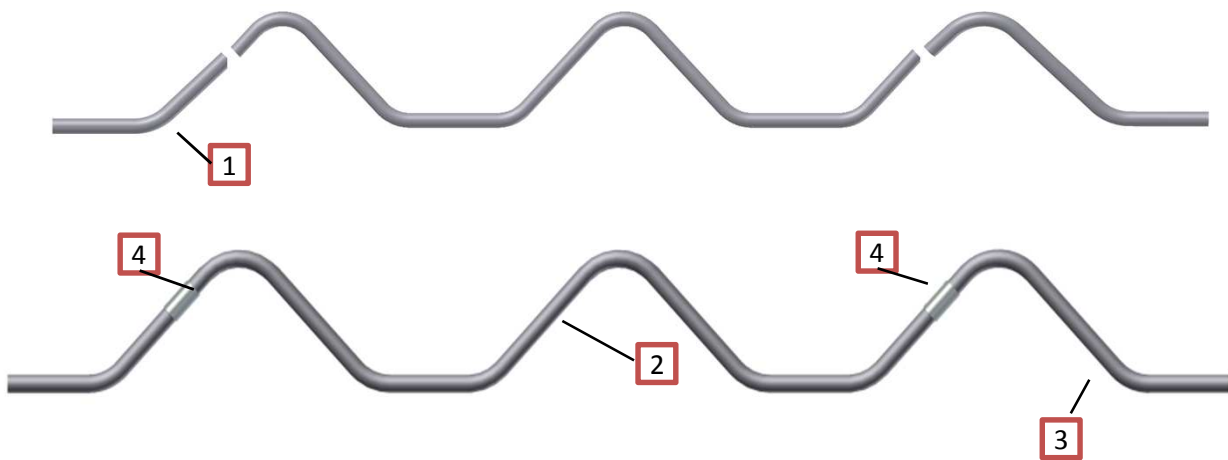
Figur	Part number	Note	Description	Size / Dimensions
Support post on floor				
1	5550-2510-120		Support post on floor + cap	2.5" (76x3.7mm) L=120cm Hgalv.
1	5550-2510-135		Support post on floor + cap	2.5" (76x3.7mm) L=135cm Hgalv.
2	5550-2515-150		Support post on floor +double strut/cap	2.5" (76x3.7mm) L=150cm Hgalv.
1	5550-2510-160		Support post on floor + cap	2.5" (76x3.7mm) L=160cm Hgalv.
Support post on workflow				
3	5550-2505-140		Support post on workflow + sleeve/cap	2.5" (76x3.7mm) L=140cm Hgalv.
3	5550-2505-160		Support post on workflow + sleeve/cap	2.5" (76x3.7mm) L=160cm Hgalv.
3	5550-2505-170		Support post on workflow + sleeve/cap	2.5" (76x3.7mm) L=170cm Hgalv.
3	5550-2505-180		Support post on workflow + sleeve/cap	2.5" (76x3.7mm) L=180cm Hgalv.
3	5550-2505-200		Support post on workflow + sleeve/cap	2.5" (76x3.7mm) L=200cm Hgalv.
Support post in floor				
4	5550-2500-145		Support post in floor + sleeve/cap	2.5" (76x3.7mm) L=145cm Hgalv.
4	5550-2500-160		Support post in floor + sleeve/cap	2.5" (76x3.7mm) L=160cm Hgalv.
4	5550-2500-175		Support post in floor + sleeve/cap	2.5" (76x3.7mm) L=175cm Hgalv.
4	5550-2500-185		Support post in floor + sleeve/cap	2.5" (76x3.7mm) L=185cm Hgalv.
4	5550-2500-200		Support post in floor + sleeve/cap	2.5" (76x3.7mm) L=200cm Hgalv.

Recommendation: All galvanised materials which may possibly come into contact with bedding should be given an additional coating.

Options Cubicle Divisions

Wave shoulder bar

Figur	Part number	Note	Description	Size / Dimensions
1	5510-6075-890	1x	Wave shoulder bar initial piece	1.5" Universal
2	5510-6075-850	1x	Wave shoulder bar	1.5" Ctc. 110 cm
2	5510-6075-800	1x	Wave shoulder bar	1.5" Ctc. 112,5 cm
2	5510-6075-810	1x	Wave shoulder bar	1.5" Ctc. 115 cm
2	5510-6075-820	1x	Wave shoulder bar	1.5" Ctc. 117,5 cm
2	5510-6075-830	1x	Wave shoulder bar	1.5" Ctc. 120 cm
2	5510-6075-840	1x	Wave shoulder bar	1.5" Ctc. 125 cm
3	5510-6075-892	1x	Wave shoulder bar end piece	1.5" Universal
4	5510-6075-894	1x	Wave shoulder bar coupling bush	1.5" Gegoten



A curved neck rail can be selected instead of a straight neck rail.

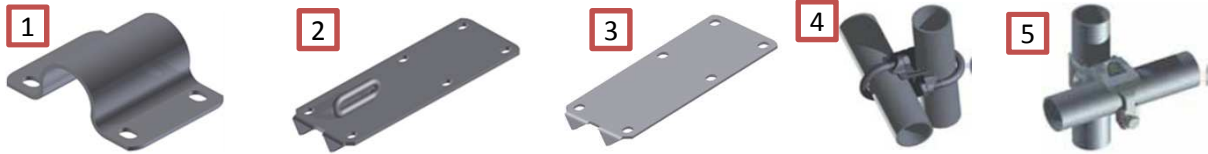
The installation parts to be selected for mounting on wall or cubicle are the same as for the straight neck rail.

The curved neck rail can only be fastened to the cubicle in combination with a bow tube clamp plate.
Not in combination with type R and English type R.

Options Cubicle Divisions

Neck bar mounting

Figur	Part number	Note	Description	Size / Dimensions
1	5510-3334-005	1x	Bow tube clamp	1.5" (48mm) x 2" (60mm)
	5585-1610-065	2x	Wire bracket + Lock Nuts	2" (60mm) M10x 93 Duplex
2	5510-3334-001	Optional 1x	Bow tube clamp plate with eye	2" (60mm) Thickness=6mm
3	5510-3334-002	Optional 1x	Bow tube clamp plate	2" (60mm) Thickness=4mm
	5585-1610-065	Optional 1x extra	Wire bracket + Lock Nuts	2" (60mm) M10x 93 Duplex
4	5510-9620-004		Cross-over clamp with wire brackets	1.5" x1.5" (48x48mm)
5	5510-9622-001		Cross-over clamp with clamps bracket	1.5" x1.5" (48x48mm)
4	5510-9620-007		Cross-over clamp with wire brackets	2" x1.5" (60x48mm)



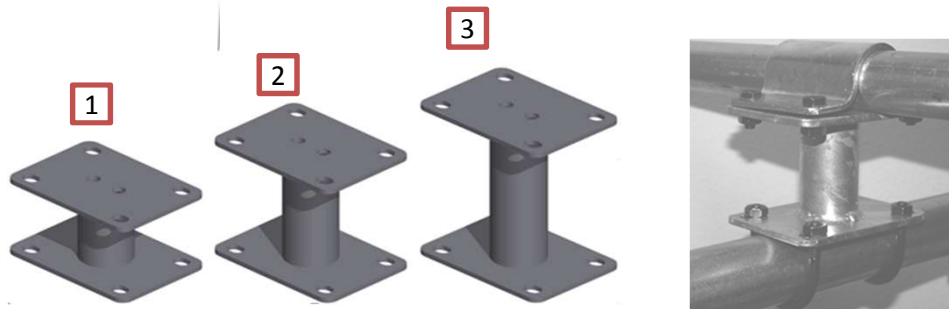
Tubes

Figur	Part number	Note	Description	Size / Dimensions
1	5510-6075-106		Tube galvanized	1.5" (48x2.9mm) L=600cm Hgalv.
1	5510-6065-011		Tube galvanized	1.5" (48x2.9mm) L=450cm Hgalv.
1	5510-6065-005		Tube galvanized	1.5" (48x2.9mm) L=300cm Hgalv.
1	5510-6065-003		Tube galvanized	1.5" (48x2.9mm) L=200cm Hgalv.
1	5510-6075-108		Tube galvanized	2" (60x2.9mm) L=600cm Hgalv.
1	5510-6040-036		Tube galvanized	2" (60x2.9mm) L=450cm Hgalv.
1	5510-6040-025		Tube galvanized	2" (60x2.9mm) L=440cm Hgalv.
1	5510-6040-013		Tube galvanized	2" (60x2.9mm) L=330cm Hgalv.
2	5510-6031-000		Tubecoupling	1.5" (48mm) + Bolt
2	5510-6031-003		Tubecoupling	2" (60mm) + Bolt



Neck bar raiser

Figur	Part number	Note	Description	Size / Dimensions
1	5510-3334-007		Neck bar raiser	+10cm Cubicle divider 57/60mm
2	5510-3334-008		Neck bar raiser	+15cm Cubicle divider 57/60mm
3	5510-3334-009		Neck bar raiser	+20cm Cubicle divider 57/60mm
	5510-3334-005		Bow tube clamp	1.5" (48mm) x 2" (60mm)
	5585-2510-025		Hex Head Bolt, Full thread	M10x 25mm Duplex
	5585-1110-005		Hexagon Lock Nut	M10 Duplex NYLOC
	5585-1610-065		Wire bracket + Lock Nuts	2" (60mm) M10x 93 Duplex



Options Cubicle Divisions

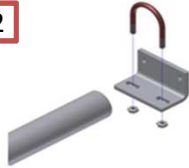
Wall mounting

Figur	Part number	Note	Description	Size / Dimensions
1	5550-4285-000	1x	Wallbracket for bar fixed	1.5" (48mm)
1	5550-4285-001	1x	Wallbracket for bar fixed	2" (60mm)
2	5550-6039-001	1x	Wallbracket for bar fixed	1.5" (48mm)
2	5550-6039-002	1x	Wallbracket for bar fixed	2" (60mm)
2	5550-6039-003	1x	Wallbracket for bar fixed	2.5" (76mm)
3	5550-6039-000	1x	Wallbracket for bar adjustable	1.5" (48mm)
4	5550-6039-004	1x	Wallbracket high for bar adjustable	1.5" (48mm)
5	5510-3337-006	1x	Wallbracket long for bar	2" (60mm) L=30cm

1



2



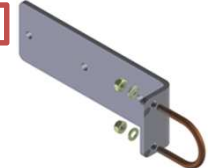
3



4



5



Clamping plates, nylon neck belts and wall mounting

Figur	Part number	Note	Description	Size / Dimensions
1	5510-3334-001		Bow tube clamp plate with eye	2" (60mm) Thickness=6mm
	5585-1610-065		Wire bracket + Lock Nuts	2" (60mm) M10x 93 Duplex
	5550-6035-013		Roll Nylon band	20m Yellow
	5550-6035-014		Roll Nylon band	40m Yellow
	5550-6035-015		Roll Nylon band	60m Yellow
	5550-6035-016		Roll Nylon band	80m Yellow
	5550-6035-012		Roll Nylon band	100m Yellow
2	5550-6035-006		Ratchet buckel with band and hook	Complete
	5550-6035-007	2x	Sliding buckle	50mm Coated
3	5510-3807-000		Wallbracket for nylon band	2" (60 mm) tube or wall
	5500-1200-165	4 x each holde	Nylon plug	12mm
	5500-1000-188	4 x each holde	Wood Screw	M10x 70mm Egalv.
	5580-4512-081	4 x each holde	Anchor bolt express	M10x 70mm 1-clip Hgalv.

1



2



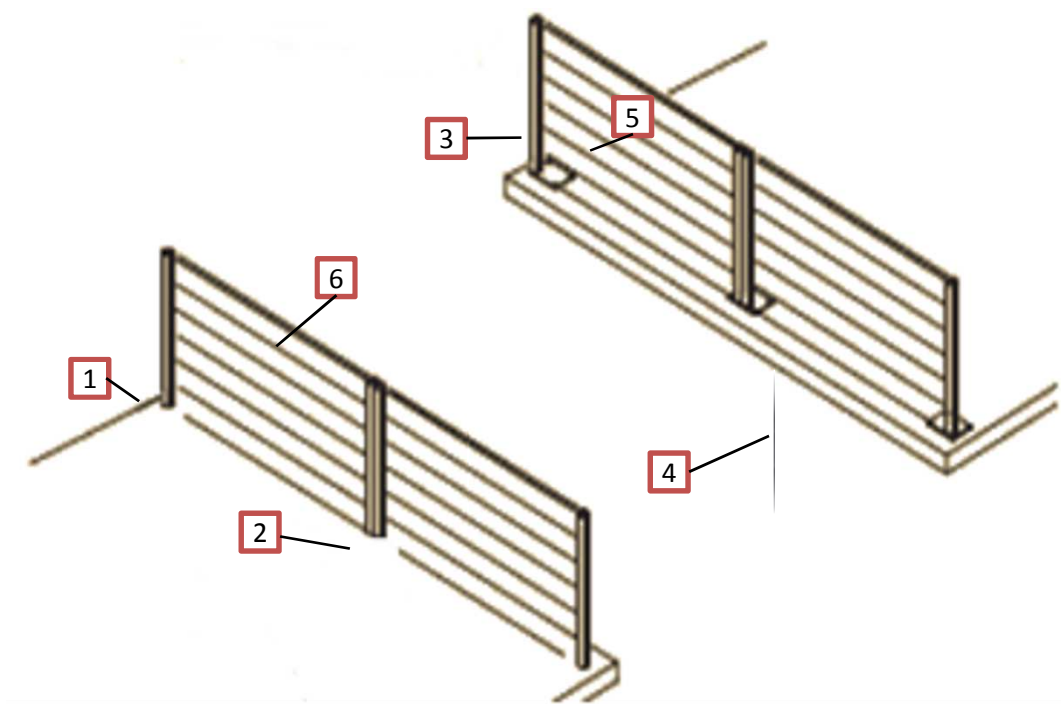
3



Options Cubicle Divisions

Wood and synthetic walls

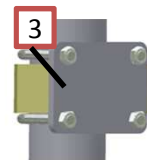
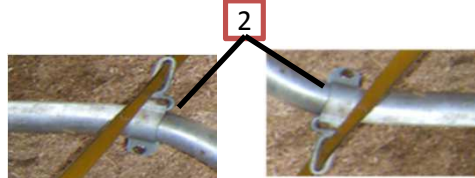
Figur	Part number	Note	Description	Size / Dimensions
1	5550-1930-001		U-Support in floor	175cm ID.50mm Single
2	5550-1931-001		U-Support in floor	175cm ID.50mm Double
3	5550-1935-000		U-Support on floor	140cm ID.50mm Single Left
4	5550-1935-002		U-Support on floor	140cm ID.50mm Single Right
5	5550-1936-000		U-Support on floor	140cm ID.50mm Double
	5580-4512-079		Anchor bolt express	M12x 80mm 1-clip Hgalv.
6	5550-1932-000	7x	Synthetic board grey	L=230cm B=20cm H=4cm
	5550-1932-001		Plastic fixation strip black	L=120cm
	5510-6075-106		Tube galvanized	1.5" (48x2.9mm) L=600cm Hgalv.
	5510-6065-011		Tube galvanized	1.5" (48x2.9mm) L=450cm Hgalv.
	5510-6065-005		Tube galvanized	1.5" (48x2.9mm) L=300cm Hgalv.
	5530-9630-002		Bow bracket	1.5" (48mm)
	5585-1210-070		Coach Bolt	M10x 70mm Duplex
	5585-1110-005		Hexagon Lock Nut	M10 Duplex NYLOC



Options Cubicle Divisions

Knee barrier nylon

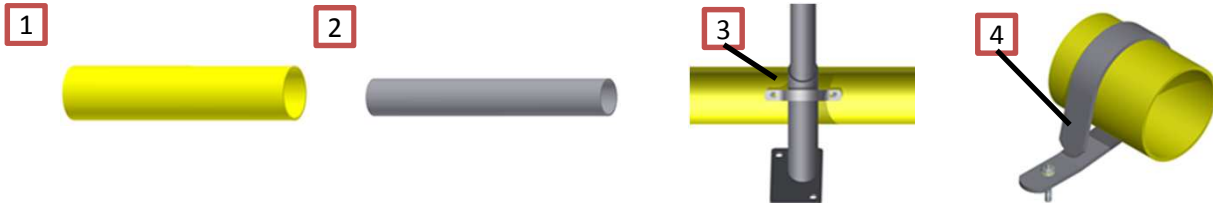
Figure	Part number	Note	Description	Size / Dimensions
1	5510-3333-005		Band holder for Knee barrier	2" (60 mm) For 2D-Cubicle Types
2	5510-3333-004		Band holder for Knee barrier	2" (60 mm) For Combi-/Basic Type
3	5510-8512-018		Clamp plate for nylon band	2.5" (76 mm) + fixings
4	5510-3807-000		Wallbracket for nylon band	2" (60 mm) tube or wall
	5500-1200-165	4 x each holder	Nylon plug	12mm
	5500-1000-188	4 x each holder	Wood Screw	M10x 70mm Egalv.
	5580-4512-081	4 x each holder	Anchor bolt express	M10x 70mm 1-clip Hgalv.
	5585-1610-065	2 x each holder	Wire bracket + Lock Nuts	2" (60mm) M10x 93 Duplex
5	5550-6035-006		Ratchet buckel with band and hook	Complete
	5550-6035-007	2x	Sliding buckle	50mm Coated
	5550-6035-013		Roll Nylon band	20m Yellow
	5550-6035-014		Roll Nylon band	40m Yellow
	5550-6035-015		Roll Nylon band	60m Yellow
	5550-6035-016		Roll Nylon band	80m Yellow
	5550-6035-012		Roll Nylon band	100m Yellow



Options Cubicle Divisions

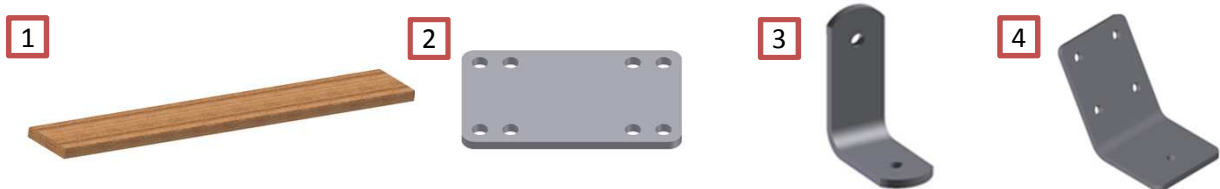
Knee barrier Tube

Figur	Part number	Note	Description	Size / Dimensions
1	5560-1512-003		Knee barrier PVC-Tube	160x6.2mm L=500cm
2	5510-3511-001		PE-Tube for Knee barrier	110x6.6mm L=600cm
	5510-7111-001		Tubecoupling Knee barrier	For PE-tube 110 mm
	5510-7111-007		Knee barrier endcap	PE 110 mm
	5510-6075-112		Tube galvanized	3" (89x3.3mm) L=600cm Hgalv.
	5510-6075-110		Tube galvanized	2.5" (76x3.3mm) L=600cm Hgalv.
	5510-6031-008		Tubecoupling	2.5" (76mm) + Bolt
	5510-6075-108		Tube galvanized	2" (60x2.9mm) L=600cm Hgalv.
	5510-6031-003		Tubecoupling	2" (60mm) + Bolt
Fastenings				
3	5550-5225-002		Bow bracket	2.5" (76mm) + Screws 6.5x32
4	5550-6037-004		Knee barrier tube mounting	6" (160mm)
4	5550-6037-005		Tube mounting rear barrier	3" (89mm)
4	5550-6037-002		Tube mounting rear barrier	2.5" (76mm)
4	5550-6037-001		Tube mounting rear barrier	2" (60mm)
	5580-4512-081	1x	Anchor bolt express	M10x 70mm 1-clip Hgalv.



Knee barrier Wood

Figur	Part number	Note	Description	Size / Dimensions
1	5580-3300-002		Hardwood plank rounded on one side	375x14.3x2.7cm (LxWxH)
1	5580-3300-004		Hardwood plank rounded on one side	375x19.3x2.7cm (LxWxH)
2	5510-3335-000		Coupling plate	2.5" (76mm) x 2" (60mm)
	5585-1310-050	2 x each coupling plat	Coach Bolt with Nut	M10x 50mm Duplex
Fastenings				
3	5550-5201-000		Board mounting rear barrier	90° 10x 5x13 cm (lxwxh)
3	5550-5201-004		Board mounting rear barrier	90° 10x10x12.5cm (lxwxh)
4	5550-5201-001		Board mounting rear barrier	120° 9x10x12.5cm (lxwxh)
	5580-4512-081		Anchor bolt express	M10x 70mm 1-clip Hgalv.
	5585-1310-050		Coach Bolt with Nut	M10x 50mm Duplex



Options Cubicle Divisions

Adjustable knee barrier

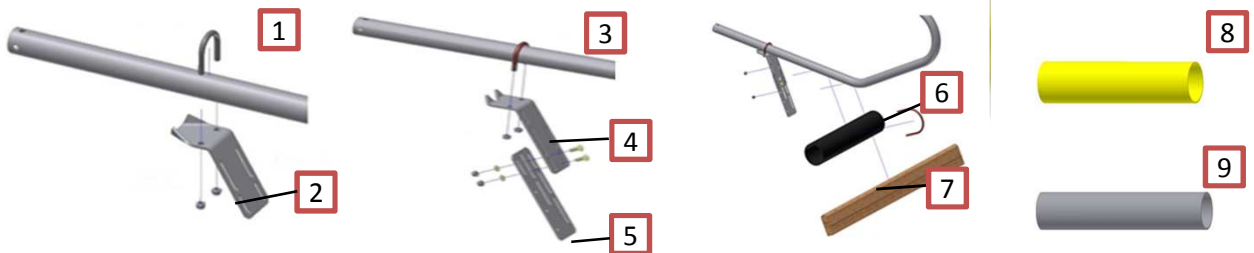
Figur	Part number	Note	Description	Size / Dimensions
1	5510-7110-005		Support Knee barrier	To 2" + Fixings, For Tube Max.110
2	5510-7110-003		Support Knee barrier	2" (60 mm)
Attention! Wire Brackets for knee barrier must be ordered separately. Max ø110 mm tube				
6	5530-9660-010		Wire bracket + nuts	4" (114mm) M10x150 Hgalv.
6	5585-1510-055		Wire bracket	2" (60mm) M10x 85 Duplex
6	5585-1610-020		Wire bracket + Lock Nuts	1.5" (48mm) M10x 69 Duplex

Adjustable knee barrier

Figur	Part number	Note	Description	Size / Dimensions
3	5510-0000-101		Support knee barrier	To 2" + Fixings, Adjustable
4	5510-0000-062		Support knee barrier	To 2" + Fixings, For Tube Max.160
5	5510-0000-063		Adapter adjustable kneesupport universal	For Deepbedding / Combi / Flat
Attention! Wire Brackets for knee barrier must be ordered separately. Max ø160 mm tube				
6	5585-1612-030		Wire bracket + Lock Nuts	6" (159mm) M12x195 Duplex
6	5585-1512-000		Wire bracket + Lock Nuts	4.5" (127mm) M12x160 Duplex
6	5550-9660-003		Wire bracket + nuts	4" (114mm) M12x150 Hgalv.
6	5585-1612-015		Wire bracket + Lock Nuts	3" (89mm) M12x124 Duplex
6	5540-9660-007		Wire bracket + nuts	2.5" (76mm) M12x112 Hgalv.
6	5585-1612-010		Wire bracket + Lock Nuts	2" (60mm) M12x 90 Duplex
6	5585-1610-020		Wire bracket + Lock Nuts	1.5" (48mm) M10x 69 Duplex
	5585-3012-005		Disk	M12 Duplex

Knee barrier

Figur	Part number	Note	Description	Size / Dimensions
8	5560-1512-003		Knee barrier PVC-Tube	160x6.2mm L=500cm
9	5510-3511-001		PE-Tube for Knee barrier	110x6.6mm L=600cm
	5510-7111-001		Tubecoupling Knee barrier	For PE-tube 110 mm
	5510-7111-007		Knee barrier endcap	PE 110 mm
	5510-6075-112		Tube galvanized	3" (89x3.3mm) L=600cm Hgalv.
	5510-6075-110		Tube galvanized	2.5" (76x3.3mm) L=600cm Hgalv.
	5510-6031-008		Tubecoupling	2.5" (76mm) + Bolt
	5510-6075-108		Tube galvanized	2" (60x2.9mm) L=600cm Hgalv.
	5510-6031-003		Tubecoupling	2" (60mm) + Bolt
7	5580-3300-002		Hardwood plank rounded on one side	375x14.3x2.7cm (LxWxH)
7	5580-3300-004		Hardwood plank rounded on one side	375x19.3x2.7cm (LxWxH)
	5585-1310-050		Coach Bolt with Nut	M10x 50mm Duplex
	5510-3335-000		Coupling plate	2.5" (76mm) x 2" (60mm)
	5585-1310-050		Coach Bolt with Nut	M10x 50mm Duplex

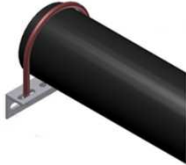


Options Cubicle Divisions

Wall mounting bars

Figur	Part number	Note	Description	Size / Dimensions
1	5530-1907-090		Wallbracket for bar fixed	160mm
1	5510-7111-005		Tube mounting rearbarrier	For PE-tube 110 mm To End Wall
2	5550-6039-003		Wallbracket for bar fixed	2.5" (76mm)
2	5550-6039-002		Wallbracket for bar fixed	2 (60mm)
3	5550-4285-001		Wallbracket for bar fixed	2" (60mm)
	5580-4512-081		Anchor bolt express	M10x 70mm 1-clip Hgalv.
	5500-1000-188		Wood Screw	M10x 70mm Egalv.
4	5550-5201-000		Board mounting rear barrier	90° 10x 5x13 cm (lwxh)

1



2



3



4



Options Cubicle Divisions

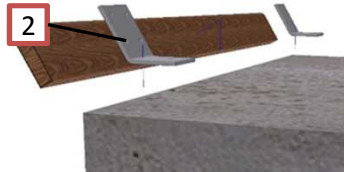
Rear barrier

Figur	Part number	Note	Description	Size / Dimensions
	5510-6075-112		Tube galvanized	3" (89x3.3mm) L=600cm Hgalv.
	5510-6075-110		Tube galvanized	2.5" (76x3.3mm) L=600cm Hgalv.
	5510-6031-008		Tubecoupling	2.5" (76mm) + Bolt
	5510-6075-108		Tube galvanized	2" (60x2.9mm) L=600cm Hgalv.
	5510-6031-003		Tubecoupling	2" (60mm) + Bolt
1				
1	5550-6037-005		Tube mounting rear barrier	3" (89mm)
1	5550-6037-002		Tube mounting rear barrier	2.5" (76mm)
1	5550-6037-001		Tube mounting rear barrier	2" (60mm)
	5580-4512-081		Anchor bolt express	M10x 70mm 1-clip Hgalv.
2				
	5580-3300-002		Hardwood plank rounded on one side	375x14.3x2.7cm (LxWxH)
	5580-3300-004		Hardwood plank rounded on one side	375x19.3x2.7cm (LxWxH)
	5510-3335-000		Coupling plate	2.5" (76mm) x 2" (60mm)
	5585-1310-050		Coach Bolt with Nut	M10x 50mm Duplex
3				
2	5550-5201-001		Board mounting rear barrier	120° 9x10x12.5cm (lxwxh)
2	5550-5201-005		Board mounting rear barrier	120° 9x10x20 cm (lxwxh)
3	5550-5201-000		Board mounting rear barrier	90° 10x 5x13 cm (lxwxh)
3	5550-5201-004		Board mounting rear barrier	90° 10x10x12.5cm (lxwxh)
	5585-1310-050		Coach Bolt with Nut	M10x 50mm Duplex
	5580-4512-081		Anchor bolt express	M10x 70mm 1-clip Hgalv.

1



2



3



Extension cubicles

Figur	Part number	Note	Description	Size / Dimensions
1	5510-7180-001		Rear barrier	250 cm 135° Hgalv.
2	5510-7181-001		Cover plate rear barrier	249 cm + Fixings
3	5510-7180-006		Coupling plate rear barrier	120x180x6mm (lxwxh) 135° + Bolts
4	5510-7180-004		Endpart rear barrier	118x80 mm Rubber + Bolts
	5580-4512-081		Anchor bolt express	M10x 70mm 1-clip Hgalv.

