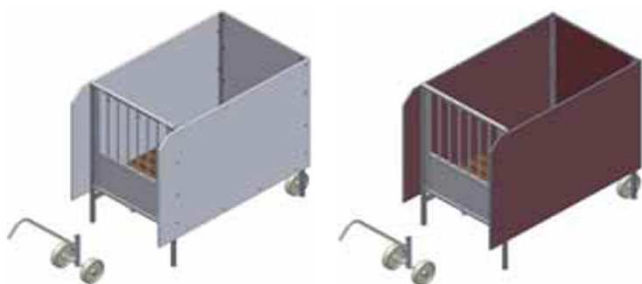


Young stock Solutions

GEA Royal De Boer offers housing systems and barn equipment from calf to cow. To prevent cross-infection, directly after birth the calves are housed in calf boxes, such as igloos, containing clean, dry straw. Calving, exposure rate and type of housing are important factors in calculating the size of the space required for calf and young stock pen systems. You will find a complete range of products here for breeding calves and young stock. From calf boxes and igloos for the first few months, to calf boxes and solutions for groups to suitable cubicles divisions.

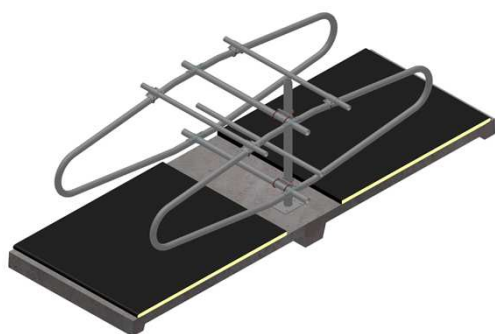
Calf pens



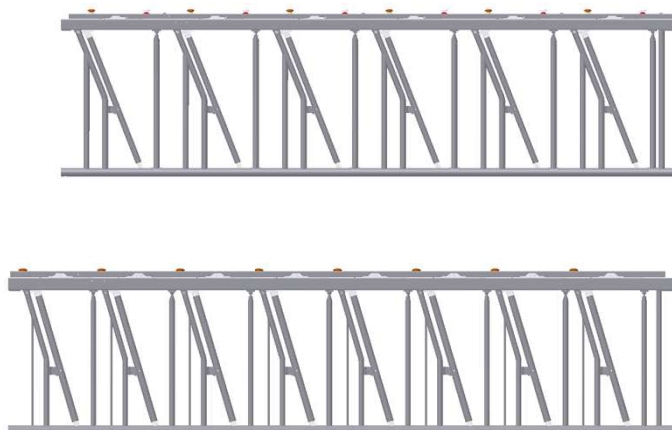
Calf igloos



Cubicle divisions



Self-locking fences



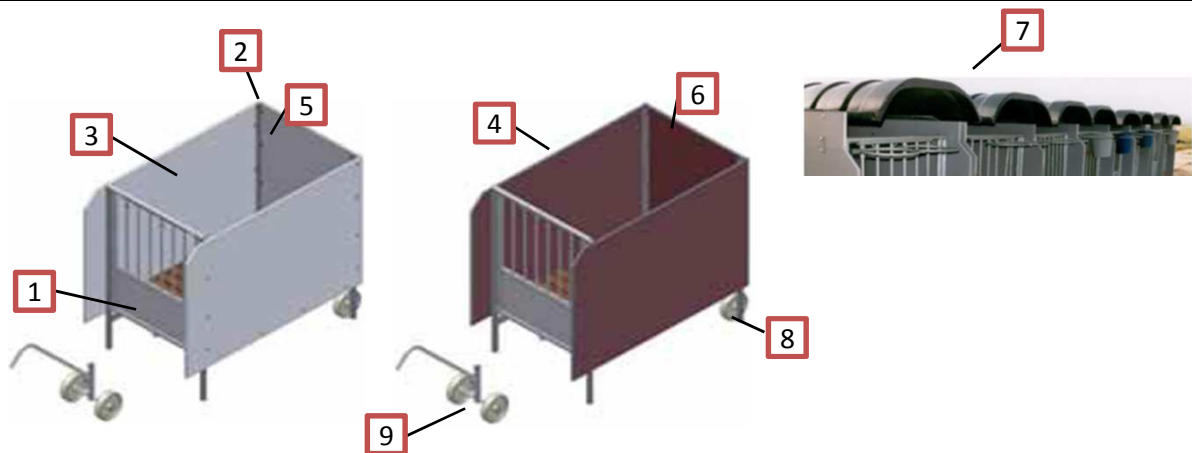
Calf pens

Calf pens are available in different widths. The calf boxes have a very practical, open entry gate to which a nipple bucket and a bowl can be fastened. The pens are standard supplied with hard wood slatted floors. If required, the wheelset with lever can be used to move the calf pen, for cleaning the box for example.



Euro calf pens

Fig.	Part Number	Note	Description	Size
1	5550-7685-001	1x	Frontdoor Euro calf pen	86cm
2	5550-7684-000	1x	Frame Euro calf pen	86cm
End wall				
3	5550-7686-005	2x	End panel Euro calf pen	152x100cm Polypropylene +Fixings
4	5550-7656-002	2x	End panel Euro calf pen	152x100cm Plywood + Alum.profile
Centre wall				
	5550-7686-006		Middle panel Euro calf pen	152x100cm Polypropylene +Fixings
	5550-7656-003		Middle panel Euro calf pen	152x100cm Plywood + Alum.profile
Rear wall				
5	5550-7687-007	1x	Back panel Euro calf pen	86cm Polypropylene + Fixings
6	5550-7657-001	1x	Back panel Euro calf pen	86cm Plywood + Fixings
	5550-7659-000	1x	Slatted floor for Euro calf pen	123x 85cm Hardwood
Roof				
7	5550-7675-019		Roof Euro calfence	160x86cm Polyester White
	5550-7690-005		Mountingset sliding roof Euro calf pen	End PP
	5550-7690-006		Mountingset sliding roof Euro calf pen	Middle PP
	5550-7677-005		Mountingset sliding roof Euro calf pen	End Wood
	5550-7677-006		Mountingset sliding roof Euro calf pen	Middle Wood
8	5550-7682-004		Wheelset Euro calf pen	For 1 Pen
9	5550-7682-000		Lever arm with wheel for calf pen	



Basic package

1 Euro calf pen (basic package) consists of:

2 end walls, 1 front door, 1 frame, 1 rear wall and 1 slatted floor.

To connect two calf pens together you need 1 basic package as described above with the following for each extra calf box:

1 centre wall, 1 front door, 1 doorframe, 1 rear wall and 1 slatted floor.

Calf pens

Euro calf pens

Accessories

Fig.	Part Number	Note	Description	Size
1	5550-7681-000		Bucket holder calf pen	Double Hgalv.
2	5530-2225-000		Bucket with teat	8 Ltr. Plastic Grey + Holder
	5530-2225-001		Bucket with teat	8 Ltr. Plastic Grey
3	5580-2755-000		Bucket	12 Ltr. Plastic Grey
4	5530-2223-000		Concentrated feed scale calf pen	Without Cutout SSt.
	5580-2748-000		Teat for calfbucket	
5	5550-7652-000		Hayrack Double	
	5550-7652-001		Hayrack Double	For Euro-box



Calf igloos

The CalfOTel Small is ideal for raising calves up to 2 weeks old outside. The box is characterised by its strength and hardwearing material and the unique patented fence. The wheels under the pens make them easily moveable, in case of transport or for cleaning with a high pressure cleaner elsewhere in the yard. Refreshing the straw is quick and easy thanks to the clever locking device that can be operated with one hand.



Fig.	Part Number	Note	Description	Size
1	5580-3002-001		Calf hutch Calf-O-Tel	0-10 Weeks, + Bucket
2	5580-3003-000		Holder for bucket with teat Calf-O-Tel	
3	5580-3003-001		Bucket with teat Calf-O-Tel	
4	5580-3003-002		Feeding dish	8 Ltr. Calf-o-tel



Floating cubicle divisions for young stock

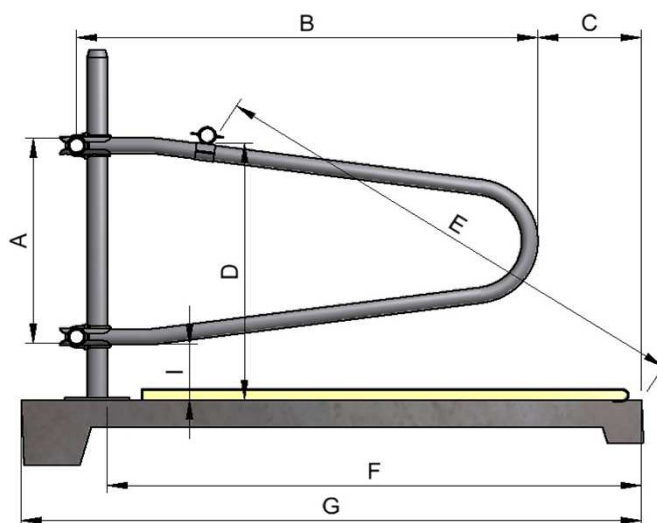
The floating youngstock cubicle divisions offers optimum freedom of movement and is easy to install. Combine with Royal de Boer cow mattresses for optimum cow comfort.



Recommended dimensions Floating cubicle divisions for young stock

Cubicle	Recommended length of wall row	Minimum length of wall row	Box width center to center
Cubicle division 135 cm	> 1800 mm	1600 mm	650 - 800 mm
Cubicle division 160 cm	> 1950 mm	1850 mm	800 - 900 mm
Cubicle division 170 cm	> 2100 mm	2000 mm	900 - 1000 mm
Cubicle division 180 cm	> 2300 mm	2100 mm	1000 - 1150 mm
Cubicle	Recommended length of a double	Minimum length of a double row	Box width center to center
Cubicle division 135 cm	3000 mm	3000 mm	650 - 800 mm
Cubicle division 160 cm	3500 mm	3500 mm	650 - 900 mm
Cubicle division 170 cm	3800 mm	3800 mm	900 - 1000 mm
Cubicle division 180 cm	4000 mm	4000 mm	1000 - 1150 mm

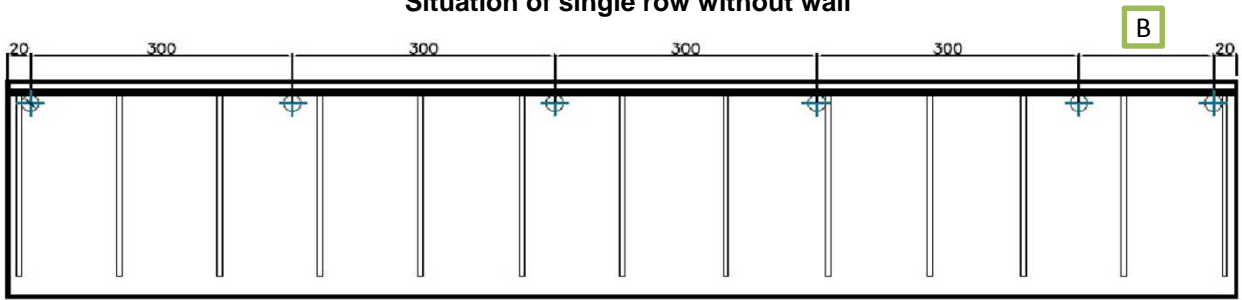
	0.5 - 6 months 5510-3313-005	7 - 12 months 5510-3316-005	13 - 18 months 5510-3317-005	19 - 22 months 5510-3318-003
A	± 60 cm	± 75 cm	± 80 cm	± 89 cm
B	135 cm	160 cm	170 cm	180 cm
C	± 15 cm	± 15 cm	± 20 cm	± 20 cm
D	± 80 cm	± 95 cm	± 100 cm	± 110 cm
E	135 - 145 cm	160 - 170 cm	170 - 180 cm	185 - 195 cm
F	±140 cm	± 165 cm	± 178 cm	± 188 cm
G	>160 cm	185 cm	> 200 cm	> 210 cm
I	± 20 cm	± 20 cm	± 20 cm	± 20 cm



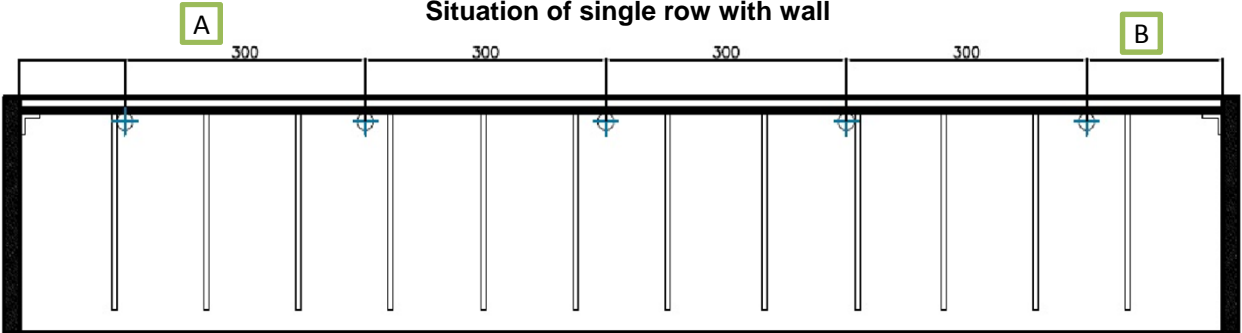
Floating cubicle divisions for young stock

Cubicle divisions 135 - 160 cm, 0.5 - 12 months

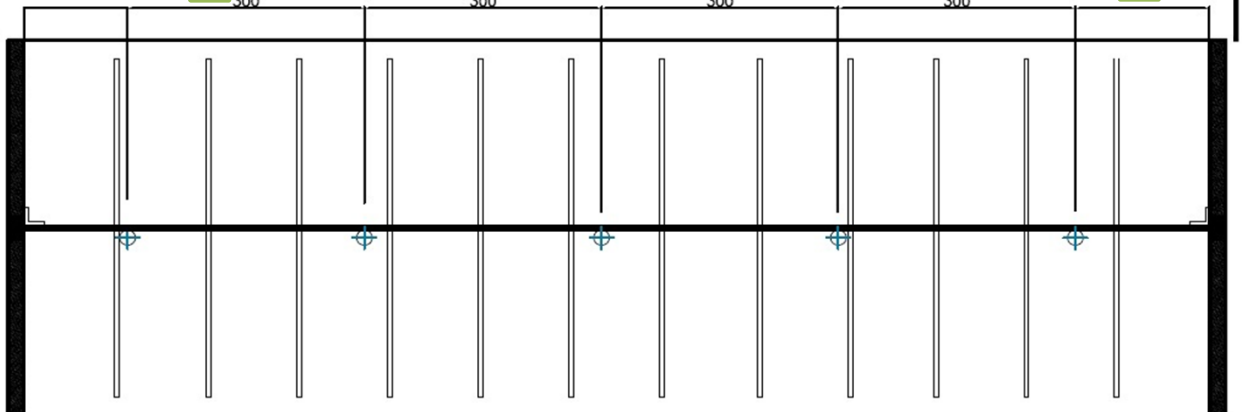
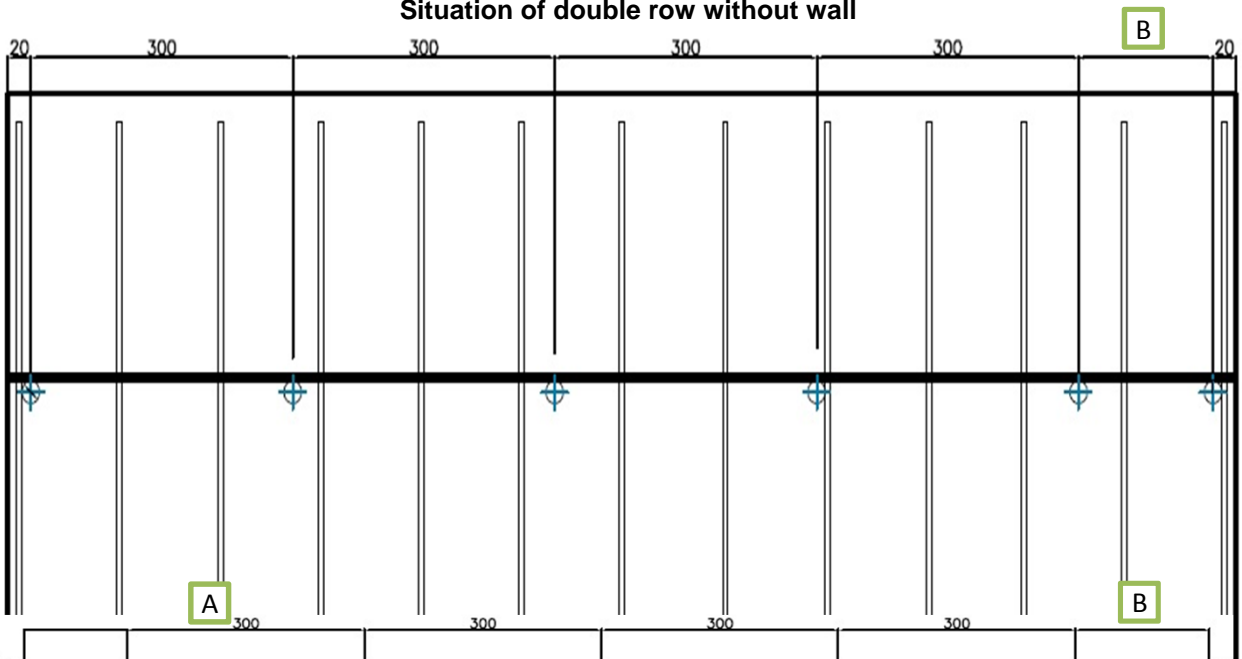
Situation of single row without wall



Situation of single row with wall



Situation of double row without wall



A	Cubicle width + 20 cm
B	Remaining dimension

Fl

Floa

Mou

0.5 -

Fig.

1

7 - 1:

Fig.

1

Fig.

2

For si

3

For d

4

5

6

6

6

Equipping cubicle divisions for young stock

Equipping cubicle divisions for young stock
 Equipping on horizontal tubes

6 months

Part Number	Note	Description	Size
5510-3313-005		Cubicle divider cantilever youngstock	135cm (48x2.9mm)

2 months

Part Number	Note	Description	Size
5510-3316-005		Cubicle divider cantilever youngstock	160cm (48x2.9mm)

Part Number	Note	Description	Size
5510-1255-000	1x	Cross-over clamp with clamp brackets	1.5" x1.5" (48x48mm) + Bolts

Single row

5510-1655-000	2x	T-Clamp	1.5" x1.5" (48x48mm) + Bolt
---------------	----	---------	-----------------------------

Double row

5510-1955-000	2x	Cross Clamp	1.5" x1.5" (48x48mm) + Bolts
---------------	----	-------------	------------------------------

5510-6075-106		Tube galvanized	1.5" (48x2.9mm) L=600cm Hgalv.
---------------	--	-----------------	--------------------------------

5510-6031-000		Tube coupling	1.5" (48mm) + Bolt
---------------	--	---------------	--------------------

5510-1265-000	2x per support post	Cross-over clamp with clamp brackets	2" x1.5" (60x48mm) + Bolts
---------------	---------------------	--------------------------------------	-----------------------------

5550-2000-149		Support post on floor + cap	2" (60x3.7mm) L=100cm Hgalv.
---------------	--	-----------------------------	------------------------------

5580-4512-079	4x per support post	Anchor bolt express	M12x 80mm 1-clip Hgalv.
---------------	---------------------	---------------------	-------------------------

5550-2000-157		Support post on workfloor + sleeve/cap	2" (60x3.7mm) L=120cm Hgalv.
---------------	--	--	------------------------------

5580-4512-081	4x per support post	Anchor bolt express	M10x 70mm 1-clip Hgalv.
---------------	---------------------	---------------------	-------------------------

5550-2000-153		Support post in floor + sleeve/cap	2" (60x3.7mm) L=125cm Hgalv.
---------------	--	------------------------------------	------------------------------

5510-1265-000		Cross-over clamp with clamp brackets	2" x1.5" (60x48mm) + Bolts
---------------	--	--------------------------------------	-----------------------------

2



3



4

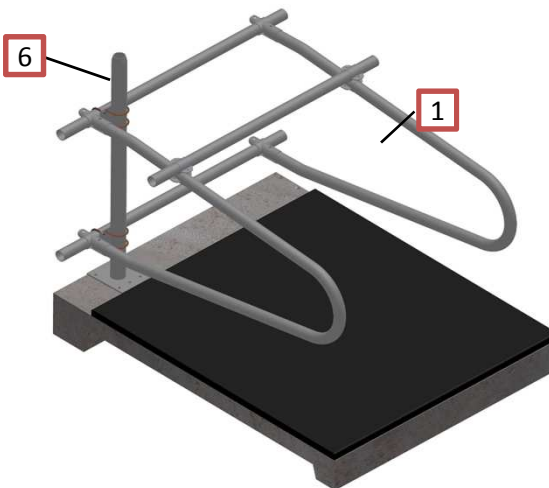


5



6

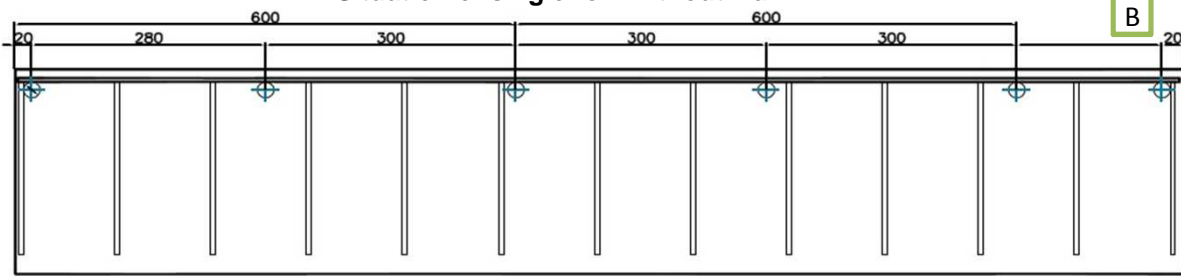
1



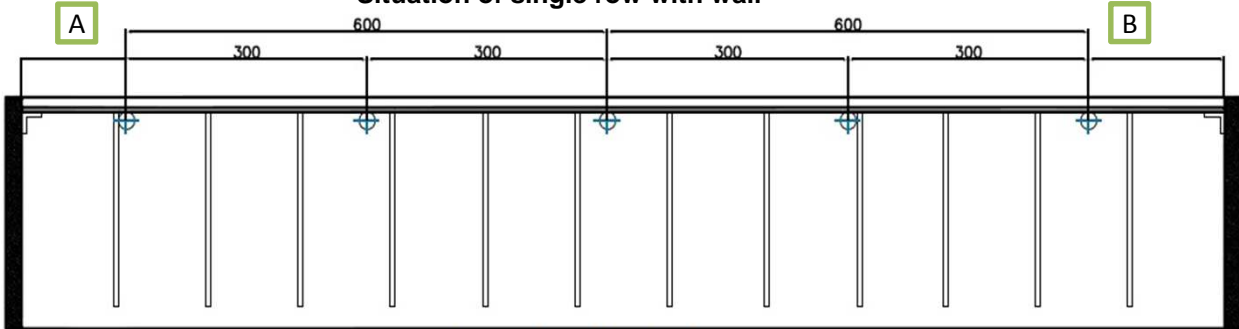
Floating cubicle divisions for young stock

Cubicle divisions 160 - 180 cm, 12 - 22 months

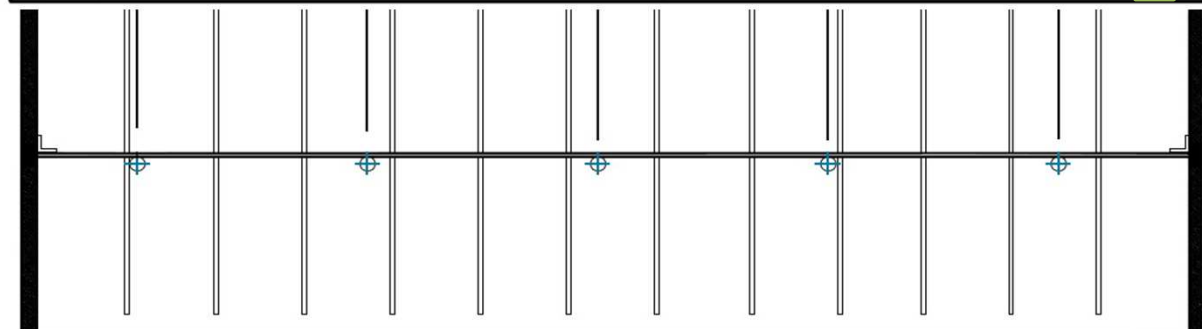
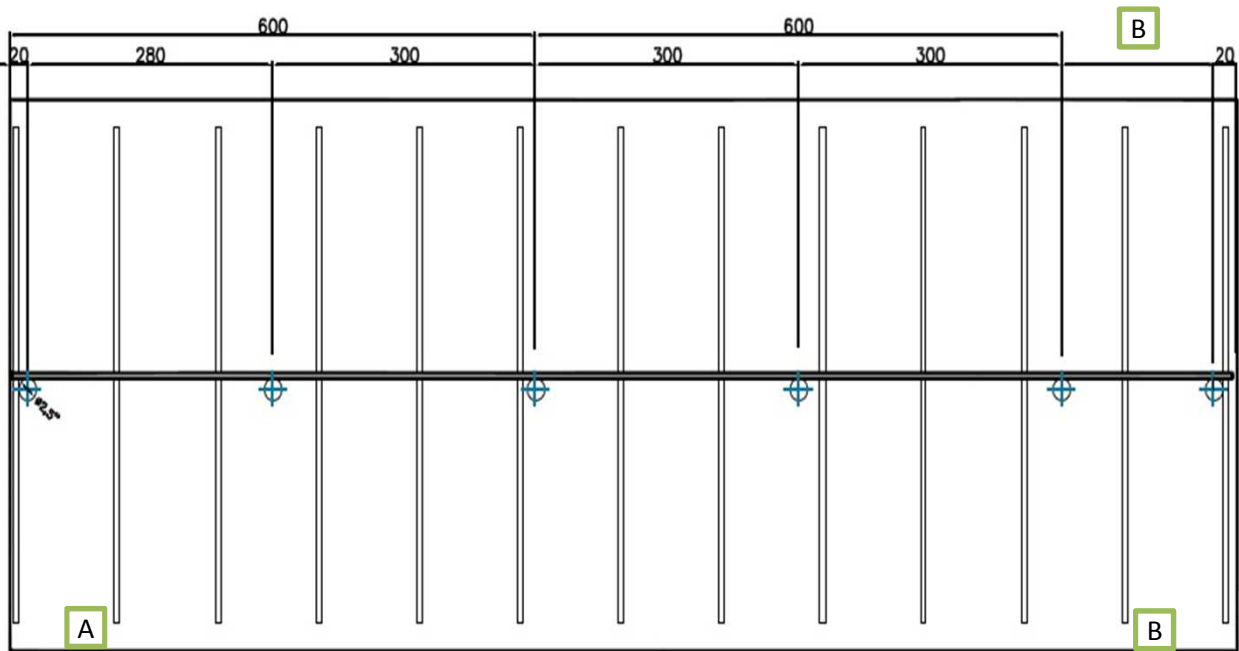
Situation of single row without wall



Situation of single row with wall



Situation of double row without wall



A	Cubicle width + 20 cm
B	Remaining dimension

Floating cubicle divisions for young stock

Floating cubicle divisions for young stock

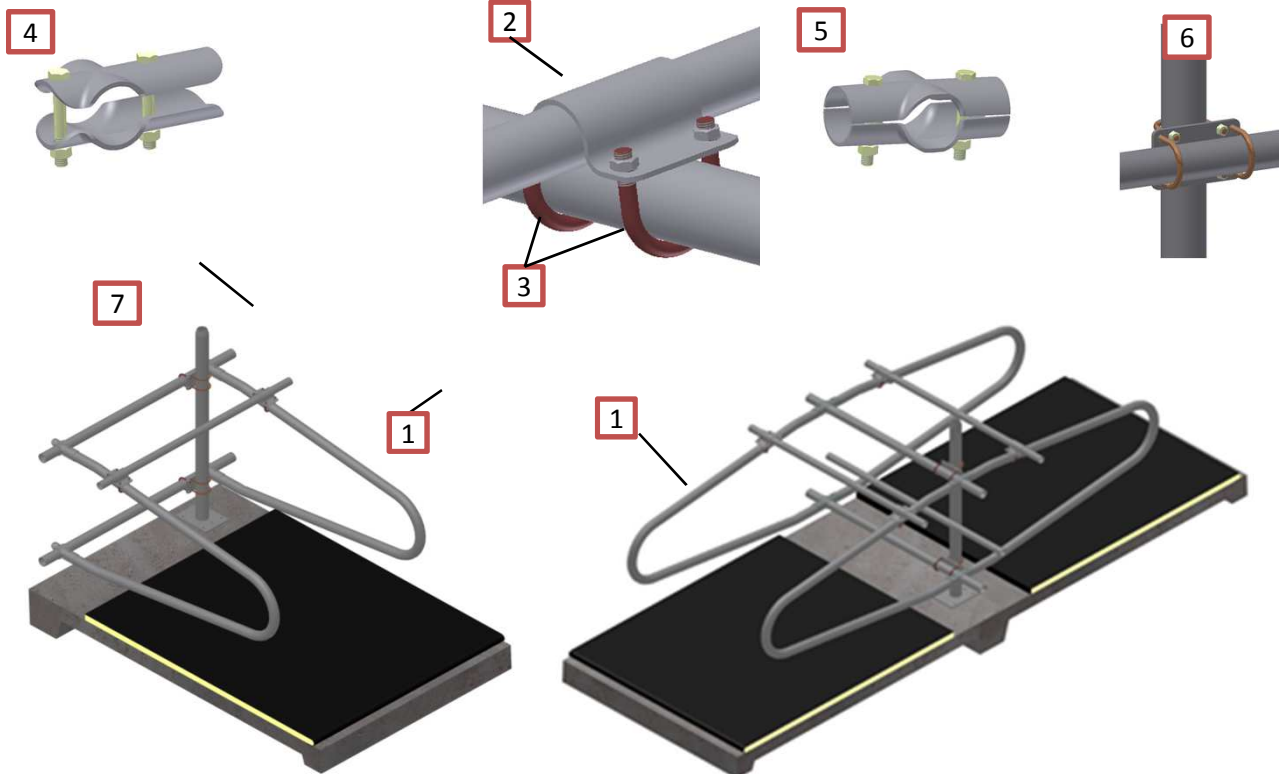
13 - 18 months

Fig.	Part Number	Note	Description	Size
1	5510-3317-005		Cubicle divider cantilever youngstock	170cm (60x2.9mm)

19 - 22 months

Fig.	Part Number	Note	Description	Size
1	5510-3318-003		Cubicle divider cantilever youngstock	180cm (60x2.9mm)

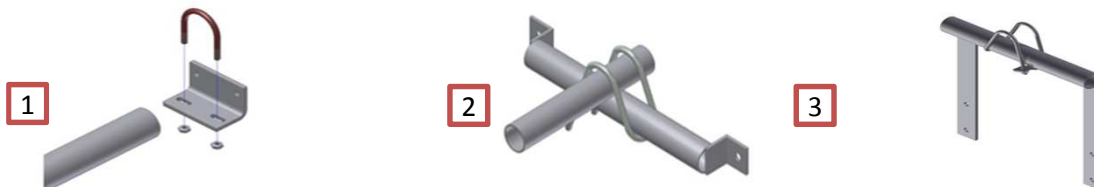
Fig.	Part Number	Note	Description	Size
2	5510-3334-005	1x	Bow tube clamp	1.5" (48mm) x 2" (60mm)
3	5585-1610-065	2x	Wire bracket + Lock Nuts	2" (60mm) M10x 93 Duplex
For single row				
4	5510-1766-000	2x	T-Clamp	2" x2" (60x60mm) + Bolt
For double row				
5	5510-1966-000	2x	Cross Clamp	2" x2" (60x60mm) + Bolts
	5510-6075-106		Tube galvanized	1.5" (48x2.9mm) L=600cm Hgalv.
	5510-6031-000		Tubecoupling	1.5" (48mm) + Bolt
6	5510-3335-002	1x per support post	Tube mountingset	2" x2.5" (60x 76mm)
7	5510-3342-004		Support post on floor with strut	2.5" (76x3.7mm) L=120cm Hgalv.
	5580-4512-079	4x per support post	Anchor bolt express	M12x 80mm 1-clip Hgalv.
	5550-2505-140		Support post on workflow + sleeve/cap	2.5" (76x3.7mm) L=140cm Hgalv.
	5580-4512-081	4x per support post	Anchor bolt express	M10x 70mm 1-clip Hgalv.
	5550-2500-145		Support post in floor + sleeve/cap	2.5" (76x3.7mm) L=145cm Hgalv.
	5510-1266-002		Cross-over clamp with clamp brackets	2.5" x1.5" (76x48mm) + Bolts



Floating cubicle divisions for young stock

Wall bracket

Fig.	Part Number	Note	Description	Size
1	5550-6039-001		Wallbracket for bar fixed	1.5" (48mm)
2	5550-6039-000		Wallbracket for bar adjustable	1.5" (48mm)
3	5550-6039-004		Wallbracket high for bar adjustable	1.5" (48mm)
	5500-1200-165		Nylon plug	12mm
	5500-1000-188		Wood Screw	M10x 70mm Egalv.
	5580-4512-081		Anchor bolt express	M10x 70mm 1-clip Hgalv.



Support posts				
Age	Type of	Support posts on the floor	Support posts on the floor	Support post in the floor
		2"	2"	2"
0.5 - 6 months	High	100 cm	120 cm	125 cm
7 - 12 months	High	100 cm	120 cm	125 cm
		2,5"	2,5"	2,5"
13 - 18 months	High	120 cm	140 cm	145 cm
19 - 22 months	High	120 cm	140 cm	145 cm



*This pricelist focuses on raised beds with mattresses. Dimensions and products for combination beds and deep-straw beds are available on request.
Note: all galvanised materials that come into contact with the straw bedding should be coated.*

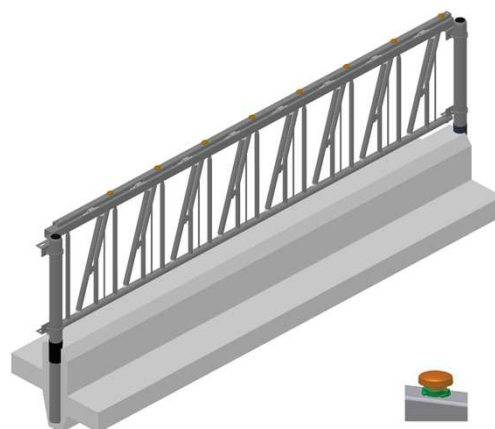
Self-locking feeding fence for young stock

The new series of self-locking young stock feed fences is part of the "Youngstock solutions" project by GEA Farm Technologies and is available now. These feed fences can be adapted to any size of animal from two weeks to twenty-two months old. For young stock older than 7 months there are feed fences in the user-friendly "Twist&Lock" version. These feed fences are particularly suitable for calves because of their cow-friendly swivel joint. Individual animals can be selected quickly thanks to the Twist&Lock system.



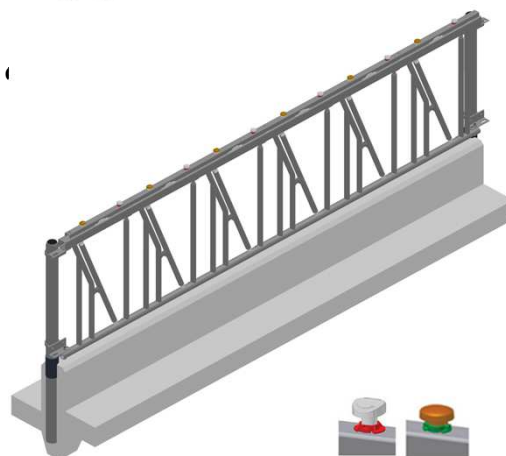
Self-locking feed fence for young stock from 0.5 to 6 months

Average feeding width 40 cm (38-43 cm)
Neck width can be adjusted from 8 to 15 cm
Available lengths 135 - 325 cm
1.5" lower tube and 1" bars
fence height 81 cm
Internal height 67 cm
Individual release by pressing a button



Self-locking feed fence for young stock from 7 to 12 months

Average feeding width 50 cm (44-54 cm)
Neck width can be adjusted from 10 to 17 cm
Available lengths 110 - 350 cm
1.5" lower tube and 1" bars
fence height 94 cm
Internal height 80 cm
Individual release by pressing a button
Individual locking with Twist & Lock button

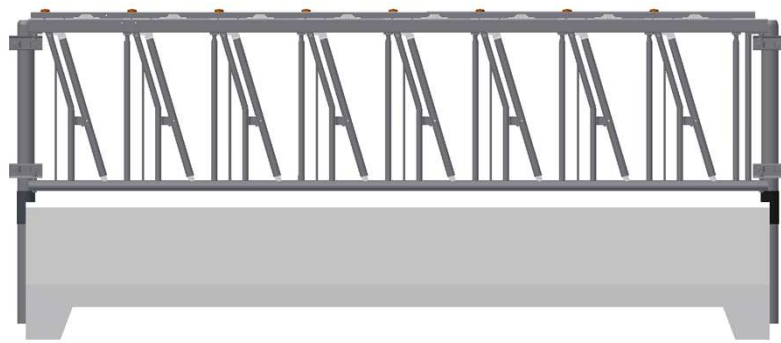


Self-locking feed fence for young stock from 13 to 22 months

Average feeding width 58 cm (51-60 cm)
Neck width can be adjusted from 13 to 20 cm
Available lengths 121 - 350 cm
1.5" lower tube and 1" bars
fence height 94 cm
Internal height 80 cm
Individual release by pressing a button
Individual locking with Twist & Lock button

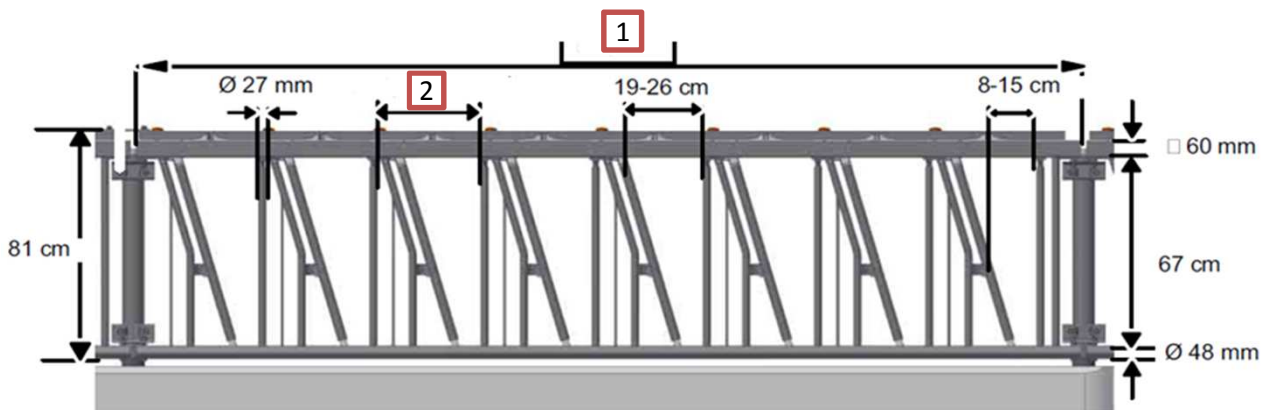


Self-locking feeding fence for young stock



Self-locking feed fence for young stock from 0.5 to 6 months old

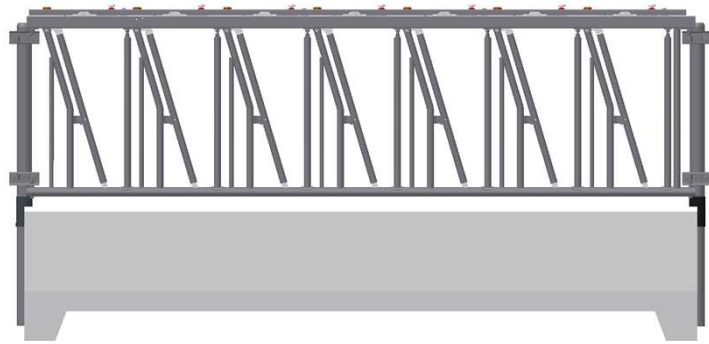
Fig.	Part Number	Note	Description	Size
	5530-7040-100		Feed fence selflock Youngstock	135cm 3x38cm 0.5- 6 Mth. +Bolts
	5530-7040-101		Feed fence selflock Youngstock	211cm 5x38cm 0.5- 6 Mth. +Bolts
	5530-7040-102		Feed fence selflock Youngstock	249cm 6x38cm 0.5- 6 Mth. +Bolts
	5530-7040-103		Feed fence selflock Youngstock	287cm 7x38cm 0.5- 6 Mth. +Bolts
	5530-7040-104		Feed fence selflock Youngstock	325cm 8x38cm 0.5- 6 Mth. +Bolts
	5505-7040-215		Adjustable bar feedfence Youngstock	0,5-6 Months + Fixings



1 Center distance of support posts is the feeding fence length + 1 cm

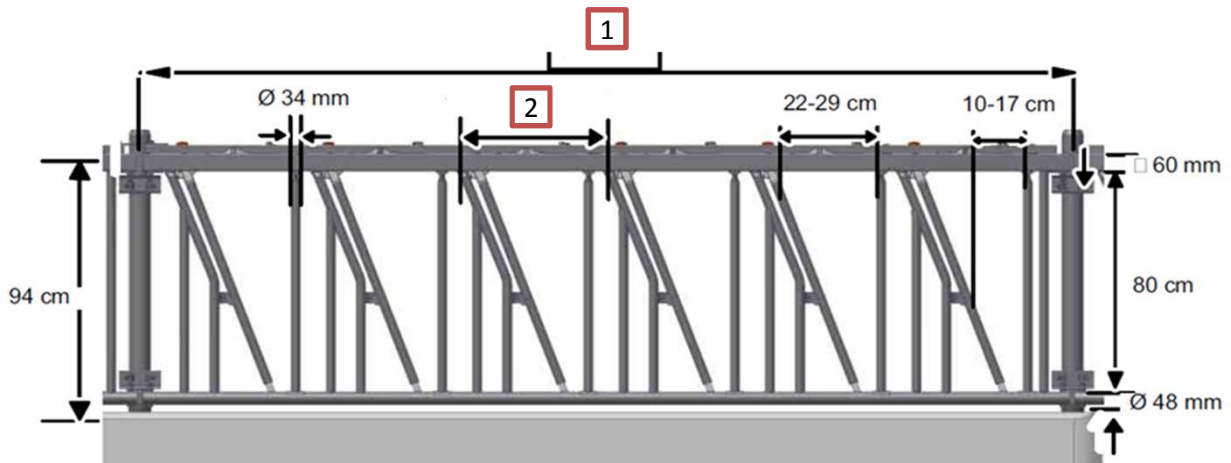
2 Feeding place width

Self-locking feeding fence for young stock



Self-locking feed fence for young stock from 7 to 12 months old

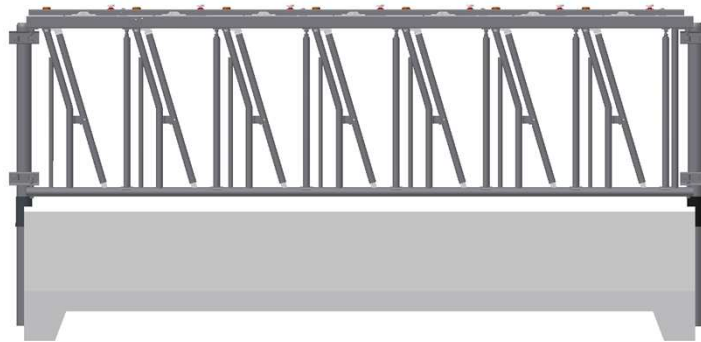
Fig.	Part Number	Note	Description	Size
	5530-7030-100		Feed fence selflock Youngstock	110cm 2x46cm 7 -12 Mth. +Bolts
	5530-7030-101		Feed fence selflock Youngstock	156cm 3x46cm 7 -12 Mth. +Bolts
	5530-7030-102		Feed fence selflock Youngstock	202cm 4x46cm 7 -12 Mth. +Bolts
	5530-7030-103		Feed fence selflock Youngstock	248cm 5x46cm 7 -12 Mth. +Bolts
	5530-7030-104		Feed fence selflock Youngstock	294cm 6x46cm 7 -12 Mth. +Bolts
	5530-7030-105		Feed fence selflock Youngstock	325cm 7x43cm 7 -12 Mth. +Bolts
	5530-7030-106		Feed fence selflock Youngstock	350cm 7x48cm 7 -12 Mth. +Bolts
	5505-7020-215		Adjustable bar feedfence Youngstock	7-22 Months + Fixings



1 Center distance of support posts is the feeding fence length + 1 cm

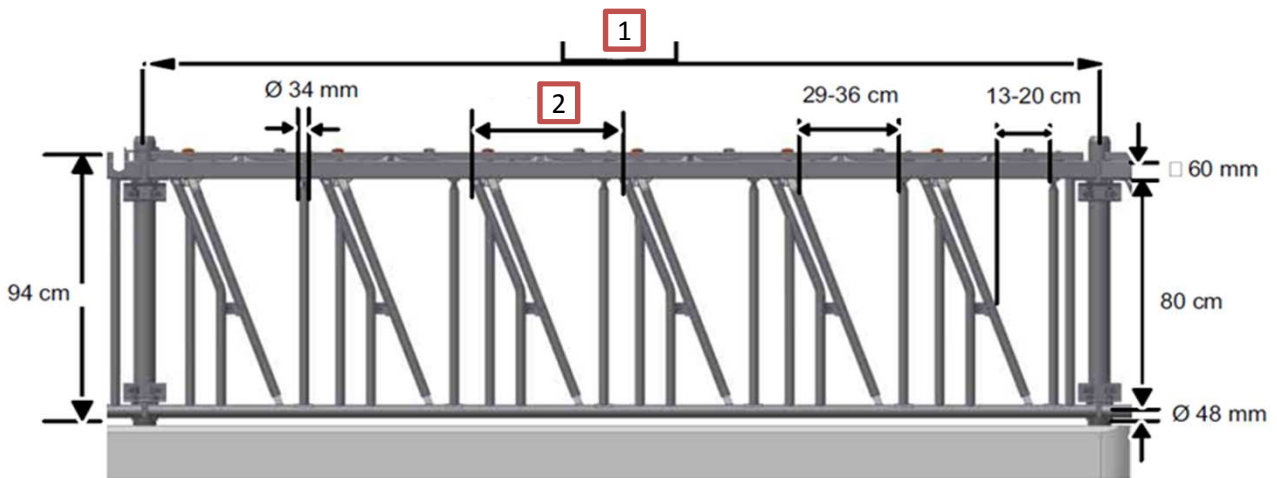
2 Feeding place width

Self-locking feeding fence for young stock



Self-locking feed fence for young stock from 13 to 22 months old

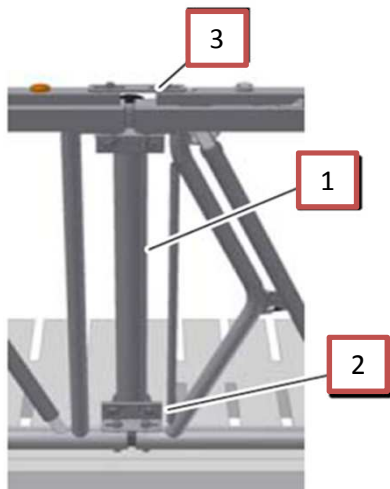
Fig.	Part Number	Note	Description	Size
	5530-7020-100		Feed fence selflock Youngstock	121cm 2x51cm 12 -22 Mth. +Bolts
	5530-7020-101		Feed fence selflock Youngstock	172cm 3x51cm 12 -22 Mth. +Bolts
	5530-7020-102		Feed fence selflock Youngstock	223cm 4x51cm 12 -22 Mth. +Bolts
	5530-7020-103		Feed fence selflock Youngstock	294cm 5x56cm 12 -22 Mth. +Bolts
	5530-7020-104		Feed fence selflock Youngstock	325cm 6x51cm 12 -22 Mth. +Bolts
	5530-7020-105		Feed fence selflock Youngstock	350cm 6x56cm 12 -22 Mth. +Bolts
	5505-7020-215		Adjustable bar feedfence Youngstock	7-22 Months + Fixings



1 Center distance of support posts is the feeding fence length + 1 cm

2 Feeding place width

Self-locking feeding fence for young stock



The feed fence is mounted on the Support post (1) with mounting parts (2).

Select from:

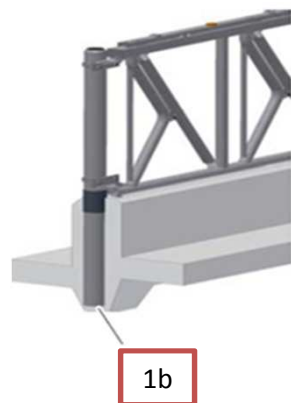
- 1a) Support post on the workfloor
- 1b) Support post in the floor

Two feed fences are connected together with a coupling strip (3). These must be ordered separately.

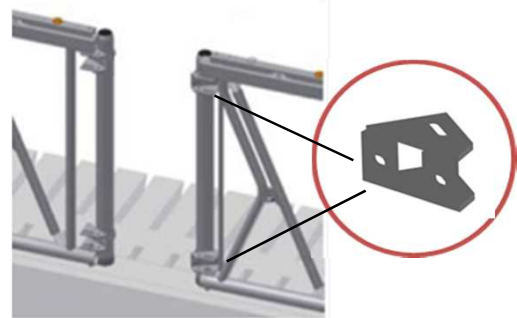
To ensure a level passageway, an end mounting part is fitted. (Only on 2.5" Support posts (4))



1a



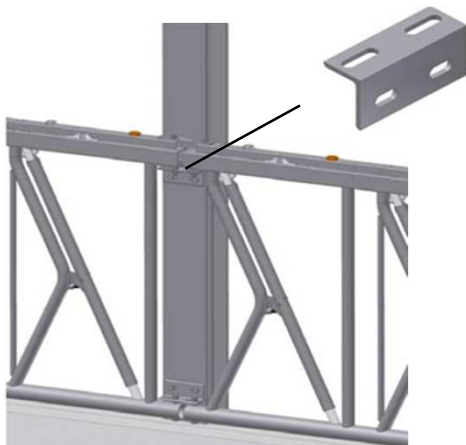
1b



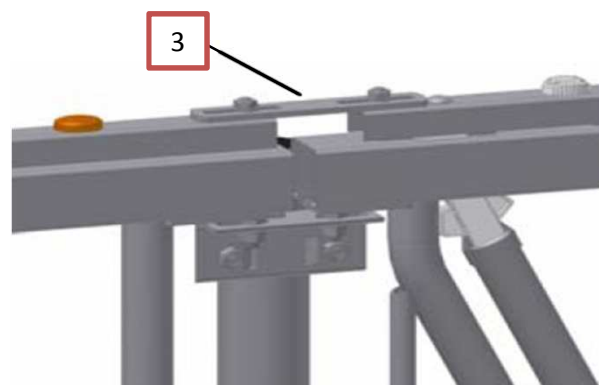
Mountingpart with extension



Mountingpart for mounting on support posts with cams for extra strength



Element for assembly on post



3

Self-locking feeding fence for young stock

Mounting parts

Support posts

Fig.	Part Number	Note	Description	Size
	5550-2505-160		Support post on workfloor + sleeve/cap	2.5" (76x3.7mm) L=160cm Hgalv.
	5550-2505-170		Support post on workfloor + sleeve/cap	2.5" (76x3.7mm) L=170cm Hgalv.
	5580-4512-081		Anchor bolt express	M10x 70mm 1-clip Hgalv.
	5550-2500-175		Support post in floor + sleeve/cap	2.5" (76x3.7mm) L=175cm Hgalv.

Coupling strips and mounting parts

Fig.	Part Number	Note	Description	Size
1 - 4 cm extension				
6	5530-1907-016		Mountingset feedfence on wooden colomn	0- 4cm Extension
5	5530-1906-004		Mountingset feedfence on post	0- 4cm Extension On 2.5" (76mm)
5	5530-1906-021		Mountingset feedfence on post	0- 4cm Extension On 3" (89mm)
5	5530-1907-039		Mountingset feedfence on post	0- 4cm Extension On 3.5"(101mm)
5	5530-1907-043		Mountingset feedfence on post	0- 4cm Extension On 4" (114mm)
7	5530-7000-021		Coupling strip Twist&Lock	L=200mm Extension 1- 4cm
5 - 9 cm extension				
6	5530-1907-019		Mountingset feedfence on wooden colomn	5- 9cm Extension
5	5530-1906-006		Mountingset feedfence on post	5- 9cm Extension On 2.5" (76mm)
5	5530-1906-023		Mountingset feedfence on post	5- 9cm Extension On 3" (89mm)
5	5530-1907-040		Mountingset feedfence on post	5- 9cm Extension On 3.5"(101mm)
5	5530-1907-045		Mountingset feedfence on post	5- 9cm Extension On 4" (114mm)
7	5530-7000-022		Coupling strip Twist&Lock	L=250mm Extension 5- 9cm
10 - 14 cm extension				
6	5530-1907-021		Mountingset feedfence on wooden colomn	10-14cm Extension
7	5530-1907-023		Mountingset feedfence on wooden colomn	10-14cm Extension Asymmetric
5	5530-1906-008		Mountingset feedfence on post	10-14cm Extension On 2.5" (76mm)
5	5530-1906-025		Mountingset feedfence on post	10-14cm Extension On 3" (89mm)
5	5530-1907-041		Mountingset feedfence on post	10-14cm Extension On 3.5"(101mm)
5	5530-1907-047		Mountingset feedfence on post	10-14cm Extension On 4" (114mm)
7	5530-7000-023		Coupling strip Twist&Lock	L=300mm Extension 10-14cm
15 - 19 cm extension				
6	5530-1907-025		Mountingset feedfence on wooden colomn	15-19cm Extension
5	5530-1906-010		Mountingset feedfence on post	15-19cm Extension On 2.5" (76mm)
5	5530-1906-027		Mountingset feedfence on post	15-19cm Extension On 3" (89mm)
5	5530-1907-042		Mountingset feedfence on post	15-19cm Extension On 3.5"(101mm)
5	5530-1907-049		Mountingset feedfence on post	15-19cm Extension On 4" (114mm)
7	5530-7000-024		Coupling strip Twist&Lock	L=350mm Extension 15-19cm
20 - 24 cm extension				
7	5530-1907-027		Mountingset feedfence on wooden colomn	20-24cm Extension
5	5530-1906-012		Mountingset feedfence on post	20-24cm Extension On 2.5" (76mm)
8	5530-7000-029		Coupling strip Twist&Lock	L=400mm Extension 20-24cm
Miscellaneous				
7	5530-7902-007		Mountingset feedfence	End Support For Tube 2.5" (76mm)
8	5530-1907-089		Universal angle iron with slotholes	L=294cm 65x50x6 mm

Self-locking feeding fence for young stock

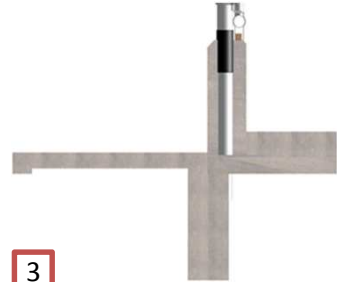
Support posts							
Feed fences for young stock							
	Wall height (from dung passage)	Support post on workfloor Prefab concrete (>12)		Support post on workfloor Cellar wall (+0)		Support post in the floor	
		2,5"	3"	2,5"	3"	2,5"	3"
	max. 55cm	170 cm	170 cm	180 cm	180 cm	185 cm	185 cm



1



2



3

Coupling strips and mounting parts					
Length	-1 - 4 cm	5 - 9 cm	10 - 14 cm	15 - 19 cm	20 - 24 cm
Support posts					
Flat	5530-1907-016	5530-1907-019	5530-1907-021	5530-1907-025	5530-1907-027
			asymmetric 5530-1907-023		
2,5"	5530-1906-004	5530-1906-006	5530-1906-008	5530-1906-010	5530-1906-012
3"	5530-1906-021	5530-1906-023	5530-1906-025	5530-1906-027	
3,5"	5530-1907-039	5530-1907-040	5530-1907-041	5530-1906-042	
4"	5530-1907-043	5530-1907-045	5530-1907-047	5530-1907-049	
Coupling strips	5530-7000-021	5530-7000-022	5530-7000-023	5530-7000-024	5530-7000-029



4



5



5



6



7

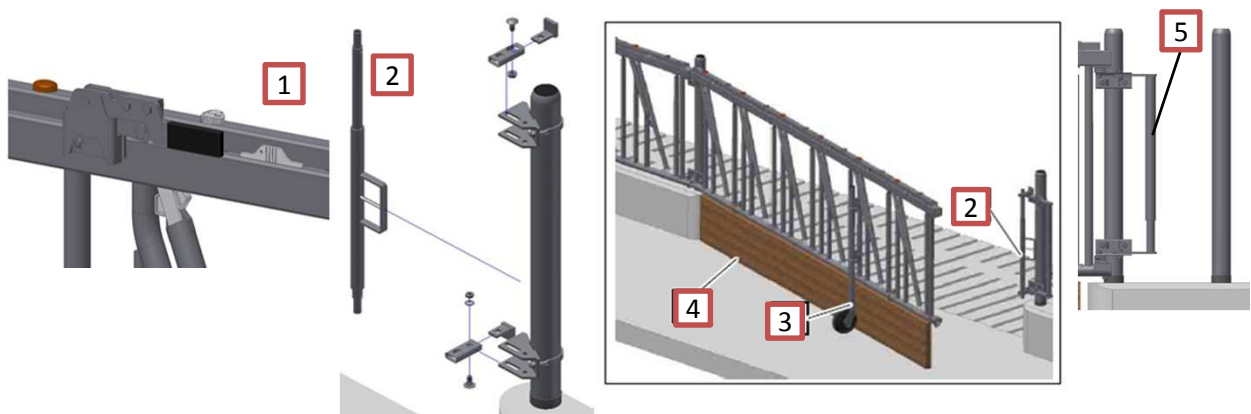


8

Self-locking feeding fence for young stock

Accessories

Fig.	Part Number	Note	Description	Size	
1	5530-7000-020		Operating handle	Twist&Lock	
2	5530-7040-030		Doorset	Youngstock 0,5-6 Months	
2	5530-7020-030		Doorset	Youngstock 7 -22 Months	
3	5530-7000-040		Support wheel	Twist & Lock + Fixings	
4	5530-1906-013		Board strip	Including 1.5" (48mm) Strap	
5	5530-7000-050		Passage bracket	Twist&Lock + Fixings	



Diagonal feed fences for young stock

0 - 3 months

Fig.	Part Number	Note	Description	Size
	5530-1053-000	1,5" upper/lower tube	Feed fence diagonal youngstock	130cm 3x43cm 0- 3 Mth. + Bolts
	5530-1052-000	1,5" upper/lower tube	Feed fence diagonal youngstock	205cm 6x34cm 0- 3 Mth. + Bolts
	5530-1051-000	1,5" upper/lower tube	Feed fence diagonal youngstock	255cm 8x32cm 0- 3 Mth. + Bolts
	5530-1050-000	1,5" upper/lower tube	Feed fence diagonal youngstock	325cm 11x30cm 0- 3 Mth. + Bolts
	5530-1057-000	1,5" upper/lower tube	Feed fence diagonal youngstock	440cm 15x29cm 0- 3 Mth. + Bolts



4 - 6 months

Fig.	Part Number	Note	Description	Size
	5530-1043-000	1,5" upper/lower tube	Feed fence diagonal youngstock	145cm 3x48cm 4- 6 Mth. + Bolts
	5530-1042-000	1,5" upper/lower tube	Feed fence diagonal youngstock	205cm 5x41cm 4- 6 Mth. + Bolts
	5530-1041-000	1,5" upper/lower tube	Feed fence diagonal youngstock	265cm 7x38cm 4- 6 Mth. + Bolts
	5530-1040-000	1,5" upper/lower tube	Feed fence diagonal youngstock	325cm 9x36cm 4- 6 Mth. + Bolts
	5530-1047-000	1,5" upper/lower tube	Feed fence diagonal youngstock	440cm 13x34cm 4- 6 Mth. + Bolts



7 - 16 months

Fig.	Part Number	Note	Description	Size
	5530-1012-000	1,5" upper/lower tube	Feed fence diagonal youngstock	125cm 2x62cm 7-18 Mth. + Bolts
	5530-1011-000	1,5" upper/lower tube	Feed fence diagonal youngstock	225cm 5x45cm 7-18 Mth. + Bolts
	5530-1010-000	1,5" upper/lower tube	Feed fence diagonal youngstock	325cm 8x41cm 7-18 Mth. + Bolts

Caution! Use a 2" doorset for 440 fence

	5530-1017-000	2" upper/lower tube	Feed fence diagonal youngstock	440cm 11x40cm 7-18 Mth. + Bolts
--	---------------	---------------------	--------------------------------	---------------------------------



Accessories

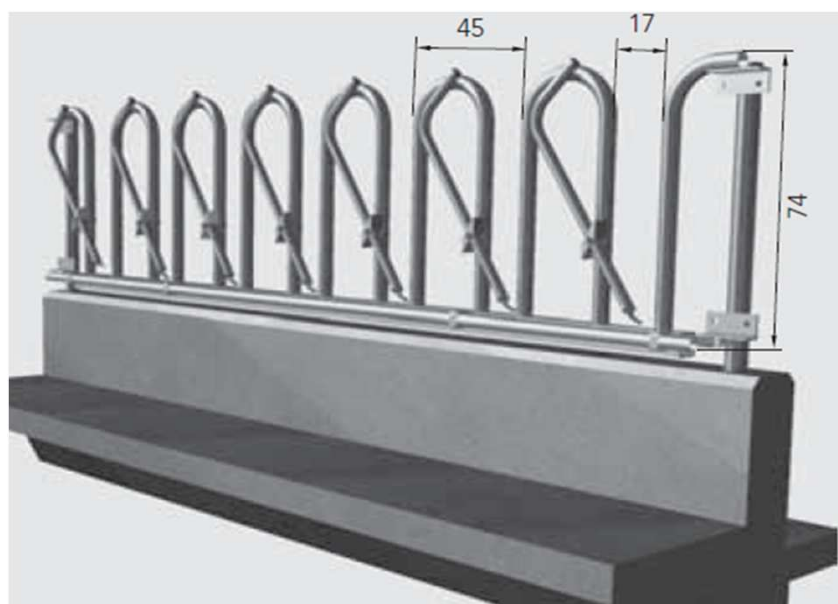
Fig.	Part Number	Note	Description	Size
	5530-1105-000		Door set diagonal feed fence	For 1.5" (48mm) Tubes
	5530-1105-002		Door set diagonal feed fence	For 2" (60mm) tubes
	5530-2060-007	0 t/m 6 mnd	Support Wheel	For 1" (34mm) L=66cm
	5530-2060-006	7 t/m 18 mnd	Support Wheel	For 1" (34mm) L=95cm
	5530-1906-004		Mountingset feedfence on post	0- 4cm Extension On 2.5" (76mm)
	5530-4285-000		Set wall brackets for feedfences	(excl Bouten, prijs/stel)
	5580-4512-081		Anchor bolt express	M10x 70mm 1-clip Hgalv.

For other mounting parts, see the section on self-locking feed fence for young stock

Swedish feed fence for young stock

6 - 12 months

Fig.	Part Number	Note	Description	Size
	5530-0452-000		Feed fence selflock Swedisch youngstock	105cm 2x55cm 6 -12 Mth. +Bolts
	5530-0451-000		Feed fence selflock Swedisch youngstock	237cm 5x47cm 6 -12 Mth. +Bolts
	5530-0450-000		Feed fence selflock Swedisch youngstock	325cm 7x46cm 6 -12 Mth. +Bolts



Accessories

Fig.	Part Number	Note	Description	Size
	5530-0400-011		Operating handle	Selflocking Swedish
	5530-0505-000		Doorset Swedish Feedfence	12-22 Months
	5530-2060-015		Support Wheel	For 1.5"(48mm) L=76cm
	5530-1906-004		Mountingset feedfence on post	0- 4cm Extension On 2.5"(76mm)
	5530-4285-000		Set wall brackets for feedfences	(excl Bouten,prijs/stel)
	5580-4512-081		Anchor bolt express	M10x 70mm 1-clip Hgalv.

For other mounting parts, see the section on self-locking feed fence for young stock