

Twist Lock Safety Feed Fences

The new GEA Farm Technologies Twist & Lock Safety Feed Fence ensures that animals which lay down or fall while in the feed fence are able to exit from the feed fence without difficulties.

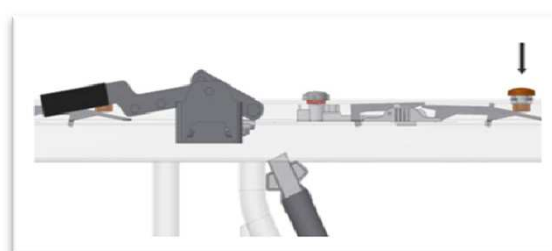
The feed fence is light to use and provides many head freedom. By the unique Twist & Lock function, animals can be individually released or be fixated. Through the use of soundless material is a excessive development occur for example the opening and closing of the catchment brackets.



Self-lock function Twist & Lock



Release function for individual cows



When the handle is in the self-lock position, the release button of the Twist & Lock safety feed fence sticks up. The retaining bar is locked when the cow places her head through the head opening and reaches for feed.

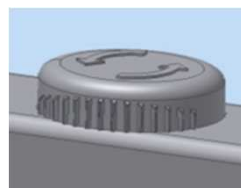
Animals can be released individually with a press of the release button.

Securing individual cows



Through use of the twist lock at the individual feeding places, individual cows can be secured while releasing the other animals in the group.

Twist & Lock in detail



Individual capture and release using the new Twist & Lock function



Very animal-friendly rounded pivot point. A bronze ball bearing provides years of wear-free operation.



With or without central locking function – it's up to you. The feed fence adapts to your manner of use.

Twist Lock Safety Feed Fences



Twist Lock Safety Feed Fences

Standard version



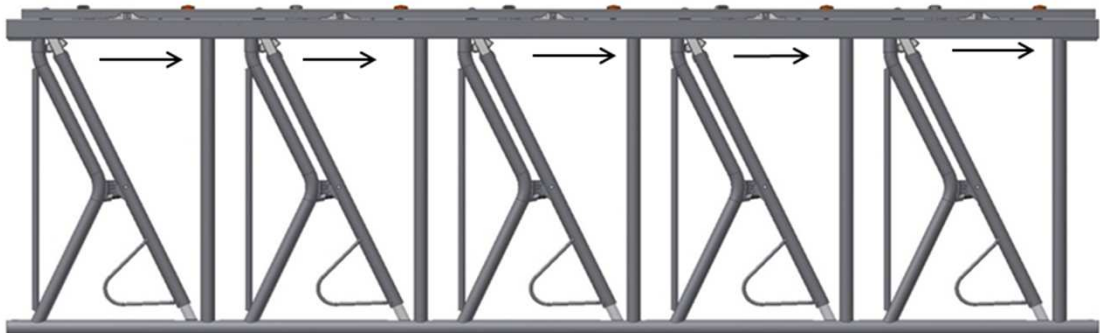
Version with central locking



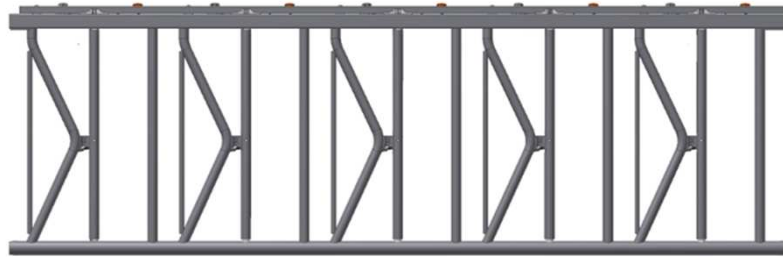
Version with locking brackets



Version with locking brackets and central locking



Twist Lock Safety Feed Fences

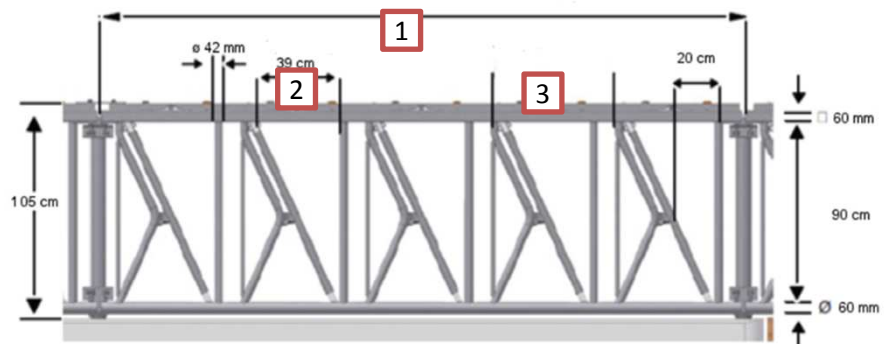


Twist Lock Safety Feed Fences Standard version

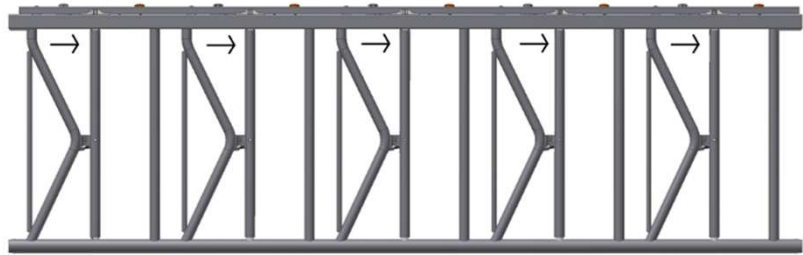
Fig.	Part number	Note	Description	Size/Dimensions
	5530-7001-000		Feed fence Twist & Lock	134cm (2x65 cm) + Bolts
	5530-7001-001		Feed fence Twist & Lock	197cm (3x65 cm) + Bolts
	5530-7001-018		Feed fence Twist & Lock	250cm (4x62.5cm) + Bolts
	5530-7001-002		Feed fence Twist & Lock	260cm (4x65 cm) + Bolts
	5530-7001-016		Feed fence Twist & Lock	299cm (5x60 cm) + Bolts
	5530-7001-003		Feed fence Twist & Lock	325cm (5x65 cm) + Bolts
Attention! Feed fences with more than 5 feed openings require intermediate support. Attachment material for 2.5" is included.				
	5530-7001-017		Feed fence Twist & Lock	356cm (6x60 cm) + Bolts
	5530-7001-019		Feed fence Twist & Lock	437cm (7x61 cm) + Bolts
	5530-7001-004		Feed fence Twist & Lock	140cm (2x70 cm) + Bolts
	5530-7001-005		Feed fence Twist & Lock	210cm (3x70 cm) + Bolts
	5530-7001-006		Feed fence Twist & Lock	280cm (4x70 cm) + Bolts
	5530-7001-007		Feed fence Twist & Lock	350cm (5x70 cm) + Bolts
Attention! Feed fences with more than 5 feed openings require intermediate support. Attachment material for 2.5" is included.				
	5530-7001-020		Feed fence Twist & Lock	479cm (7x68 cm) + Bolts
	5530-7001-008		Feed fence Twist & Lock	150cm (2x75 cm) + Bolts
	5530-7001-009		Feed fence Twist & Lock	225cm (3x75 cm) + Bolts
	5530-7001-010		Feed fence Twist & Lock	300cm (4x75 cm) + Bolts
	5530-7001-011		Feed fence Twist & Lock	375cm (5x75 cm) + Bolts
	5530-7001-012		Feed fence Twist & Lock	156cm (2x78 cm) + Bolts
	5530-7001-013		Feed fence Twist & Lock	234cm (3x78 cm) + Bolts
	5530-7001-014		Feed fence Twist & Lock	312cm (4x78 cm) + Bolts
	5530-7001-015		Feed fence Twist & Lock	390cm (5x78 cm) + Bolts

Attention! It is recommended that the centre-to-centre dimensions of the support posts be 1 cm longer than the fence length. For example, place the support posts for a 3.25 m feed fence at 3.26 m.

- 1 Centre-to-centre dimension of support
- 2 Head opening
- 3 Feeding width



Twist Lock Safety Feed Fences

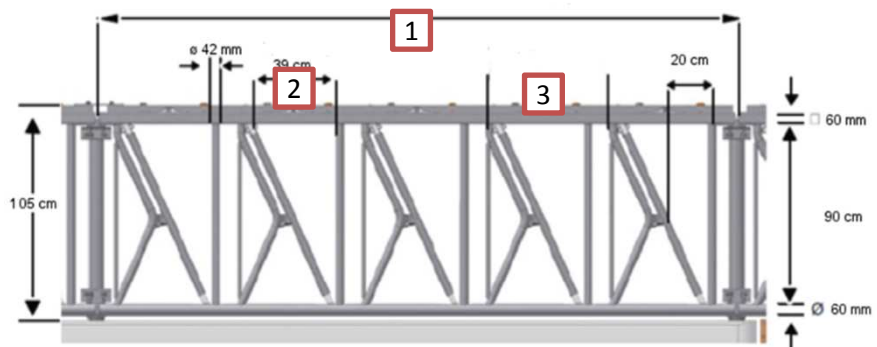


Twist Lock Safety Feed Fences Version with central locking

Fig.	Part number	Note	Description	Size/Dimensions
	5530-7001-300		Feed fence Twist & Lock + central close	134cm (2x65 cm) + Bolts
	5530-7001-301		Feed fence Twist & Lock + central close	197cm (3x65 cm) + Bolts
	5530-7001-318		Feed fence Twist & Lock + central close	250cm (4x62.5cm) + Bolts
	5530-7001-302		Feed fence Twist & Lock + central close	260cm (4x65 cm) + Bolts
	5530-7001-316		Feed fence Twist & Lock + central close	299cm (5x60 cm) + Bolts
	5530-7001-303		Feed fence Twist & Lock + central close	325cm (5x65 cm) + Bolts
Attention! Feed fences with more than 5 feed openings require intermediate support. Attachment material for 2.5" is included.				
	5530-7001-317		Feed fence Twist & Lock + central close	356cm (6x60 cm) + Bolts
	5530-7001-319		Feed fence Twist & Lock + central close	437cm (7x61 cm) + Bolts
	5530-7001-304		Feed fence Twist & Lock + central close	140cm (2x70 cm) + Bolts
	5530-7001-305		Feed fence Twist & Lock + central close	210cm (3x70 cm) + Bolts
	5530-7001-306		Feed fence Twist & Lock + central close	280cm (4x70 cm) + Bolts
	5530-7001-307		Feed fence Twist & Lock + central close	350cm (5x70 cm) + Bolts
Attention! Feed fences with more than 5 feed openings require intermediate support. Attachment material for 2.5" is included.				
	5530-7001-320		Feed fence Twist & Lock + central close	479cm (7x68 cm) + Bolts
	5530-7001-308		Feed fence Twist & Lock + central close	150cm (2x75 cm) + Bolts
	5530-7001-309		Feed fence Twist & Lock + central close	225cm (3x75 cm) + Bolts
	5530-7001-310		Feed fence Twist & Lock + central close	300cm (4x75 cm) + Bolts
	5530-7001-311		Feed fence Twist & Lock + central close	375cm (5x75 cm) + Bolts
	5530-7001-312		Feed fence Twist & Lock + central close	156cm (2x78 cm) + Bolts
	5530-7001-313		Feed fence Twist & Lock + central close	234cm (3x78 cm) + Bolts
	5530-7001-314		Feed fence Twist & Lock + central close	312cm (4x78 cm) + Bolts
	5530-7001-315		Feed fence Twist & Lock + central close	390cm (5x78 cm) + Bolts

Attention! It is recommended that the centre-to-centre dimensions of the support posts be 1 cm longer than the fence length. For example, place the support posts for a 3.25 m feed fence at 3.26 m.

- 1 Centre-to-centre dimension of support
- 2 Head opening
- 3 Feeding width



Twist Lock Safety Feed Fences

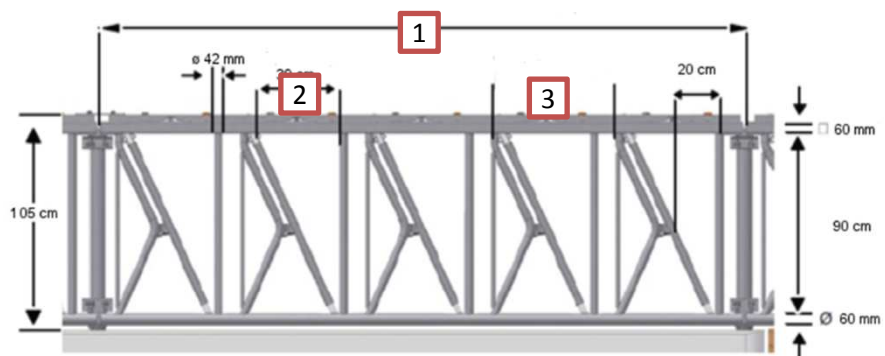


Twist Lock Safety Feed Fences Version with locking brackets

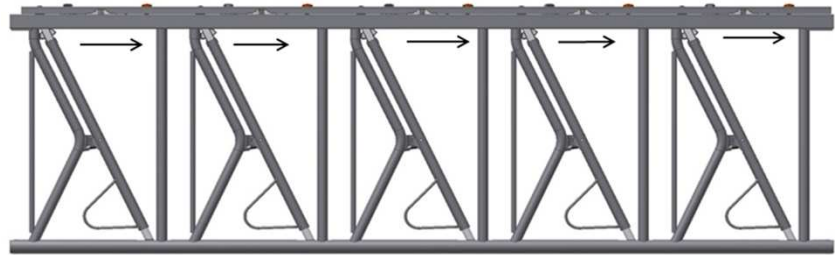
Fig.	Part number	Note	Description	Size/Dimensions
	5530-7001-200		Feed fence Twist & Lock + block bracket	134cm (2x65 cm) + Bolts
	5530-7001-201		Feed fence Twist & Lock + block bracket	197cm (3x65 cm) + Bolts
	5530-7001-218		Feed fence Twist & Lock + block bracket	250cm (4x62.5cm) + Bolts
	5530-7001-202		Feed fence Twist & Lock + block bracket	260cm (4x65 cm) + Bolts
	5530-7001-216		Feed fence Twist & Lock + block bracket	299cm (5x60 cm) + Bolts
	5530-7001-203		Feed fence Twist & Lock + block bracket	325cm (5x65 cm) + Bolts
Attention! Feed fences with more than 5 feed openings require intermediate support. Attachment material for 2.5" is included.				
	5530-7001-217		Feed fence Twist & Lock + block bracket	356cm (6x60 cm) + Bolts
	5530-7001-219		Feed fence Twist & Lock + block bracket	437cm (7x61 cm) + Bolts
	5530-7001-204		Feed fence Twist & Lock + block bracket	140cm (2x70 cm) + Bolts
	5530-7001-205		Feed fence Twist & Lock + block bracket	210cm (3x70 cm) + Bolts
	5530-7001-206		Feed fence Twist & Lock + block bracket	280cm (4x70 cm) + Bolts
	5530-7001-207		Feed fence Twist & Lock + block bracket	350cm (5x70 cm) + Bolts
Attention! Feed fences with more than 5 feed openings require intermediate support. Attachment material for 2.5" is included.				
	5530-7001-220		Feed fence Twist & Lock + block bracket	479cm (7x68 cm) + Bolts
	5530-7001-208		Feed fence Twist & Lock + block bracket	150cm (2x75 cm) + Bolts
	5530-7001-209		Feed fence Twist & Lock + block bracket	225cm (3x75 cm) + Bolts
	5530-7001-210		Feed fence Twist & Lock + block bracket	300cm (4x75 cm) + Bolts
	5530-7001-211		Feed fence Twist & Lock + block bracket	375cm (5x75 cm) + Bolts
	5530-7001-212		Feed fence Twist & Lock + block bracket	156cm (2x78 cm) + Bolts
	5530-7001-213		Feed fence Twist & Lock + block bracket	234cm (3x78 cm) + Bolts
	5530-7001-214		Feed fence Twist & Lock + block bracket	312cm (4x78 cm) + Bolts
	5530-7001-215		Feed fence Twist & Lock + block bracket	390cm (5x78 cm) + Bolts

Attention! It is recommended that the centre-to-centre dimensions of the support posts be 1 cm longer than the fence length. For example, place the support posts for a 3.25 m feed fence at 3.26 m.

- 1 Centre-to-centre dimension of support
- 2 Head opening
- 3 Feeding width



Twist Lock Safety Feed Fences

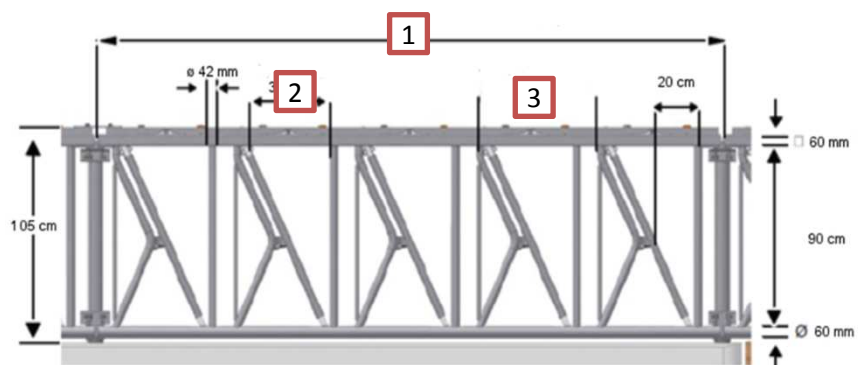


Twist Lock Safety Feed Fences Version with locking brackets and central locking

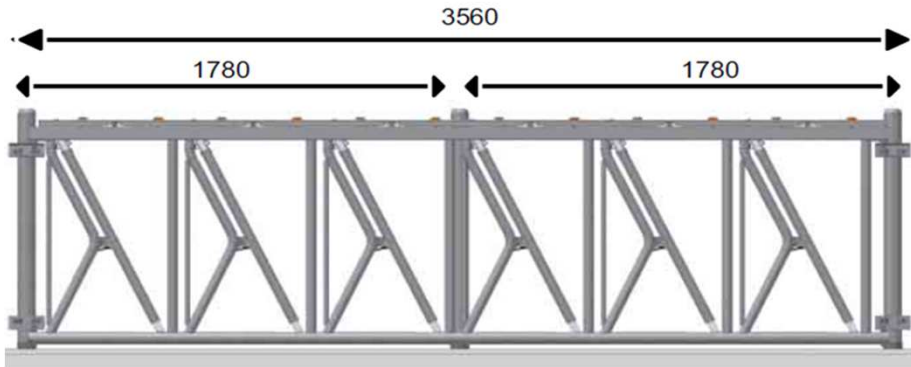
Fig.	Part number	Note	Description	Size/Dimensions
	5530-7001-400		Feed fence Twist & Lock + block/c.close	134cm (2x65 cm) + Bolts
	5530-7001-401		Feed fence Twist & Lock + block/c.close	197cm (3x65 cm) + Bolts
	5530-7001-418		Feed fence Twist & Lock + block/c.close	250cm (4x62.5cm) + Bolts
	5530-7001-402		Feed fence Twist & Lock + block/c.close	260cm (4x65 cm) + Bolts
	5530-7001-416		Feed fence Twist & Lock + block/c.close	299cm (5x60 cm) + Bolts
	5530-7001-403		Feed fence Twist & Lock + block/c.close	325cm (5x65 cm) + Bolts
Attention! Feed fences with more than 5 feed openings require intermediate support. Attachment material for 2.5" is included.				
	5530-7001-417		Feed fence Twist & Lock + block/c.close	356cm (6x60 cm) + Bolts
	5530-7001-419		Feed fence Twist & Lock + block/c.close	437cm (7x61 cm) + Bolts
	5530-7001-404		Feed fence Twist & Lock + block/c.close	140cm (2x70 cm) + Bolts
	5530-7001-405		Feed fence Twist & Lock + block/c.close	210cm (3x70 cm) + Bolts
	5530-7001-406		Feed fence Twist & Lock + block/c.close	280cm (4x70 cm) + Bolts
	5530-7001-407		Feed fence Twist & Lock + block/c.close	350cm (5x70 cm) + Bolts
Attention! Feed fences with more than 5 feed openings require intermediate support. Attachment material for 2.5" is included.				
	5530-7001-420		Feed fence Twist & Lock + block/c.close	479cm (7x68 cm) + Bolts
	5530-7001-408		Feed fence Twist & Lock + block/c.close	150cm (2x75 cm) + Bolts
	5530-7001-409		Feed fence Twist & Lock + block/c.close	225cm (3x75 cm) + Bolts
	5530-7001-410		Feed fence Twist & Lock + block/c.close	300cm (4x75 cm) + Bolts
	5530-7001-411		Feed fence Twist & Lock + block/c.close	375cm (5x75 cm) + Bolts
	5530-7001-412		Feed fence Twist & Lock + block/c.close	156cm (2x78 cm) + Bolts
	5530-7001-413		Feed fence Twist & Lock + block/c.close	234cm (3x78 cm) + Bolts
	5530-7001-414		Feed fence Twist & Lock + block/c.close	312cm (4x78 cm) + Bolts
	5530-7001-415		Feed fence Twist & Lock + block/c.close	390cm (5x78 cm) + Bolts

Attention! It is recommended that the centre-to-centre dimensions of the support posts be 1 cm longer than the fence length. For example, place the support posts for a 3.25 m feed fence at 3.26 m.

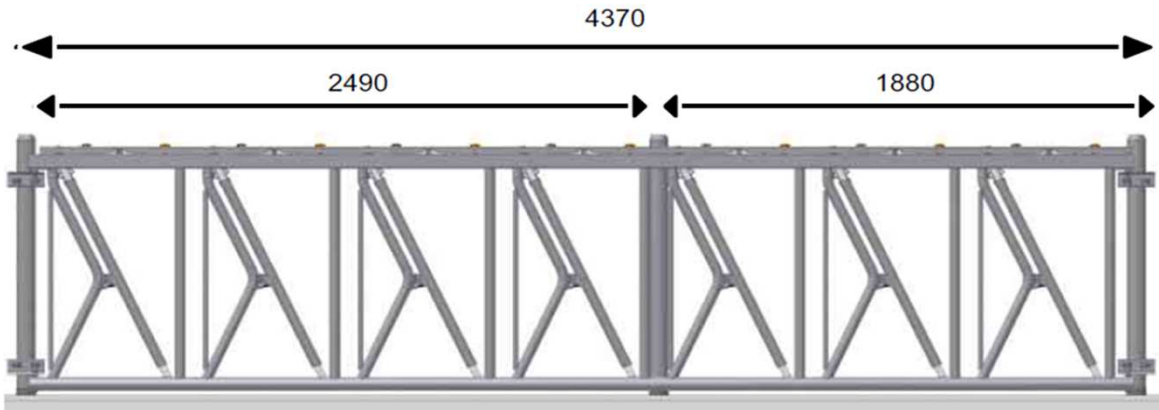
- 1 Centre-to-centre dimension of support
- 2 Head opening
- 3 Feeding width



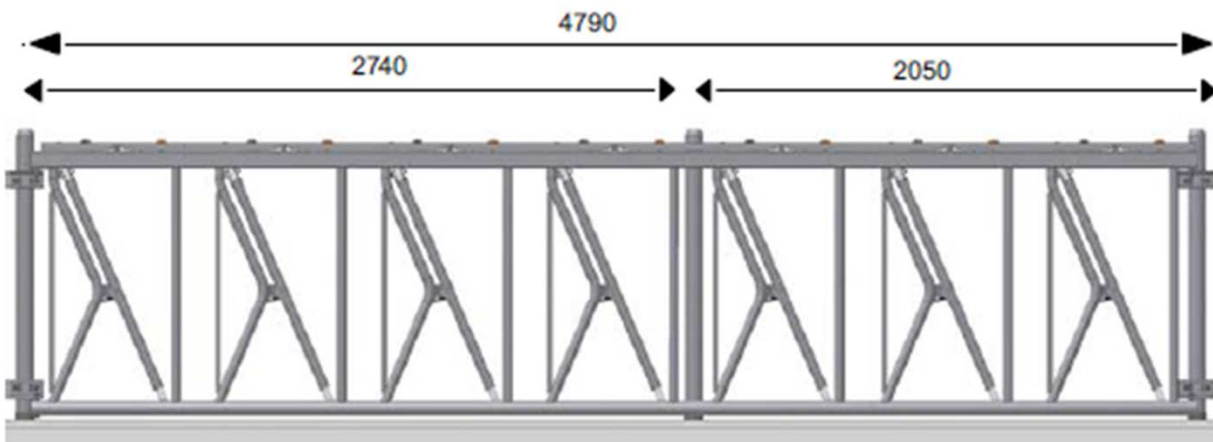
Twist Lock Safety Feed Fences



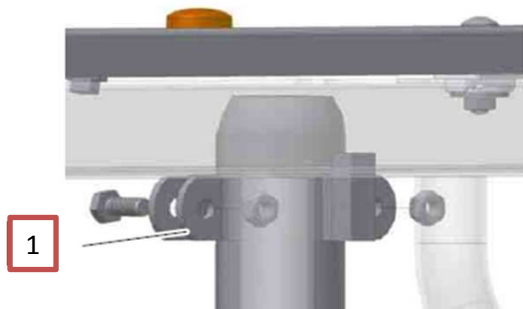
Position of support posts with 6 feed positions (Dim. in mm)



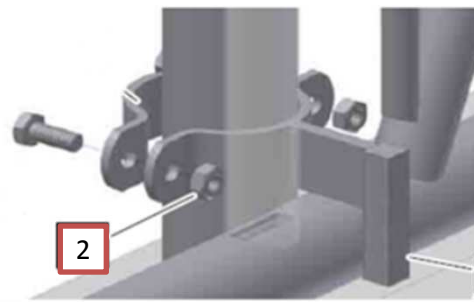
Position of support posts with 7 feed positions (Dim. in mm)



Position of support posts with 7 feed positions (Dim. in mm)



Upper attachment element for intermediate support



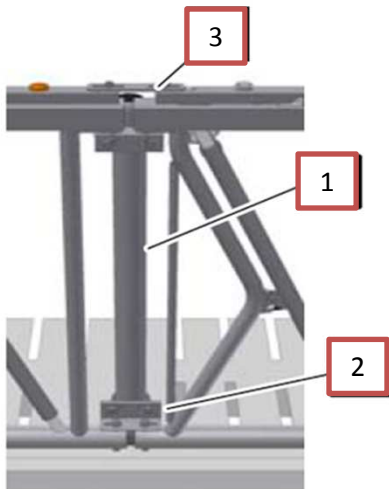
Lower attachment element for intermediate support

Fig.	Part number	Note	Description
1+2	5530-7000-070		Mountingset middle support post

Size/Dimensions
2.5"x2"

Twist Lock Safety Feed Fences

Fasteners

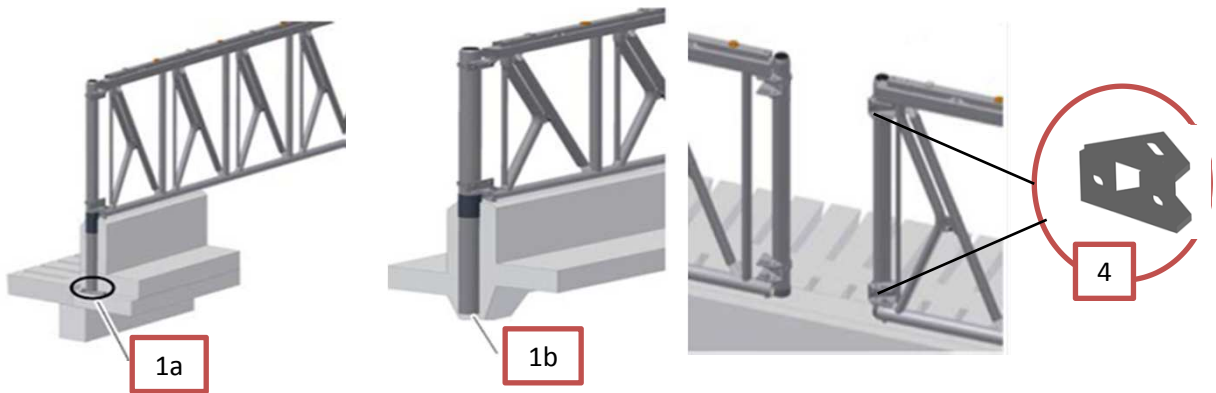


The feed fence is attached to the support post (1+2) with attachment elements (3+4).

Choose from: 1) Pour-in-place support post on the work floor 2) Support post in the floor

To attach two feed fences together, use a coupling strip (5). These must be ordered separately.

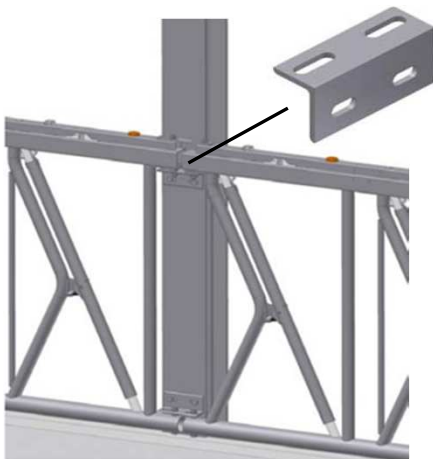
For a flat passageway, install a final attachment element (6).



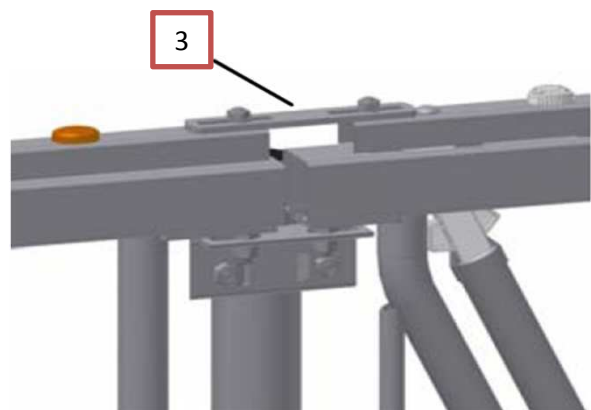
Fixing part with extension



Fixing part for round posts with flaps for extra strength



Attachment element for flat posts



Twist Lock Safety Feed Fences

Fasteners

Posts

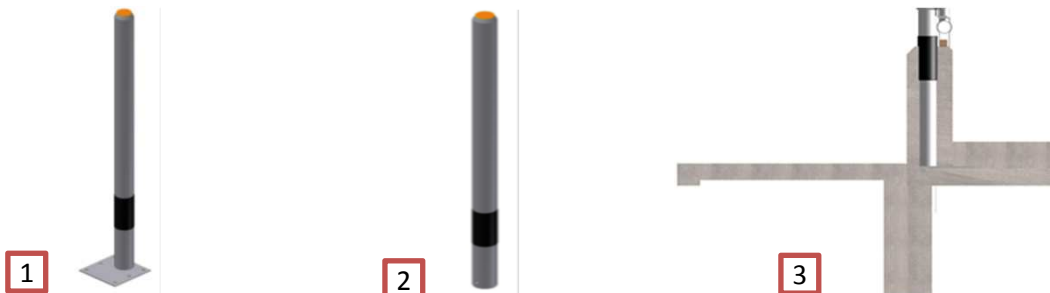
Fig.	Part number	Note	Description	Size/Dimensions
1	5550-2505-170		Support post on workfloor + sleeve/cap	2.5" (76x3.7mm) L=170cm Hgalv.
1	5550-2505-180		Support post on workfloor + sleeve/cap	2.5" (76x3.7mm) L=180cm Hgalv.
1	5550-3000-122		Support post on workfloor + sleeve/cap	3" (89x4.1mm) L=170cm Hgalv.
1	5550-3000-123		Support post on workfloor + sleeve/cap	3" (89x4.1mm) L=180cm Hgalv.
	5580-4512-081	4x per post	Anchor bolt express	M10x 70mm 1-clip Hgalv.
2 - 185cm posts				
2	5550-2500-185		Support post in floor + sleeve/cap	2.5" (76x3.7mm) L=185cm Hgalv.
2	5550-3000-120		Support post in floor + sleeve/cap	3" (89x4.1mm) L=185cm Hgalv.

Connection strip and fastening parts

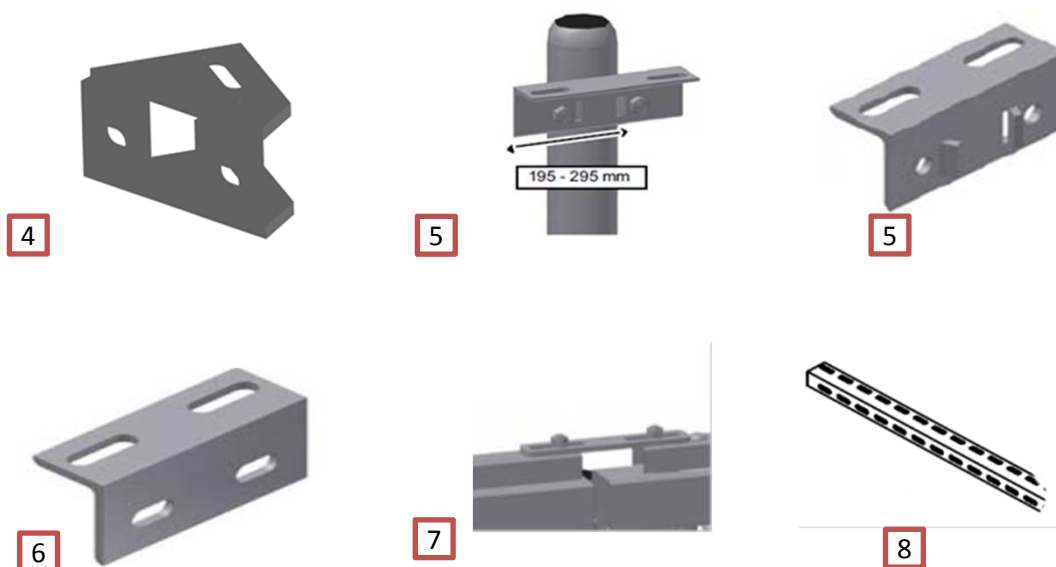
Fig.	Part number	Note	Description	Size/Dimensions
1 - 4 cm extension				
6	5530-1907-016		Mountingset feedfence on wooden colomn	0- 4cm Extension
5	5530-1906-004		Mountingset feedfence on post	0- 4cm Extension On 2.5" (76mm)
5	5530-1906-021		Mountingset feedfence on post	0- 4cm Extension On 3" (89mm)
5	5530-1907-039		Mountingset feedfence on post	0- 4cm Extension On 3.5"(101mm)
5	5530-1907-043		Mountingset feedfence on post	0- 4cm Extension On 4" (114mm)
7	5530-7000-021		Coupling strip Twist&Lock	L=200mm Extension 1- 4cm
	5530-7000-081		Feed barrier coupling profile centr.clos	0 Twist & Lock
5 - 9 cm extension				
6	5530-1907-019		Mountingset feedfence on wooden colomn	5- 9cm Extension
5	5530-1906-006		Mountingset feedfence on post	5- 9cm Extension On 2.5" (76mm)
5	5530-1906-023		Mountingset feedfence on post	5- 9cm Extension On 3" (89mm)
5	5530-1907-040		Mountingset feedfence on post	5- 9cm Extension On 3.5"(101mm)
5	5530-1907-045		Mountingset feedfence on post	5- 9cm Extension On 4" (114mm)
7	5530-7000-022		Coupling strip Twist&Lock	L=250mm Extension 5- 9cm
	5530-7000-082		Feed barrier coupling profile centr.clos	+ 50 Twist & Lock
10 - 14 cm extension				
6	5530-1907-021		Mountingset feedfence on wooden colomn	10-14cm Extension
7	5530-1907-023		Mountingset feedfence on wooden colomn	10-14cm Extension Asymmetric
5	5530-1906-008		Mountingset feedfence on post	10-14cm Extension On 2.5" (76mm)
5	5530-1906-025		Mountingset feedfence on post	10-14cm Extension On 3" (89mm)
5	5530-1907-041		Mountingset feedfence on post	10-14cm Extension On 3.5"(101mm)
5	5530-1907-047		Mountingset feedfence on post	10-14cm Extension On 4" (114mm)
7	5530-7000-023		Coupling strip Twist&Lock	L=300mm Extension 10-14cm
	5530-7000-083		Feed barrier coupling profile centr.clos	+ 100 Twist & Lock
15 - 19 cm extension				
6	5530-1907-025		Mountingset feedfence on wooden colomn	15-19cm Extension
5	5530-1906-010		Mountingset feedfence on post	15-19cm Extension On 2.5" (76mm)
5	5530-1906-027		Mountingset feedfence on post	15-19cm Extension On 3" (89mm)
5	5530-1907-042		Mountingset feedfence on post	15-19cm Extension On 3.5"(101mm)
5	5530-1907-049		Mountingset feedfence on post	15-19cm Extension On 4" (114mm)
7	5530-7000-024		Coupling strip Twist&Lock	L=350mm Extension 15-19cm
	5530-7000-084		Feed barrier coupling profile centr.clos	+ 150 Twist & Lock
20 - 24 cm extension				
7	5530-1907-027		Mountingset feedfence on wooden colomn	20-24cm Extension
5	5530-1906-012		Mountingset feedfence on post	20-24cm Extension On 2.5" (76mm)
8	5530-7000-029		Coupling strip Twist&Lock	L=400mm Extension 20-24cm
Various				
4	5530-7902-007		Mountingset feedfence	End Support For Tube 2.5" (76mm)
8	5530-1907-089		Universal angle iron with slotholes	L=294cm 65x50x6 mm

Twist Lock Safety Feed Fences

Posts							
Feed Fence Livestock							
	Wall height (from walking alley)	Support post on workfloor PREFABFLOOR (+>12)		Support post on workfloor BASEMENT WALL (+ 20)		Support post in floor	
		2,5"	3"	2,5"	3"	2,5"	3"
	max. 55cm	170 cm	170 cm	180 cm	180 cm	185 cm	185 cm
Note! At maximum wall height the feedingalley height is 15 to 20 cm higher than the manure alley							



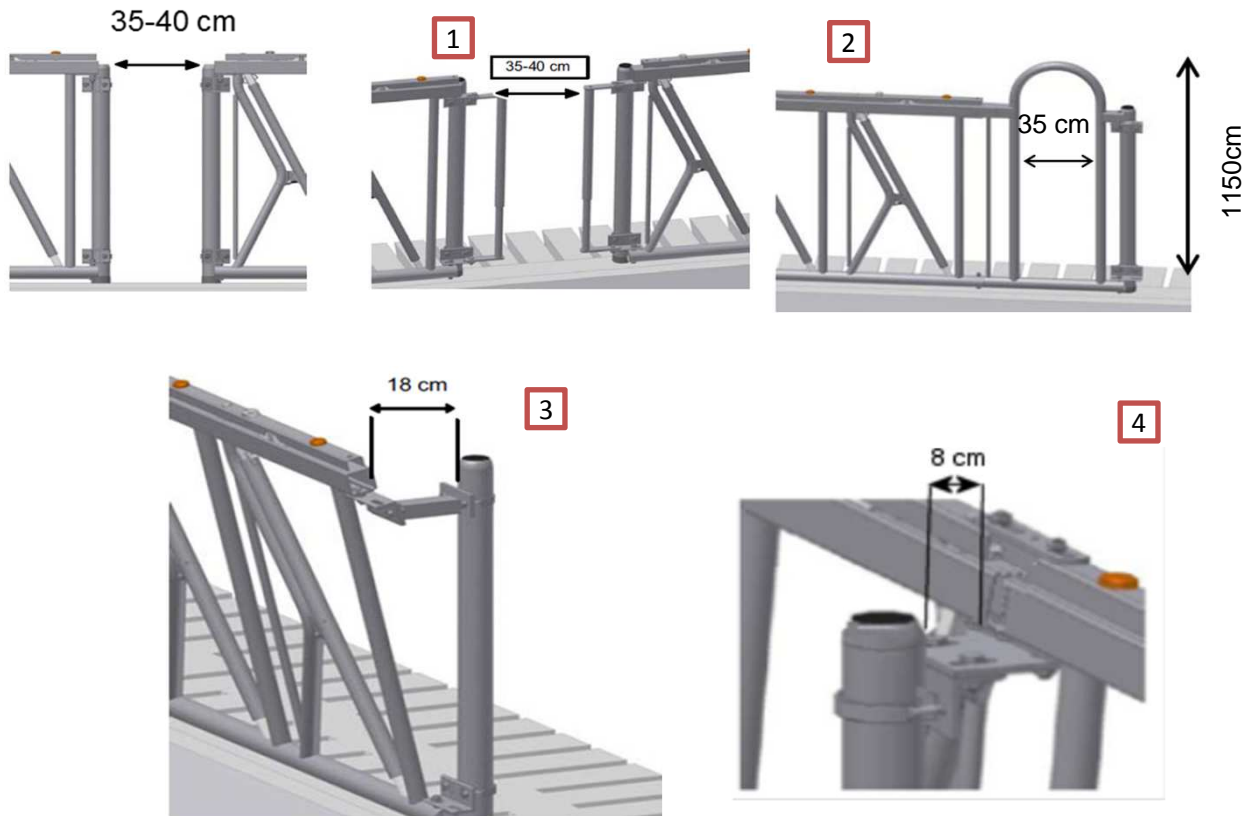
Connection strip and fastening parts					
Length	-1 - 4 cm	5 - 9 cm	10 - 14 cm	15 - 19 cm	20 - 24 cm
Posts					
Flat	5530-1907-016	5530-1907-019	5530-1907-021	5530-1907-025	5530-1907-027
			asymmetric 5530-1907-023		
2,5"	5530-1906-004	5530-1906-006	5530-1906-008	5530-1906-010	5530-1906-012
3"	5530-1906-021	5530-1906-023	5530-1906-025	5530-1906-027	
3,5"	5530-1907-039	5530-1907-040	5530-1907-041	5530-1906-042	
4"	5530-1907-043	5530-1907-045	5530-1907-047	5530-1907-049	
Connection strip	5530-7000-021	5530-7000-022	5530-7000-023	5530-7000-024	5530-7000-029
Connection strip Central pick up	5530-7000-081	5530-7000-082	5530-7000-083	5530-7000-084	



Twist Lock Safety Feed Fences

Pass-through gate

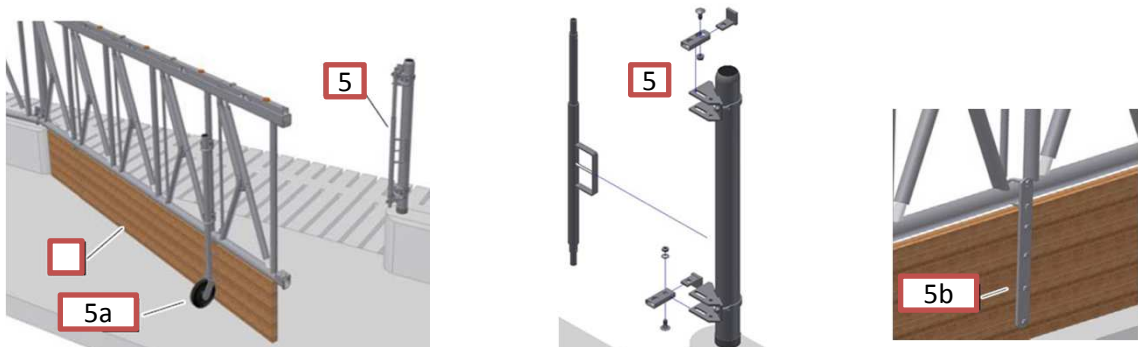
To create a passage for personnel, you can choose to install either two support posts at a distance of 35-40 cm or additional pass-through brackets (1). A pass-through bracket reduces the passage by 15 cm. As an alternative, a pass-through gate (2) can be installed. Two different types of spacers are available to tilt gates forward by 8 cm and 18 cm respectively.



With tilting element with 12° angle for 2.5" and 3" pipes Angled attachment element for tilted attachment between trusses

Doorset

Every feed fence with less than 6 feed positions can be used as a door element (5). The concrete must be flat beneath the door element. There cannot be a raised concrete plinth beneath the door element. Feed gates with more than two feed positions get a support wheel (5a). Optionally, a pass-through door can be used as an end door. An attachment strip (5b) should be used to mount the planks.



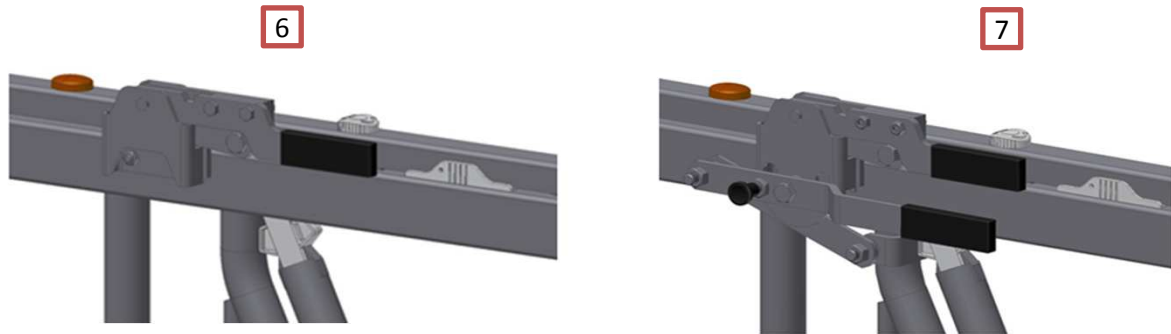
Twist Lock Safety Feed Fences

Accessories

Fig.	Part number	Note	Description	Size/Dimensions
1	5530-7000-050		Passage bracket	Twist&Lock + Fixings
2	5530-7000-060		Walkthrough gate	Twist&lock + Fixings
3	5530-1906-020		Spacer slanting position	Distance 18cm + Bolts
4	5530-1906-032		Strip slanting position	Distance 8cm + Bolts
5	5530-7000-030		Doorset	Twist & Lock
5a	5530-7000-040		Support wheel	Twist & Lock + Fixings
5b	5530-1906-015		Board strip	Including 2" (60mm) Strap
Operating handle				
6	5530-7000-020		Operating handle	Twist&Lock
7	5530-7000-080		Operating handle	Twist&Lock, Central Closing

Operating handle

For the various versions of the Twist & Lock feedfence there are two variants operating handle. A variant for the feeding fence with central closing function (6), as well as an embodiment for the implementation without central closing function (7).



The maximum fence length per operating handle is 40 m

Füttern

Classic Lock self-locking feed fence

The Classic Lock self-locking feed fence from GEA Farm Technologies is a robust and generously dimensioned feed fence. Because the operating mechanism is in the upper profile, the fence is easy to operate. Operation with just a turn of the hand, even over greater lengths. The feed fence makes little noise due to the use of plastic caps on the retaining bars.

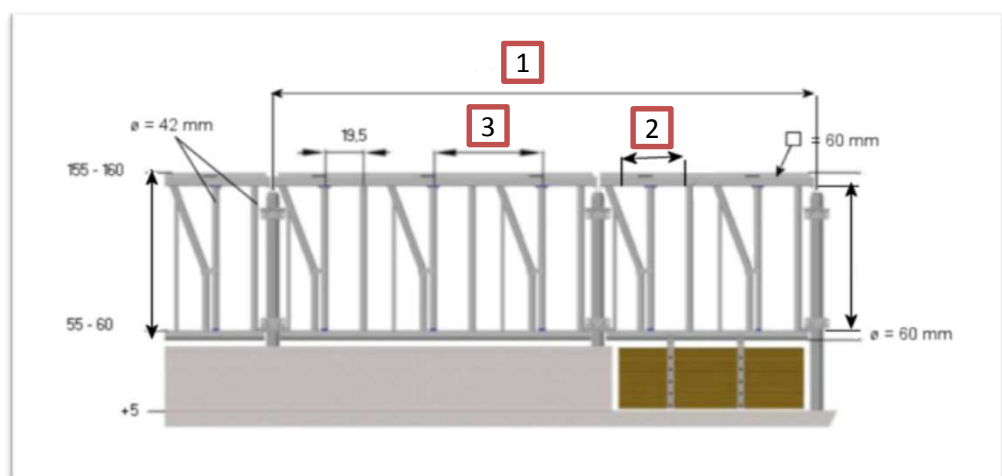


Classic Lock self-locking feed fence

Fig.	Part number	Note	Description	Size/Dimensions
	5530-7400-048		Feed fence selflocking Classic	130cm (2x65cm) + Bolts
	5530-7400-054		Feed fence selflocking Classic	195cm (3x65cm) + Bolts
	5530-7400-060		Feed fence selflocking Classic	260cm (4x65cm) + Bolts
	5530-7400-066		Feed fence selflocking Classic	325cm (5x65cm) + Bolts
Attention! Feed fences with more than 5 feed openings require intermediate support. Attachment material for 2.5" is included.				
	5530-7400-068		Feed fence selflocking Classic	440cm (7x65cm) + Bolts
	5530-7400-050		Feed fence selflocking Classic	140cm (2x70cm) + Bolts
	5530-7400-056		Feed fence selflocking Classic	210cm (3x70cm) + Bolts
	5530-7400-062		Feed fence selflocking Classic	280cm (4x70cm) + Bolts
	5530-7400-052		Feed fence selflocking Classic	150cm (2x75cm) + Bolts
	5530-7400-058		Feed fence selflocking Classic	225cm (3x75cm) + Bolts
	5530-7400-064		Feed fence selflocking Classic	300cm (4x75cm) + Bolts

Attention! It is recommended that the centre-to-centre dimensions of the support posts be 1 cm longer than the fence length. For example, place the support posts for a 3.25 m feed fence at 3.26 m.

- 1** Centre-to-centre dimension of support posts is length of feed fence + 1 cm.
- 2** Head opening
- 3** Feeding width



Classic Lock self-locking feed fence

Fasteners

Posts

Fig.	Part number	Note	Description	Size/Dimensions
1	5550-2505-170		Support post on workfloor + sleeve/cap	2.5" (76x3.7mm) L=170cm Hgalv.
1	5550-2505-180		Support post on workfloor + sleeve/cap	2.5" (76x3.7mm) L=180cm Hgalv.
1	5550-3000-122		Support post on workfloor + sleeve/cap	3" (89x4.1mm) L=170cm Hgalv.
1	5550-3000-123		Support post on workfloor + sleeve/cap	3" (89x4.1mm) L=180cm Hgalv.
	5580-4512-081	4x per post	Anchor bolt express	M10x 70mm 1-clip Hgalv.
2	5550-2500-185		Support post in floor + sleeve/cap	2.5" (76x3.7mm) L=185cm Hgalv.
2	5550-3000-120		Support post in floor + sleeve/cap	3" (89x4.1mm) L=185cm Hgalv.

Connection strip and fastening parts

Fig.	Part number	Note	Description	Size/Dimensions
1 - 4 cm extension				
6	5530-1907-016		Mountingset feedfence on wooden colomn	0- 4cm Extension
5	5530-1906-004		Mountingset feedfence on post	0- 4cm Extension On 2.5" (76mm)
5	5530-1906-021		Mountingset feedfence on post	0- 4cm Extension On 3" (89mm)
5	5530-1907-039		Mountingset feedfence on post	0- 4cm Extension On 3.5"(101mm)
5	5530-1907-043		Mountingset feedfence on post	0- 4cm Extension On 4" (114mm)
7	5530-7303-005		Coupling strip Classic-Lock	L=166mm Extension 1- 4cm +Bolts
5 - 9 cm extension				
6	5530-1907-019		Mountingset feedfence on wooden colomn	5- 9cm Extension
5	5530-1906-006		Mountingset feedfence on post	5- 9cm Extension On 2.5" (76mm)
5	5530-1906-023		Mountingset feedfence on post	5- 9cm Extension On 3" (89mm)
5	5530-1907-040		Mountingset feedfence on post	5- 9cm Extension On 3.5"(101mm)
5	5530-1907-045		Mountingset feedfence on post	5- 9cm Extension On 4" (114mm)
7	5530-7303-006		Coupling strip Classic-Lock	L=216mm Extension 5- 9cm +Bolts
10 - 14 cm extension				
6	5530-1907-021		Mountingset feedfence on wooden colomn	10-14cm Extension
7	5530-1907-023		Mountingset feedfence on wooden colomn	10-14cm Extension Asymmetric
5	5530-1906-008		Mountingset feedfence on post	10-14cm Extension On 2.5" (76mm)
5	5530-1906-025		Mountingset feedfence on post	10-14cm Extension On 3" (89mm)
5	5530-1907-041		Mountingset feedfence on post	10-14cm Extension On 3.5"(101mm)
5	5530-1907-047		Mountingset feedfence on post	10-14cm Extension On 4" (114mm)
7	5530-7303-007		Coupling strip Classic-Lock	L=266mm Extension 10-14cm +Bolts
15 - 19 cm extension				
6	5530-1907-025		Mountingset feedfence on wooden colomn	15-19cm Extension
5	5530-1906-010		Mountingset feedfence on post	15-19cm Extension On 2.5" (76mm)
5	5530-1906-027		Mountingset feedfence on post	15-19cm Extension On 3" (89mm)
5	5530-1907-042		Mountingset feedfence on post	15-19cm Extension On 3.5"(101mm)
5	5530-1907-049		Mountingset feedfence on post	15-19cm Extension On 4" (114mm)
7	5530-7303-008		Coupling strip Classic-Lock	L=316mm Extension 15-19cm +Bolts
20 - 24 cm extension				
7	5530-1907-027		Mountingset feedfence on wooden colomn	20-24cm Extension
5	5530-1906-012		Mountingset feedfence on post	20-24cm Extension On 2.5" (76mm)
Various				
4	5530-7902-007		Mountingset feedfence	End Support For Tube 2.5" (76mm)
8	5530-1907-089		Universal angle iron with slotholes	L=294cm 65x50x6 mm

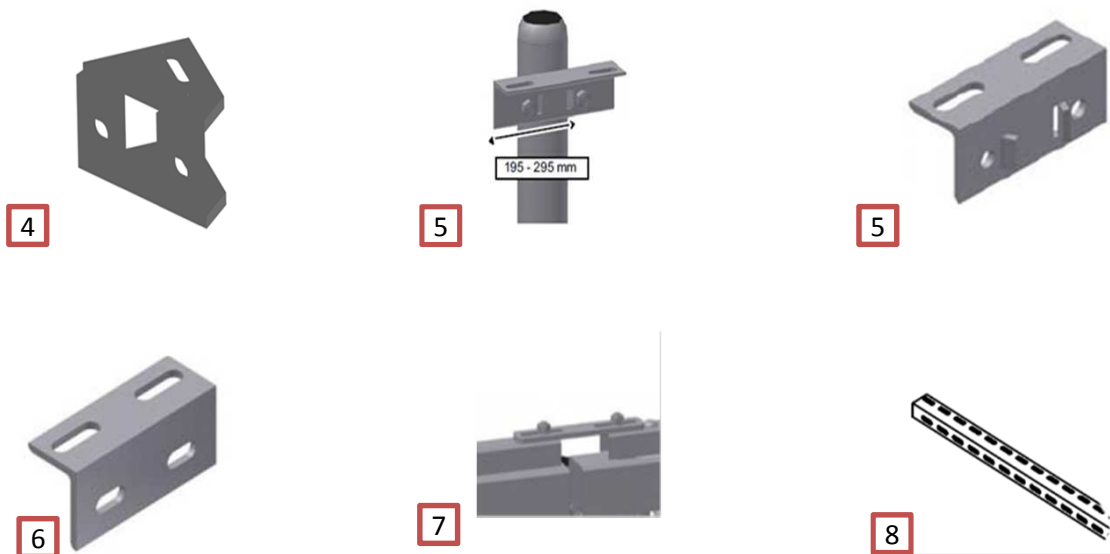
Classic Lock self-locking feed fence

Posts							
Feed Fence Livestock	Wall height (from walking alley) max. 55cm	Support post on workfloor		Support post on workfloor		Support post in floor	
		PREFABFLOOR (+>12)		BASEMENT WALL (+ 20)		2,5"	3"
		2,5"	3"	2,5"	3"	2,5"	3"
		170 cm	170 cm	180 cm	180 cm	185 cm	185 cm

Note! At maximum wall height the feedingalley height is 15 to 20 cm higher than the manure alley



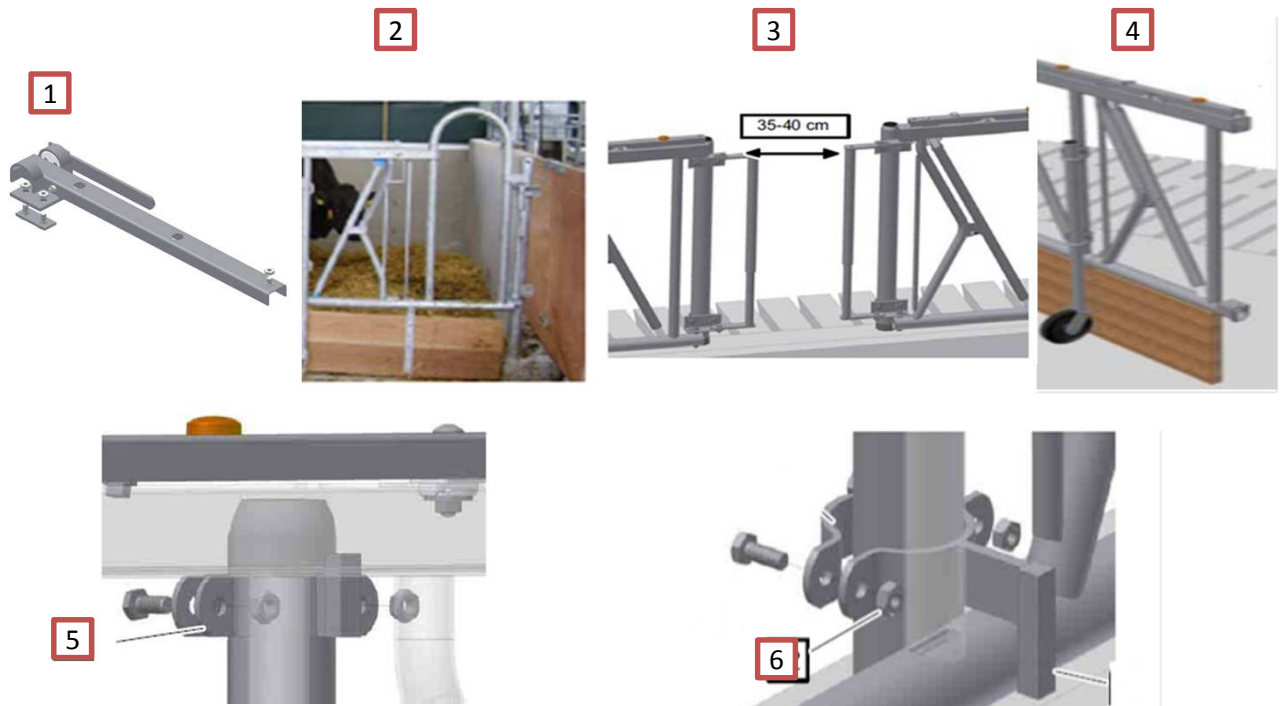
Connection strip and fastening parts					
Length	1 - 4 cm	5 - 9 cm	10 - 14 cm	15 - 19 cm	20 - 24 cm
Posts					
Flat	5530-1907-016	5530-1907-019	5530-1907-021	5530-1907-025	5530-1907-027
			asymmetric 5530-1907-023		
2,5"	5530-1906-004	5530-1906-006	5530-1906-008	5530-1906-010	5530-1906-012
3"	5530-1906-021	5530-1906-023	5530-1906-025	5530-1906-027	
3,5"	5530-1907-039	5530-1907-040	5530-1907-041	5530-1906-042	
4"	5530-1907-043	5530-1907-045	5530-1907-047	5530-1907-049	
Connection strip	5530-7303-005	5530-7303-006	5530-7303-007	5530-7303-008	



Classic Lock self-locking feed fence

Accessories

Fig.	Part number	Note	Description	Size/Dimensions
1	5530-7455-007		Operating handle	Classic-Lock
2	5550-7200-015		Walkthrough gate	Classic-Lock + Fixings
3	5530-7000-050		Passage bracket	Twist&Lock + Fixings
4	5530-7333-001		Support wheel	Classic Lock + Fixings
	5530-7707-000		End bar + extension	For Mounting Between Consoles
	5530-7706-017		Doorset	Classic-Lock

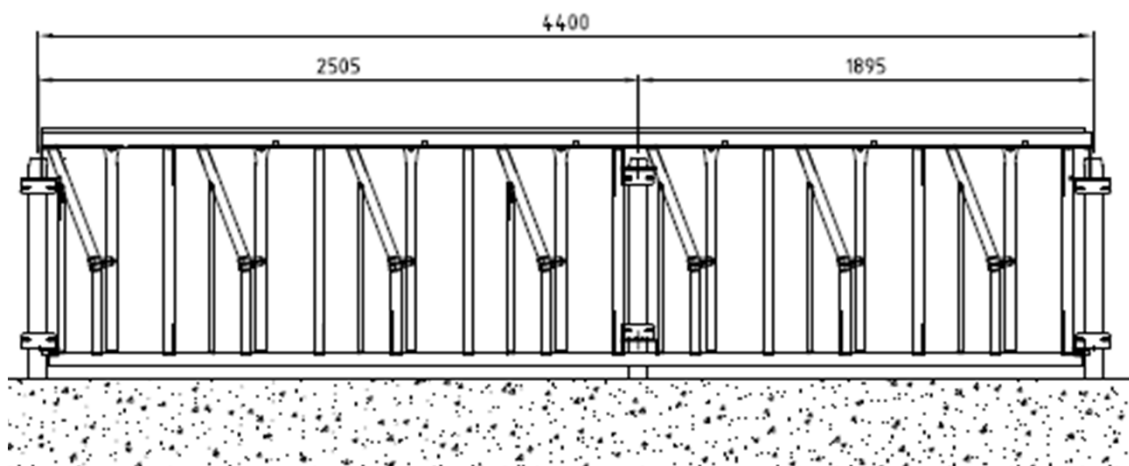


Upper attachment element for intermediate support

Lower attachment element for intermediate support

Fig.	Part number	Note	Description	Size/Dimensions
5+6	5530-7000-070		Mountingset middle support post	2.5"x2"

Position of support posts with 7 feed positions (Dim. in mm)



Feed fences with overhead closure above

The feed fences from GEA Farm Technologies with flap lock are suitable for multiple applications. The large head opening allows the animals to easily enter and exit the feed fence. The neck width is adjustable for different sized animals. For locking, you can choose between central operation and individual operation of each gate. Robust fence with 2" upper and lower pipe and 1 1/4" posts. Insert elements allow continuous adjustment of the fence length by up to 20 cm. At lengths of 390 cm or greater, attachment to the bottom wall is necessary for extra sturdiness.

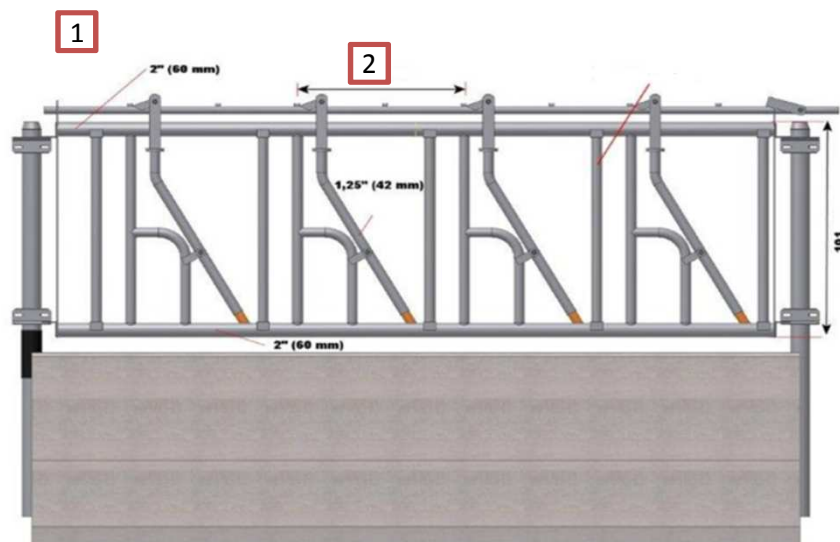


Feed fences with overhead closure above

Fig.	Part number	Note	Description	Size/Dimensions	
	5530-0514-000		Feed fence selflocking with flap lock	65- 85cm (1x65cm) + Bolts	
	5530-0513-000		Feed fence selflocking with flap lock	130-150cm (2x65cm) + Bolts	
	5530-0512-000		Feed fence selflocking with flap lock	195-215cm (3x65cm) + Bolts	
	5530-0511-000		Feed fence selflocking with flap lock	260-280cm (4x65cm) + Bolts	
	5530-0510-000		Feed fence selflocking with flap lock	325-345cm (5x65cm) + Bolts	
Attention! Feed fences longer than 390cm require intermediate support. Attachment material for 2.5" is not included.					
	5530-0516-000		Feed fence selflocking with flap lock	390-410cm (6x65cm) + Bolts	
	5530-0517-000		Feed fence selflocking with flap lock	435-455cm (7x62cm) + Bolts	
	5530-0518-000		Feed fence selflocking with flap lock	455-475cm (7x65cm) + Bolts	
	5530-0519-000		Feed fence selflocking with flap lock	520-540cm (8x65cm) + Bolts	
Attention! Always keep adjustment bolts on the inside. Otherwise they stick out.					
	5530-0500-100		Mountingset middle support post	2.5"x2": Voor Klepelvoerhek	Auf Anfrage

1 Adjustable bar

2 Feeding width



For centre support post see chapter Twist & Lock

Feed fences with overhead closure above

Fasteners

Posts

Fig.	Part number	Note	Description	Size/Dimensions
1	5550-2505-170		Support post on workfloor + sleeve/cap	2.5" (76x3.7mm) L=170cm Hgalv.
1	5550-2505-180		Support post on workfloor + sleeve/cap	2.5" (76x3.7mm) L=180cm Hgalv.
1	5550-3000-122		Support post on workfloor + sleeve/cap	3" (89x4.1mm) L=170cm Hgalv.
1	5550-3000-123		Support post on workfloor + sleeve/cap	3" (89x4.1mm) L=180cm Hgalv.
	5580-4512-081	4x per post	Anchor bolt express	M10x 70mm 1-clip Hgalv.
2	5550-2500-185		Support post in floor + sleeve/cap	2.5" (76x3.7mm) L=185cm Hgalv.
2	5550-3000-120		Support post in floor + sleeve/cap	3" (89x4.1mm) L=185cm Hgalv.

Accessories

Above 10 cm extension, other fastenings are used. See chapter option feed fence.

Operating handles are included with every fence.

Fig.	Part number	Note	Description	Size/Dimensions
4	5550-7737-000		Clamp with hinge plate	2.5" (76 mm)
5	5530-0519-003		Coupling tube operation flaplock fence	L=49cm + Bolts
6	5530-1105-002		Door set diagonal feed fence	For 2" (60mm) tubes
	5530-7000-040		Support wheel	Twist & Lock + Fixings

Remarks:

An operating handle is fitted on every feed fence as standard equipment.

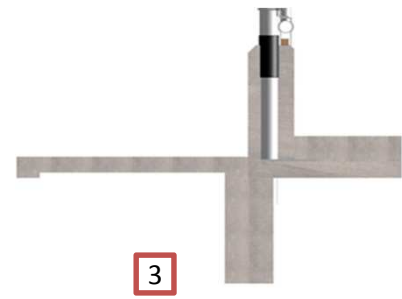
Coupling pipes can be used for up to 20 cm of extension from the minimum feed fence

Fences of 390 cm or longer to the bottom wall or via a 2.5" middle

Feed fences with overhead closure above

Fasteners

Posts							
Feed Fence Livestock							
	Wall height (from walking alley)	Support post on workflow PREFABFLOOR (>12)		Support post on workflow BASEMENT WALL (+ 20)		Support post in floor	
		2,5"	3"	2,5"	3"	2,5"	3"
	max. 55cm	170 cm	170 cm	180 cm	180 cm	185 cm	185 cm
Note! At maximum wall height the feedingalley height is 15 to 20 cm higher than the manure alley							



Operating handle



Swedish Feed Fence

The time-tested GEA Farm Technologies selflocking Swedish feed fence provides optimal assurance for all cattle with horns.

The retaining bars can be released individually and are fitted with collar protection on the underside.

The self-locking Swedish feed fences can also be delivered without retaining bars (not selflocking).



Swedish Feed Fence

Fig.	Part number	Note	Description	Size/Dimensions
	5530-0701-010		Feed fence selflocking Swedisch	65cm (1x65cm) + Bolts
	5530-0701-020		Feed fence selflocking Swedisch	130cm (2x65cm) + Bolts
	5530-0701-030		Feed fence selflocking Swedisch	195cm (3x65cm) + Bolts
	5530-0701-040		Feed fence selflocking Swedisch	260cm (4x65cm) + Bolts
	5530-0701-050		Feed fence selflocking Swedisch	325cm (5x65cm) + Bolts
	5530-0701-070		Feed fence selflocking Swedisch	440cm (7x63cm) + Bolts
	5530-0701-080		Feed fence selflocking Swedisch	460cm (7x72cm) + Bolts

Fasteners

Fig.	Part number	Note	Description	Size/Dimensions
1	5530-1906-004		Mountingset feedfence on post	0- 4cm Extension On 2.5" (76mm)
2	5530-7902-007		Mountingset feedfence	End Support For Tube 2.5" (76mm)
3	5530-1907-089		Universal angle iron with slotholes	L=294cm 65x50x6 mm

Other fasteners see chapter accessories

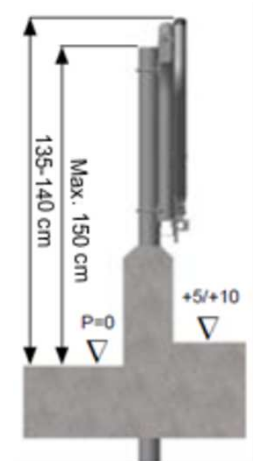
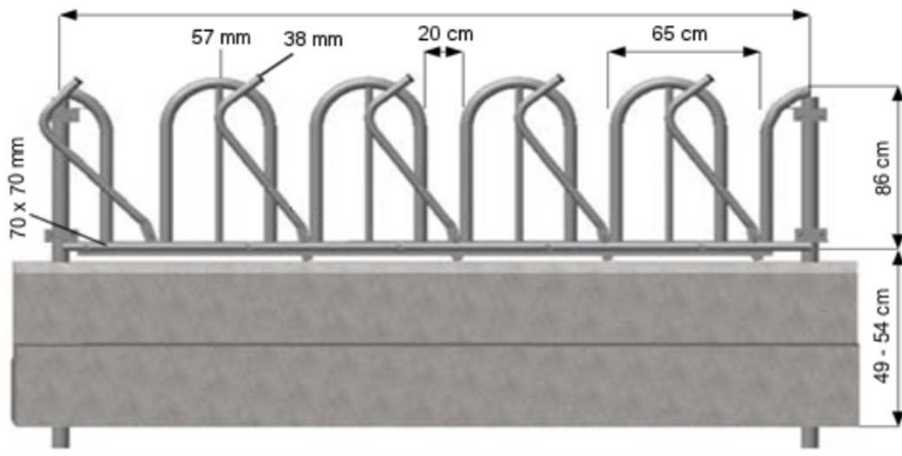
Posts

Fig.	Part number	Note	Description	Size/Dimensions
4	5550-2505-160		Support post on workfloor + sleeve/cap	2.5" (76x3.7mm) L=160cm Hgalv.
4	5550-2505-170		Support post on workfloor + sleeve/cap	2.5" (76x3.7mm) L=170cm Hgalv.
	5580-4512-081	4x per post	Anchor bolt express	M10x 70mm 1-clip Hgalv.
5	5550-2500-175		Support post in floor + sleeve/cap	2.5" (76x3.7mm) L=175cm Hgalv.

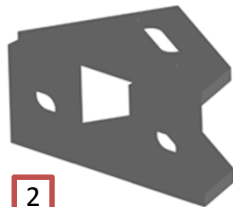
Accessories

Fig.	Part number	Note	Description	Size/Dimensions
	5530-0400-011		Operating handle	Selflocking Swedish
	5530-0505-001		Doorset Swedish Feedfence	> 16 Months
	5530-2060-015		Support Wheel	For 1.5"(48mm) L=76cm
	5530-0506-000		Board strip	Selflocking Swedish

Swedish Feed Fence



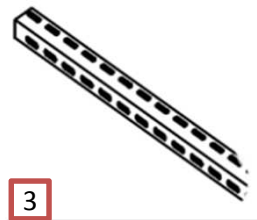
1



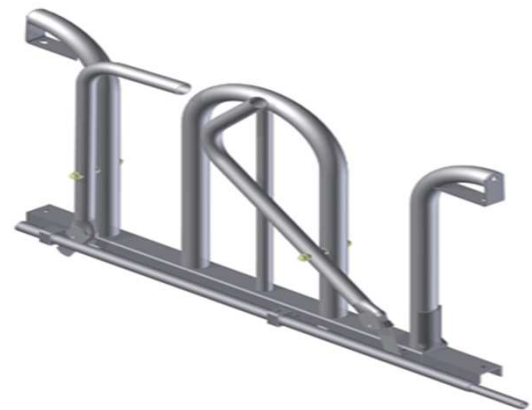
2



1



3



Durable bronze bearings
Retaining bar constructed of sturdy 1 1/4" pipe

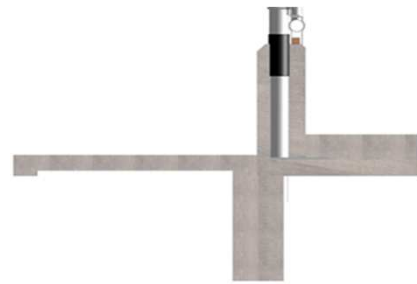
Posts				
Feed Fence Livestock				
	Wall height (from walking alley)	Support post on workfloor PREFABFLOOR (+>12)	Support post on workfloor BASEMENT WALL (+ 20)	Support post in floor
		2,5"	2,5"	2,5"
	max. 50cm	160 cm	170 cm	175 cm



4



5



Diagonal feed fence

The price-conscious alternative from GEA Farm Technologies: Diagonal feed fences guide and position the animals at the feed location. By separating the animals, the feed is pushed around less and domination conflicts are reduced.



Diagonal feed fence

Fig.	Part number	Note	Description	Size/Dimensions
	5530-1002-000		Feed fence diagonal	135cm 2x68cm >16 Mth. + Bolts
	5530-1001-000		Feed fence diagonal	250cm 5x50cm >16 Mth. + Bolts
	5530-1000-000		Feed fence diagonal	325cm 7x46cm >16 Mth. + Bolts
Attention! Use a 2" door set for 440 fence				
	5530-1007-000		Feed fence diagonal	440cm 10x44cm >16 Mth. + Bolts

Fasteners

Fig.	Part number	Note	Description	Size/Dimensions
1	5530-1906-004		Mountingset feedfence on post	0- 4cm Extension On 2.5" (76mm)
2	5530-7902-007		Mountingset feedfence	End Support For Tube 2.5" (76mm)
3	5530-1907-089		Universal angle iron with slotholes	L=294cm 65x50x6 mm

Other fasteners see chapter accessories

Posts

Fig.	Part number	Note	Description	Size/Dimensions
4	5550-2505-170		Support post on workfloor + sleeve/cap	2.5" (76x3.7mm) L=170cm Hgalv.
4	5550-2505-180		Support post on workfloor + sleeve/cap	2.5" (76x3.7mm) L=180cm Hgalv.
4	5550-3000-122		Support post on workfloor + sleeve/cap	3" (89x4.1mm) L=170cm Hgalv.
4	5550-3000-123		Support post on workfloor + sleeve/cap	3" (89x4.1mm) L=180cm Hgalv.
	5580-4512-081	4x per post	Anchor bolt express	M10x 70mm 1-clip Hgalv.
5	5550-2500-185		Support post in floor + sleeve/cap	2.5" (76x3.7mm) L=185cm Hgalv.
5	5550-3000-120		Support post in floor + sleeve/cap	3" (89x4.1mm) L=185cm Hgalv.

Accessories

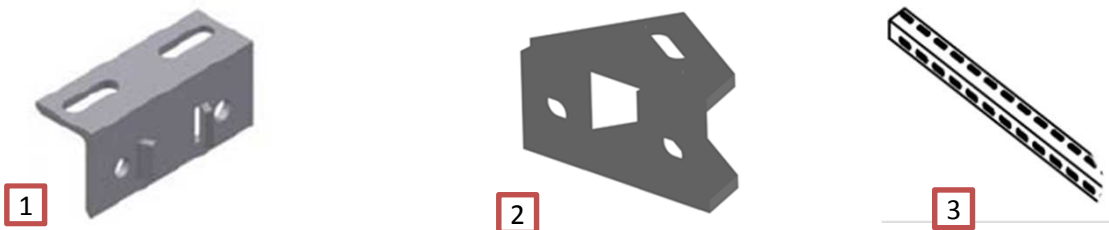
Fig.	Part number	Note	Description	Size/Dimensions
	5530-1105-000		Door set diagonal feed fence	For 1.5" (48mm) Tubes
	5530-1105-002		Door set diagonal feed fence	For 2" (60mm) tubes
	5530-2060-006		Support Wheel	For 1" (34mm) L=95cm
	5530-1906-013		Board strip	Including 1.5" (48mm) Strap
	5530-1906-015		Board strip	Including 2" (60mm) Strap

Diagonal feed fence

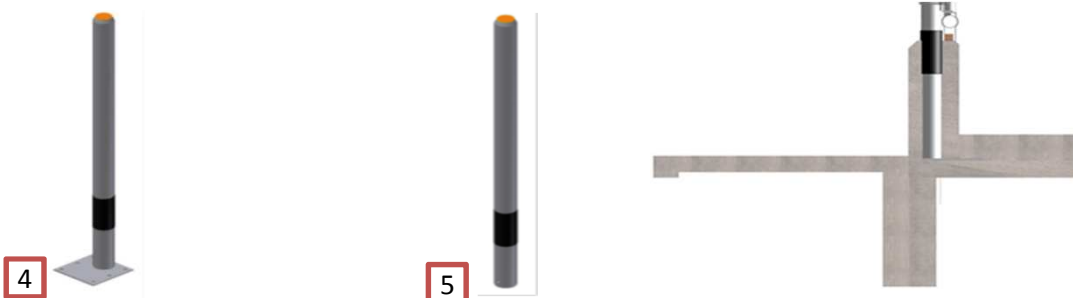


A	B
88 cm	30 cm
C	D
145 cm	62 cm

Only suitable for



Posts							
Feed Fence Livestock							
	Wall height (from walking alley)	Support post on workfloor PREFABFLOOR (+>12)		Support post on workfloor BASEMENT WALL (+ 20)		Support post in floor	
		2,5"	3"	2,5"	3"	2,5"	3"
	max. 55cm	170 cm	170 cm	180 cm	180 cm	185 cm	185 cm
Note! At maximum wall height the feedingalley height is 15 to 20 cm higher than the manure alley							



Feed rails, type Alberta

Feed rails from GEA Farm Technologies are the least expensive option as a divider between the cow and the feed alley. Applicability of these rails depends on the management system used to separate the animals. With an Alberta feed rail system, pivoting of the lower tube is restricted. This prevents pressure spots on the neck.

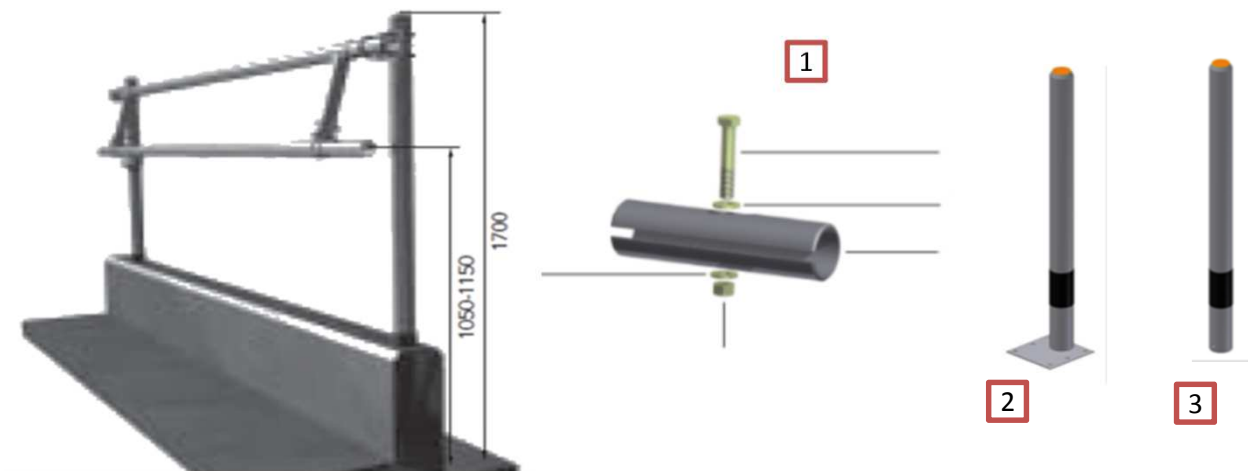


Feed rails, type Alberta

Fig.	Part number	Note	Description	Size/Dimensions
	5510-3335-001	1x per post	Coupling plate with straps	2.5" (76mm) X 2" (60mm)
	5510-3336-001	1x per post	Coupling plate with straps	3" (89mm) x 2" (60mm)
	5510-6040-013		Tube galvanized	2" (60x2.9mm) L=330cm Hgalv.
	5510-6040-036	Alternative	Tube galvanized	2" (60x2.9mm) L=450cm Hgalv.
	5510-6075-118	Alternative	Tube galvanized	2" (60x3.6mm) L=600cm Hgalv.
1	5510-6031-017	Alternative	Tube coupling	2" (60mm) + Bolt
	5510-2566-000		Cap	2" (60mm) Grey
	5530-1130-003		Feedtubebracket + grease nipple	For Alberta Feed Tubes
	5530-1130-004		Chain and buffer for Alberta feedbar	
A lower rail is required when the bottom wall is 50 cm high or lower.				
	5510-3335-001		Coupling plate with straps	2.5" (76mm) X 2" (60mm)
	5510-3336-001		Coupling plate with straps	3" (89mm) x 2" (60mm)
	5510-1967-000		Cross Clamp	2" x2.5" (60x76mm) + Bolts
	5510-1676-000		T-Clamp	2.5" x2" (76x60mm) + Bolt

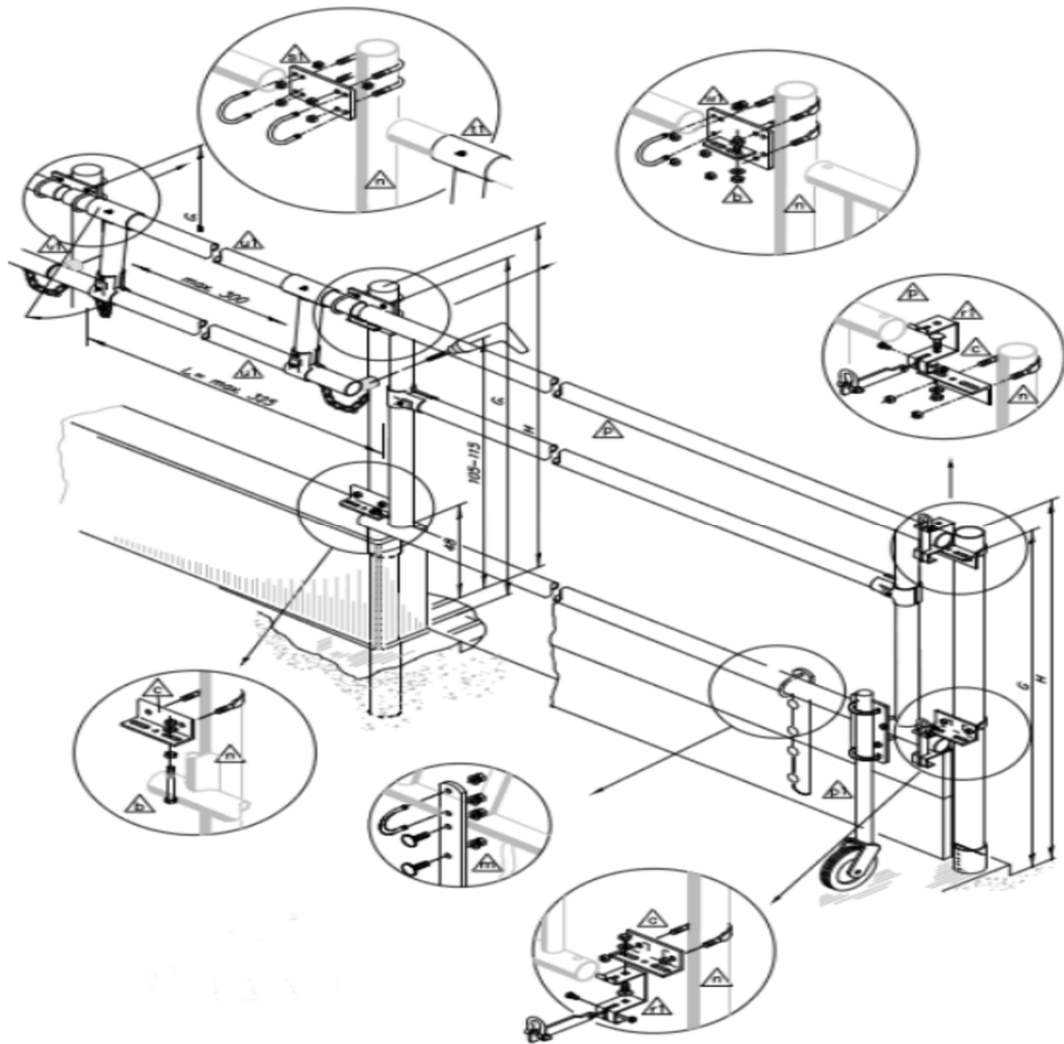
Posts

Fig.	Part number	Note	Description	Size/Dimensions
2	5550-2505-200		Support post on workfloor + sleeve/cap	2.5" (76x3.7mm) L=200cm Hgalv.
2	5550-3000-124		Support post on workfloor + sleeve/cap	3" (89x4.1mm) L=200cm Hgalv.
	5580-4512-081	4x per post	Anchor bolt express	M10x 70mm 1-clip Hgalv.
3	5550-2500-200		Support post in floor + sleeve/cap	2.5" (76x3.7mm) L=200cm Hgalv.
3	5550-3000-121		Support post in floor + sleeve/cap	3" (89x4.1mm) L=200cm Hgalv.



Feed rails, type Alberta

Alberta



Calculation method Alberta feed rails

Every support post: 1x coupling plate with threaded strap

Every support post: 1x chain and rubber band

Every segment: 1 lower rail (length 60 mm), 1 hinge tube with 2 end caps, at least 2 hinge elements.

Maximum distance between hinge elements is 300 cm

Attention! The height of the support posts is at least 1.70 metres about the standing height of the cows
It is better not to use any coupling elements in the moveable pipe sections

Posts							
Feed Fence Livestock							
	Wall height (from walking alley)	Support post on workfloor PREFABFLOOR (+>12)		Support post on workfloor BASEMENT WALL (+ 20)		Support post in floor	
		2,5"	3"	2,5"	3"	2,5"	3"
	max. 55cm	170 cm	170 cm	180 cm	180 cm	185 cm	185 cm
Note! At maximum wall height the feedingalley height is 15 to 20 cm higher than the manure alley							

Feed rails

Feed rails from GEA Farm Technologies are the least expensive option as a divider between the cow and the feed alley. Applicability of these rails depends on the management system used to separate the animals.

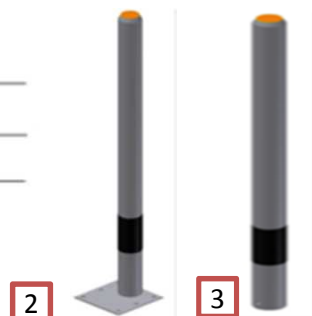
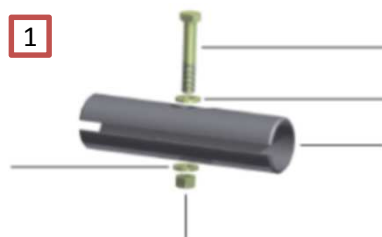
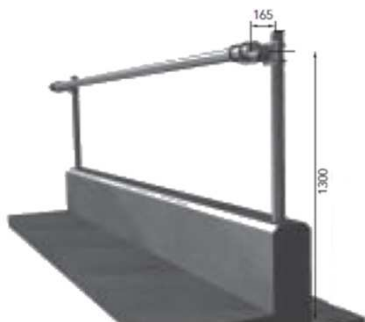


Feed rails

Fig.	Part number	Note	Description	Size/Dimensions
	5510-3338-002	1x per post	Distance holder support post - feed bar	2.5"(76mm) - 2"(60mm) L=16,5cm
	5585-1610-065	2x	Wire bracket + Lock Nuts	2" (60mm) M10x 93 Duplex
	5585-1610-085	2x	Wire bracket + Lock Nuts	2.5" (76mm) M10x105 Duplex
	5510-3338-000	1x per post	Distance holder support post - feed bar	90-114 mm - 2"(60mm) L=16,5cm
	5585-1610-065	2x	Wire bracket + Lock Nuts	2" (60mm) M10x 93 Duplex
	5585-1612-015	2x	Wire bracket + Lock Nuts	3" (89mm) M12x124 Duplex
	5585-1612-025	2x	Wire bracket + Lock Nuts	4" (114mm) M12x155 Duplex
	5510-6040-013	Alternative	Tube galvanized	2" (60x2.9mm) L=330cm Hgalv.
Option Column Mount				
	5510-3338-015	1x per post	Distance holder support post - feed bar	2.5"(76mm) - 2"(60mm) L= 9 cm
	5585-1610-065		Wire bracket + Lock Nuts	2" (60mm) M10x 93 Duplex
	5585-2510-040	2x	Hex Head Bolt, Full thread	M10x 40mm Duplex
	5585-1110-005	2x	Hexagon Lock Nut	M10 Duplex NYLOC
	5510-6075-118	Alternative	Tube galvanized	2" (60x3.6mm) L=600cm Hgalv.
1	5510-6031-017	Alternative	Tube coupling	2" (60mm) + Bolt
The attachment of the neck rails (top) 2" (60 mm) directly to support poles is done with coupling plates, as is installation of the lower rail.				
A lower rail is required when the bottom wall is 50 cm high or lower.				
	5510-3335-001		Coupling plate with straps	2.5" (76mm) X 2" (60mm)
	5510-3336-001		Coupling plate with straps	3" (89mm) x 2" (60mm)
	5510-3336-002		Coupling plate with straps	3,5" (101mm) X 2" (60mm)
	5510-1967-000	Alternative	Cross Clamp	2" x2.5" (60x76mm) + Bolts
	5510-1676-000	Alternative	T-Clamp	2.5" x2" (76x60mm) + Bolt

Posts

Fig.	Part number	Note	Description	Size/Dimensions
2	5550-2505-170		Support post on workflow + sleeve/cap	2.5" (76x3.7mm) L=170cm Hgalv.
2	5550-2505-180		Support post on workflow + sleeve/cap	2.5" (76x3.7mm) L=180cm Hgalv.
2	5550-3000-122		Support post on workflow + sleeve/cap	3" (89x4.1mm) L=170cm Hgalv.
2	5550-3000-123		Support post on workflow + sleeve/cap	3" (89x4.1mm) L=180cm Hgalv.
	5580-4512-081	4x per post	Anchor bolt express	M10x 70mm 1-clip Hgalv.
3	5550-2500-185		Support post in floor + sleeve/cap	2.5" (76x3.7mm) L=185cm Hgalv.
3	5550-3000-120		Support post in floor + sleeve/cap	3" (89x4.1mm) L=185cm Hgalv.



Feed fence with 3 horizontal tubes



Feed fence with 3 horizontal tubes

Fig.	Part number	Note	Description	Size/Dimensions
	5530-1120-000		Feed fence with 3 horizontal bars	195cm + Fixings
	5530-1120-002		Feed fence with 3 horizontal bars	260cm + Fixings
	5530-1120-005		Feed fence with 3 horizontal bars	325cm + Fixings
	5530-1120-022		Feed fence with 3 horizontal bars	440cm + Fixings
	5530-1105-002	1x	Door set diagonal feed fence	For 2" (60mm) tubes
	5530-2060-002	1x	Support wheel	> 150 cm
	5530-1906-015	3x	Board strip	Including 2" (60mm) Strap
	5530-1906-004		Mountingset feedfence on post	0- 4cm Extension On 2.5" (76mm)
	5530-1906-021		Mountingset feedfence on post	0- 4cm Extension On 3" (89mm)
	5530-7902-007		Mountingset feedfence	End Support For Tube 2.5" (76mm)

Other fasteners see chapter accessories



Accessories feed fences

Posts

Fig.	Part number	Note	Description	Size/Dimensions
	5550-2505-160		Support post on workfloor + sleeve/cap	2.5" (76x3.7mm) L=160cm Hgalv.
	5550-2505-170		Support post on workfloor + sleeve/cap	2.5" (76x3.7mm) L=170cm Hgalv.
	5550-2505-180		Support post on workfloor + sleeve/cap	2.5" (76x3.7mm) L=180cm Hgalv.
	5550-2505-200		Support post on workfloor + sleeve/cap	2.5" (76x3.7mm) L=200cm Hgalv.
	5580-4512-081	4x per post	Anchor bolt express	M10x 70mm 1-clip Hgalv.
	5550-3000-122		Support post on workfloor + sleeve/cap	3" (89x4.1mm) L=170cm Hgalv.
	5550-3000-123		Support post on workfloor + sleeve/cap	3" (89x4.1mm) L=180cm Hgalv.
	5550-3000-124		Support post on workfloor + sleeve/cap	3" (89x4.1mm) L=200cm Hgalv.
	5580-4512-081	4x per post	Anchor bolt express	M10x 70mm 1-clip Hgalv.
	5550-2500-175		Support post in floor + sleeve/cap	2.5" (76x3.7mm) L=175cm Hgalv.
	5550-2500-185		Support post in floor + sleeve/cap	2.5" (76x3.7mm) L=185cm Hgalv.
	5550-2500-200		Support post in floor + sleeve/cap	2.5" (76x3.7mm) L=200cm Hgalv.
	5550-3000-120		Support post in floor + sleeve/cap	3" (89x4.1mm) L=185cm Hgalv.
	5550-3000-121		Support post in floor + sleeve/cap	3" (89x4.1mm) L=200cm Hgalv.

Repair kit support posts

Fig.	Part number	Note	Description	Size/Dimensions
1	5550-0400-001		Jacket Tube	35cm 3" (89mm) For 2.5"
Warning! Extension pieces cannot be used for rounded 2.5" (60 mm) stall stanchions				
	5550-1909-000		Extension support post	2" (60mm) L=20cm
	5550-1909-001		Extension support post	2" (60mm) L=30cm
2	5530-1910-001		Extension support post	2.5" (76mm) L=30cm
	5530-7190-000		Repair tube	For 2" (60mm) L=42cm
3	5530-7190-001		Repair tube	For 2.5" (76mm) L=57cm



Caps for tubes

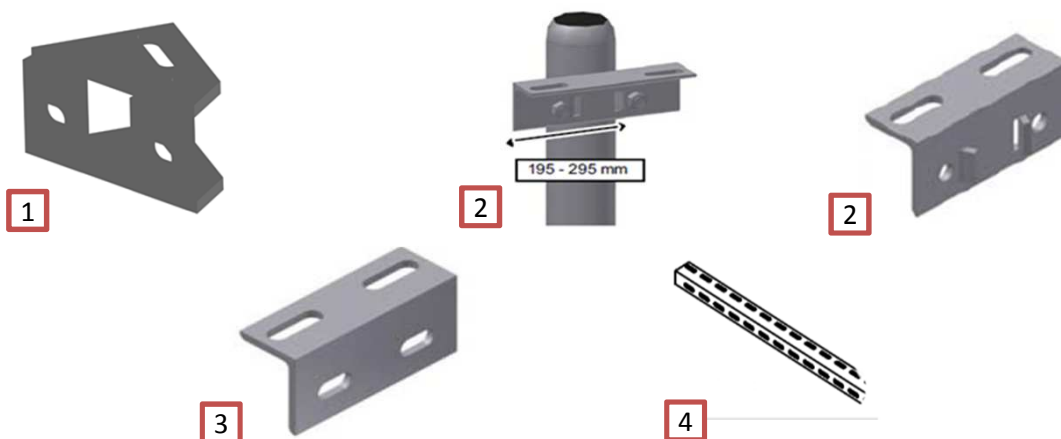
Fig.	Part number	Note	Description	Size/Dimensions
1	5510-2563-000		Cap	1" (34mm) Black
1	5510-2564-001		Cap	1.25" (42mm) Black
2	5510-2565-000		Cap	1.5" (48mm) Grey
2	5510-2566-000		Cap	2" (60mm) Grey
3	5510-2564-004		Cap	2" (60mm) Orange
2	5510-2567-000		Cap	2.5" (76mm) Grey
4	5510-2567-002		Cap	2.5" (76mm) Orange
1	5510-2568-000		Cap	3" (89mm) Black
1	5510-2568-001		Cap	4" (114mm) Black



Accessories feed fences

Fasteners

Fig.	Part number	Note	Description	Size/Dimensions
1 - 4 cm extension				
3	5530-1907-016		Mountingset feedfence on wooden colomn	0- 4cm Extension
2	5530-1906-004		Mountingset feedfence on post	0- 4cm Extension On 2.5"(76mm)
2	5530-1906-021		Mountingset feedfence on post	0- 4cm Extension On 3" (89mm)
2	5530-1907-039		Mountingset feedfence on post	0- 4cm Extension On 3.5"(101mm)
2	5530-1907-043		Mountingset feedfence on post	0- 4cm Extension On 4" (114mm)
5 - 9 cm extension				
3	5530-1907-019		Mountingset feedfence on wooden colomn	5- 9cm Extension
2	5530-1906-006		Mountingset feedfence on post	5- 9cm Extension On 2.5"(76mm)
2	5530-1906-023		Mountingset feedfence on post	5- 9cm Extension On 3" (89mm)
2	5530-1907-040		Mountingset feedfence on post	5- 9cm Extension On 3.5"(101mm)
2	5530-1907-045		Mountingset feedfence on post	5- 9cm Extension On 4" (114mm)
10 - 14 cm extension				
3	5530-1907-021		Mountingset feedfence on wooden colomn	10-14cm Extension
3	5530-1907-023		Mountingset feedfence on wooden colomn	10-14cm Extension Asymmetric
2	5530-1906-008		Mountingset feedfence on post	10-14cm Extension On 2.5"(76mm)
2	5530-1906-025		Mountingset feedfence on post	10-14cm Extension On 3" (89mm)
2	5530-1907-041		Mountingset feedfence on post	10-14cm Extension On 3.5"(101mm)
2	5530-1907-047		Mountingset feedfence on post	10-14cm Extension On 4" (114mm)
15 - 19 cm extension				
3	5530-1907-025		Mountingset feedfence on wooden colomn	15-19cm Extension
2	5530-1906-010		Mountingset feedfence on post	15-19cm Extension On 2.5"(76mm)
2	5530-1906-027		Mountingset feedfence on post	15-19cm Extension On 3" (89mm)
2	5530-1907-042		Mountingset feedfence on post	15-19cm Extension On 3.5"(101mm)
2	5530-1907-049		Mountingset feedfence on post	15-19cm Extension On 4" (114mm)
20 - 24 cm extension				
3	5530-1907-027		Mountingset feedfence on wooden colomn	20-24cm Extension
2	5530-1906-012		Mountingset feedfence on post	20-24cm Extension On 2.5" (76mm)
Various				
1	5530-7902-007		Mountingset feedfence	End Support For Tube 2.5" (76mm)
4	5530-1907-089		Universal angle iron with slotholes	L=294cm 65x50x6 mm



Accessories feed fences

Nitrobur protective sleeve

Fig.	Part number	Note	Description	Size/Dimensions
1	5580-4015-000		Protective sleeve	For 1.5" (48mm) Tubes
1	5580-4016-000		Protective sleeve	For 2" (60mm) Tubes
1	5580-4017-000		Protective sleeve	For 2.5" (76mm) Tubes
1	5580-4018-000		Protective sleeve	For 3" (89mm) Tubes
1	5580-4019-000		Protective sleeve	For 4" (114mm) Tubes



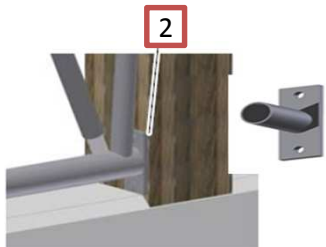
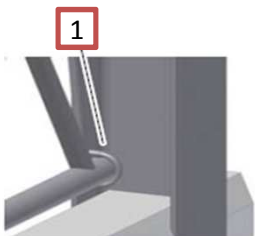
Bow Brackets

Fig.	Part number	Note	Description	Size/Dimensions
1	5550-5210-001		Bow bracket	1" (34mm)
1	5530-9630-002		Bow bracket	1.5" (48mm)
1	5530-9630-003		Bow bracket	2" (60mm)
1	5550-5225-001		Bow bracket	2.5" (76mm)
1	5530-9630-005		Bow bracket	3" (89mm)



Attachment elements for attachment to trusses

Fig.	Part number	Note	Description	Size/Dimensions
1	5585-1610-070		Wire bracket + Lock Nuts	2" (60mm) M10x 99 Duplex
2	5550-6039-002		Wallbracket for bar fixed	2 (60mm)
3	5530-4285-000		Set wall brackets for feedfences	(excl Bouten,prijs/stel)



Drop pipes

Fig.	Part number	Note	Description	Size/Dimensions
1	5530-0240-002		Dropping Pin Stanchion	D=32mm L=160mm

Lift-up neck rail holder

Fig.	Part number	Note	Description	Size/Dimensions
2	5530-7802-002		Hinged head bar bracket	On Feedfence 0.5" Tube
2	5530-7802-003		Hinged head bar bracket	On Feedfence 1" Tube
2	5530-7802-004		Hinged head bar bracket	On Feedbarrier 1.25" Tube
	5510-6075-204		Tube galvanized + thread/socket	1" (34x3.3mm) L=600cm Hgalv.

